

- [Products Top](#)
- [Contact Us](#)
 For inquiries about Fujikura, please click the following
- [Telecommunications](#)
- [Electronics & Auto](#)
 - [Components](#)
 - [Sensor](#)
 - [Wire Harness](#)
 - [Wire harness](#)
 - [Automotive Wire](#)
 - [Relay Connector](#)
 - [FWP Series Connector](#)
 - [FWS Series Connector](#)
 - [FWU Series Connector](#)
 - [FZN Series Connector](#)
 - [FZS Joint Connector](#)
 - [250 Tough Lock](#)
 - [Multi-Terminal Connector](#)
 - [Relay Connector](#)
 - [High Voltage Connector](#)
 - [Injection molding component](#)
 - [Electrical Compo](#)
 - [Electronic Wires](#)
 - [Thermal](#)
 - [Connectors](#)
- [Metal Cable & Systems](#)

Products

"Tsunagu"Technology

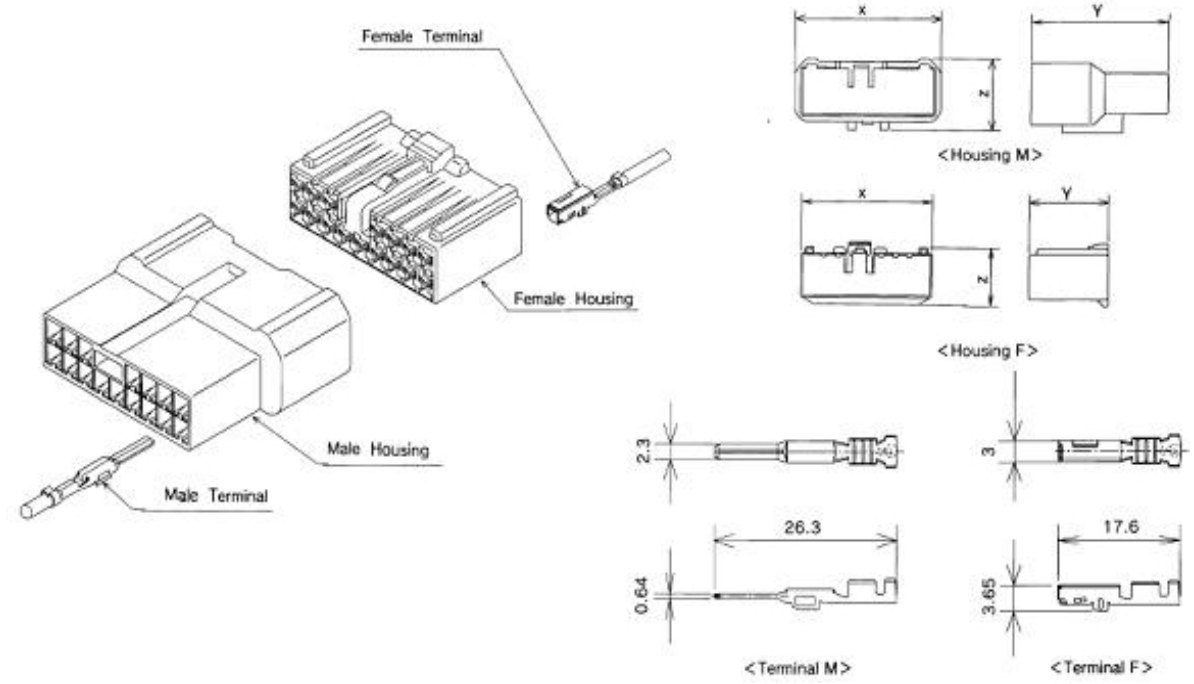
Electronics & Auto

[Specifications](#)

FZN Series Connector



Specifications



?Housing

Housing Type	No of Cavities	Part No.	Dimension			Material	Applicable terminal part No
			X	Y	Z		
Male	2	HM250020N	13.6	38.4	17.8	PBT	TM250100P TM250110P TM250125P
		HM250021B					
	4	HM250040N	22.2	?	18.1		
		HM250041B					
	8	HM250080N	25.4	?	19.5		
		HM250084B					
	12	HM250120N	33.4	?	?		
	16	HM250161L	41.4	?	?		
	20	HM250201N	49.4	?	?		
	24	HM250243N	57.4	?	?		
		HM250244B					
	187:2 090:18	HM249202N HM249202L	55.1	39.7	?		
25	HM250259N	28.5	43.7	37.8			
28	HM250289N	32.5	?	?8			
Female	2	HF250020N	9.0	22.0	13.7	TF250100P TF250110P TF250125P	
		HF250021B					
	4	HF250040N	17.0	?	?		
		HF250041B					
	8	HF250080N	21.0	?	15.6		
		HF250084B					
	12	HF250120N	29.0	?	?		
	16	HF250161N	37.0	?	?		
	20	HF250201N	45.0	?	?		
	24	HF250243N	53.0	?	?		
		HF250244B					
	187:2 090:18	HF249202N HF249202L	50.6	25.0	?		
25	HF250259N	25.1	22.0	37.5			
28	HF250289N	29.1	?	?			

* Last character of Part No. shows its color.
 N:Natural, B:Black, L:Blue

?Terminal

Terminal Type	Cable Size (mm ²)	Part No.	Material	Surface Treatment
Male	S 0.3-0.5	TM250100P	Brass	Tin-plated
	M 0.85-1.25	TM250110P		
	L 1.25-2	TM250125P	Copper-alloy	
Female	S 0.3-0.5	TF250100P	Brass	
	M 0.85-1.25	TF250110P		
	L 1.25-2	TF250125P	Copper-alloy	

?Specification

Contact resistance	3m? max.(Initial)
Insulation resistance	100M? min(DC 500V)
Rated current	10A#(For AVS 1.25sq)

#Reference data.