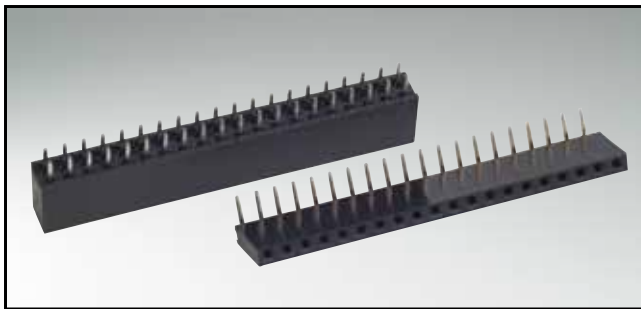


CBL SOCKET CONNECTOR

Straight – one and two row – installation height 8.5 mm



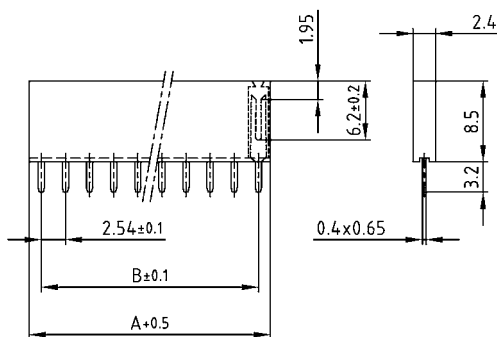
RoHS compliant

DESCRIPTION

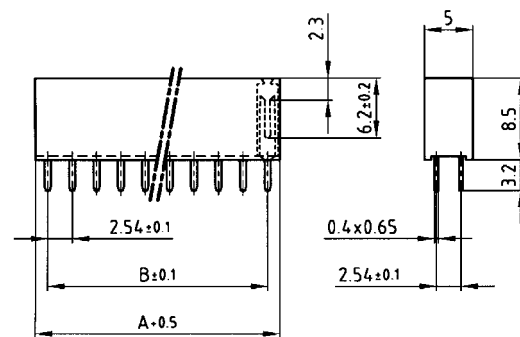
- Solder pin
- Contact spacing 2.54 mm
- One row: 5, 10 and 20 positions
- Two row: 10, 20 and 40 positions
- Further positions on request
- Contact plating: gold plated or tin plated
- Suitable for CSU pin headers

PRODUCT DRAWING

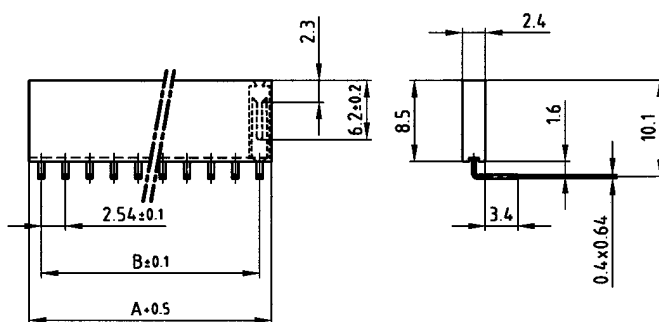
One row straight



Two row straight



One row angled



| No. of Pos. | | A + 0.5 | B ± 0.1 |
|-------------|---------|---------|-------------------|
| one row | two row | | |
| 5 | 10 | 12.7 | 4 x 2.54 = 10.16 |
| 10 | 20 | 25.4 | 9 x 2.54 = 22.86 |
| 20 | 40 | 50.8 | 19 x 2.54 = 48.26 |

ORDER DATA

(Dim. = mm)

| ONE ROW – STRAIGHT | | |
|--------------------|---------------|---------------|
| No. of Pos. | gold plated | tin plated |
| 5 | 202 A 10109 X | 202 F 10109 X |
| 10 | 202 A 10119 X | 202 F 10119 X |
| 20 | 202 A 10129 X | 202 F 10129 X |

| TWO ROW – STRAIGHT | | |
|--------------------|---------------|---------------|
| No. of Pos. | gold plated | tin plated |
| 10 | 202 A 10169 X | 202 F 10169 X |
| 20 | 202 A 10179 X | 202 F 10179 X |
| 40 | 202 A 10189 X | 202 F 10189 X |

| ONE ROW – ANGLED | | |
|------------------|---------------|---------------|
| No. of Pos. | gold plated | tin plated |
| 5 | 202 A 10139 X | 202 F 10139 X |
| 10 | 202 A 10149 X | 202 F 10149 X |
| 20 | 202 A 10159 X | 202 F 10159 X |