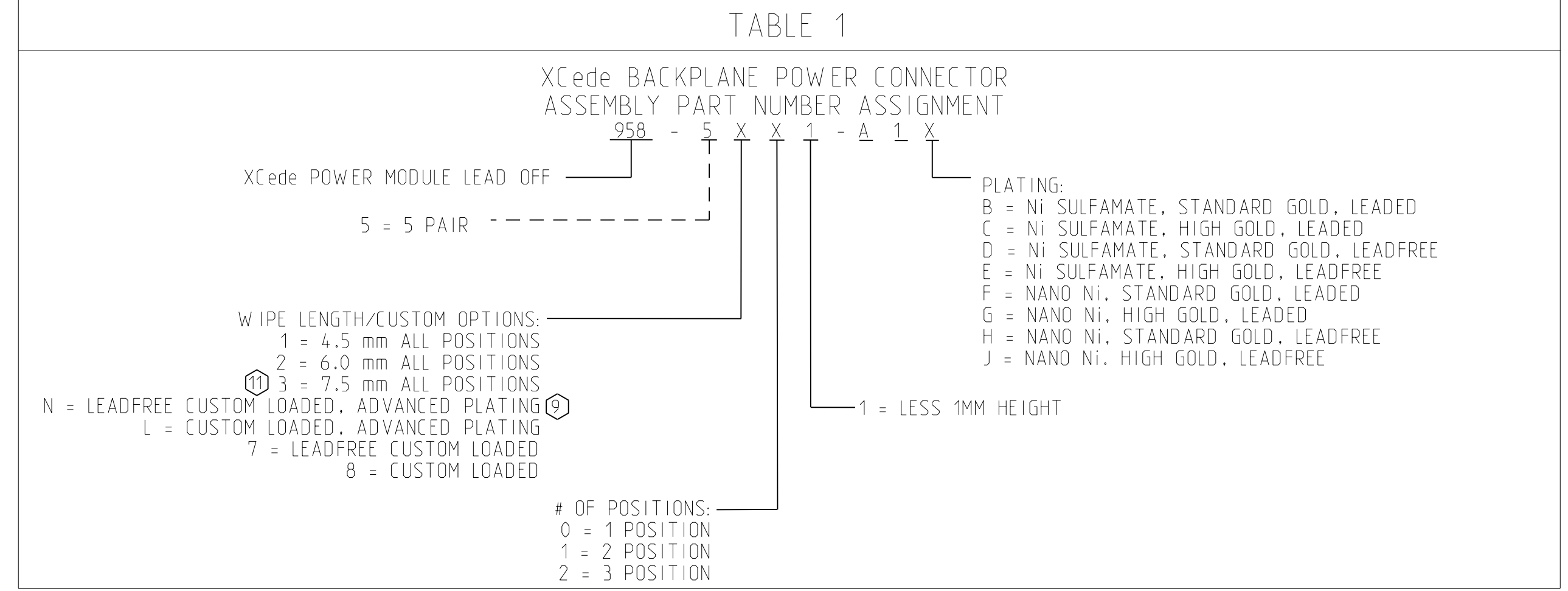
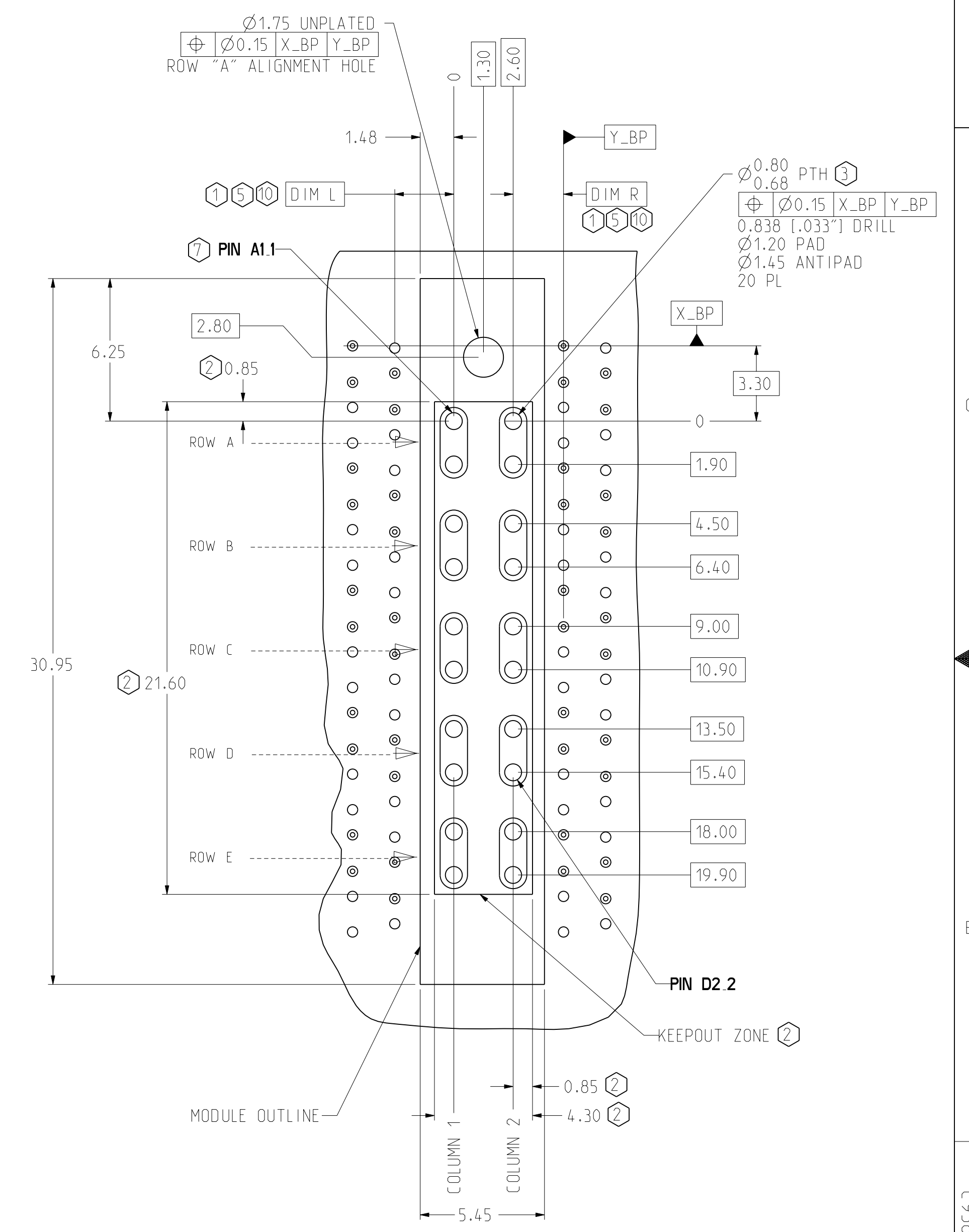
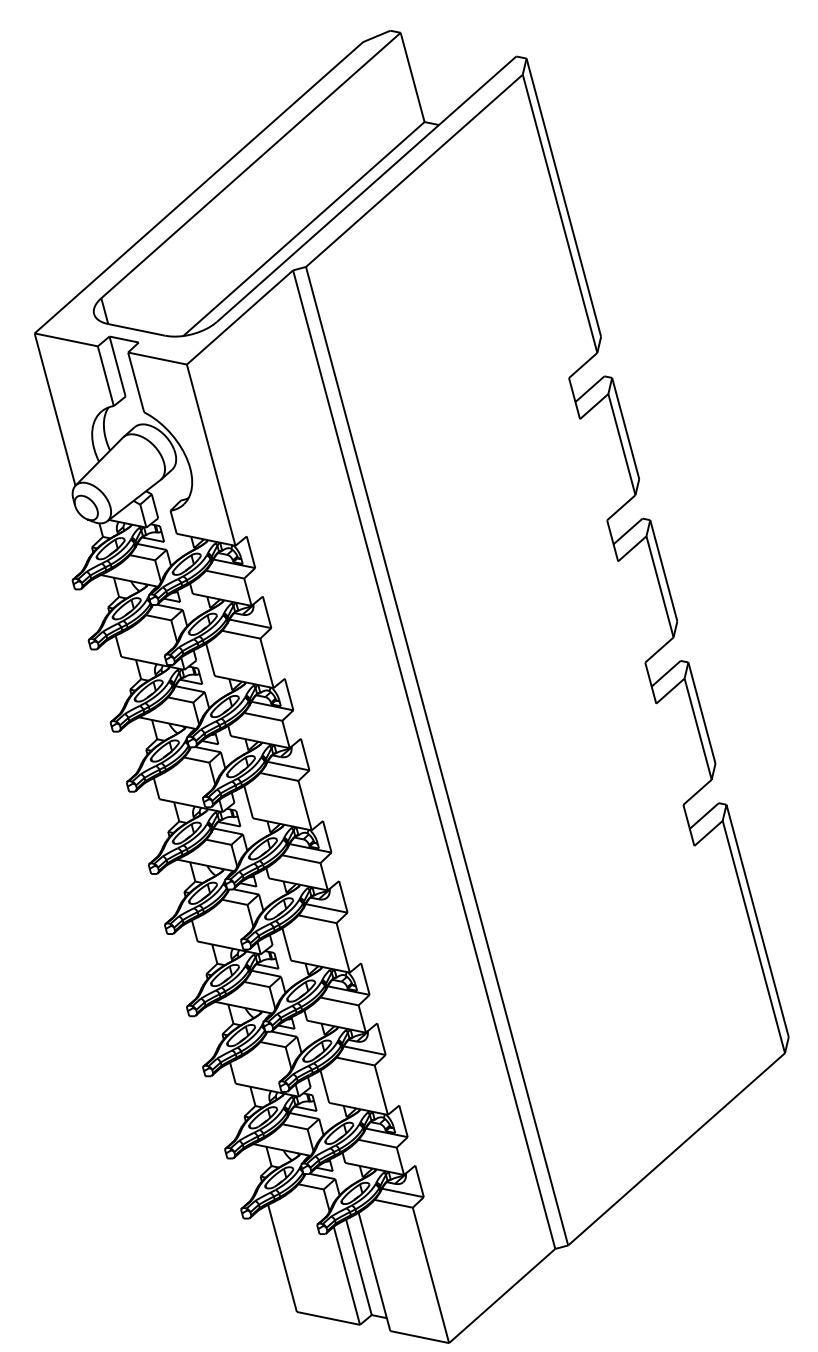
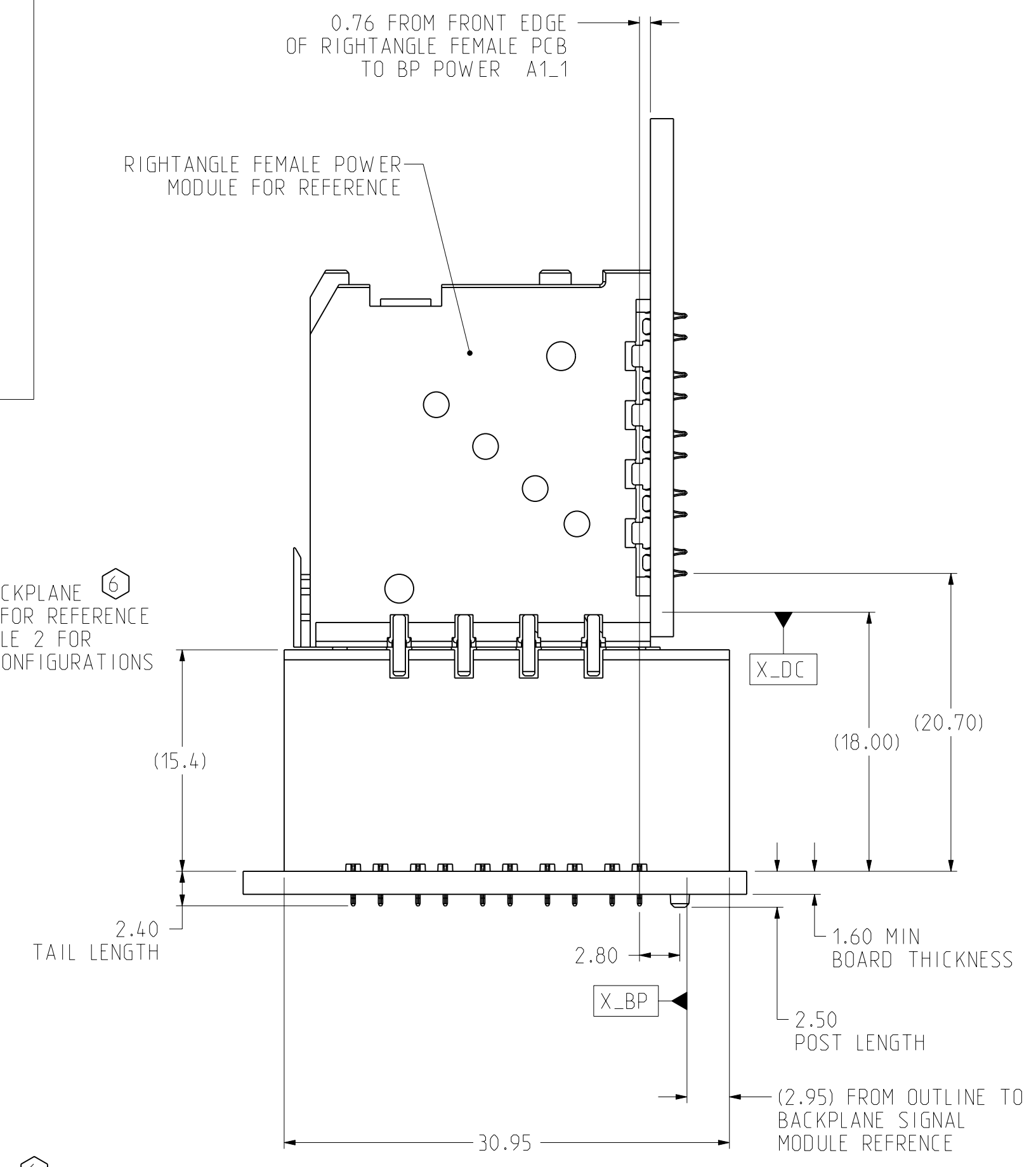
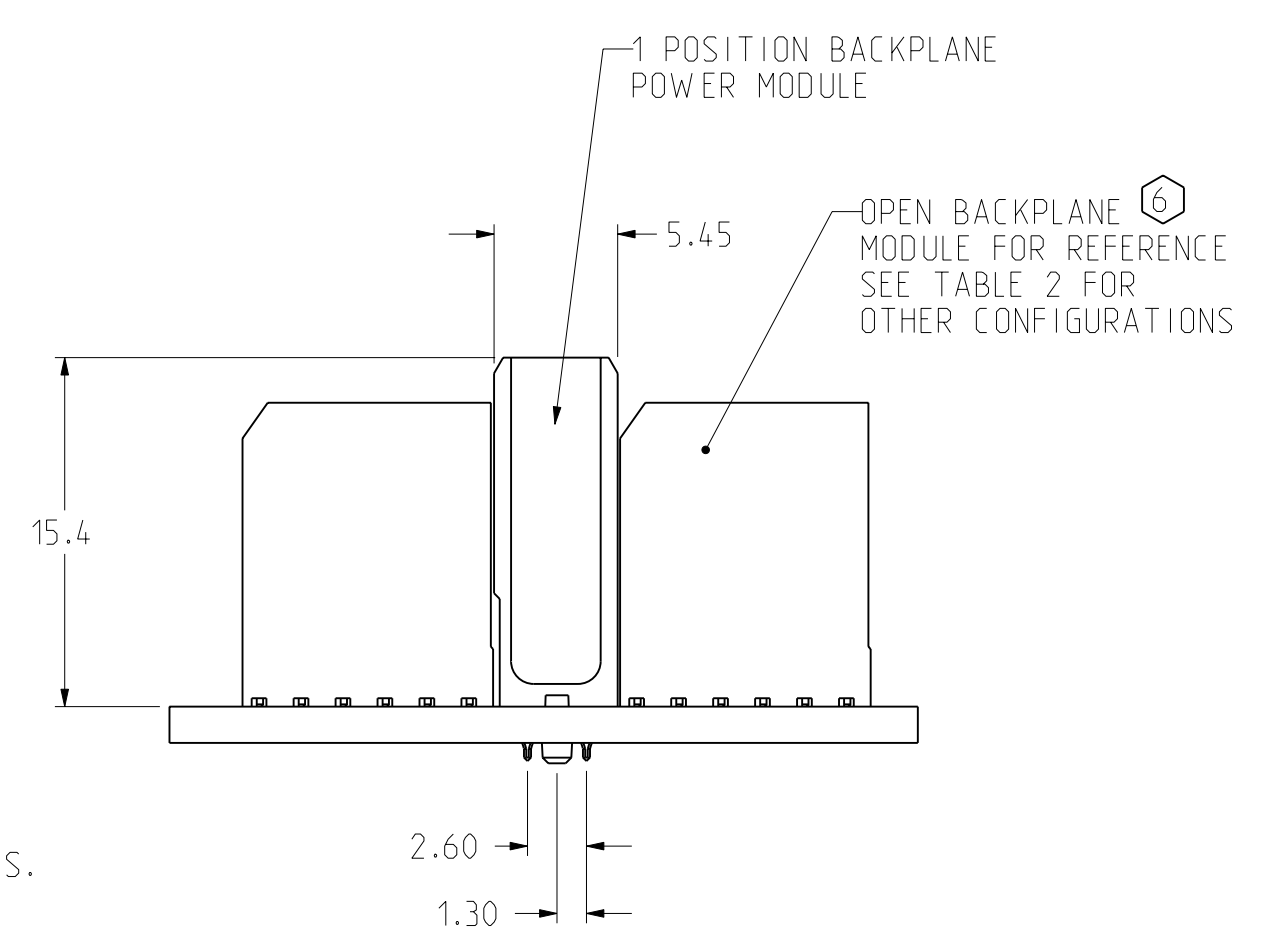
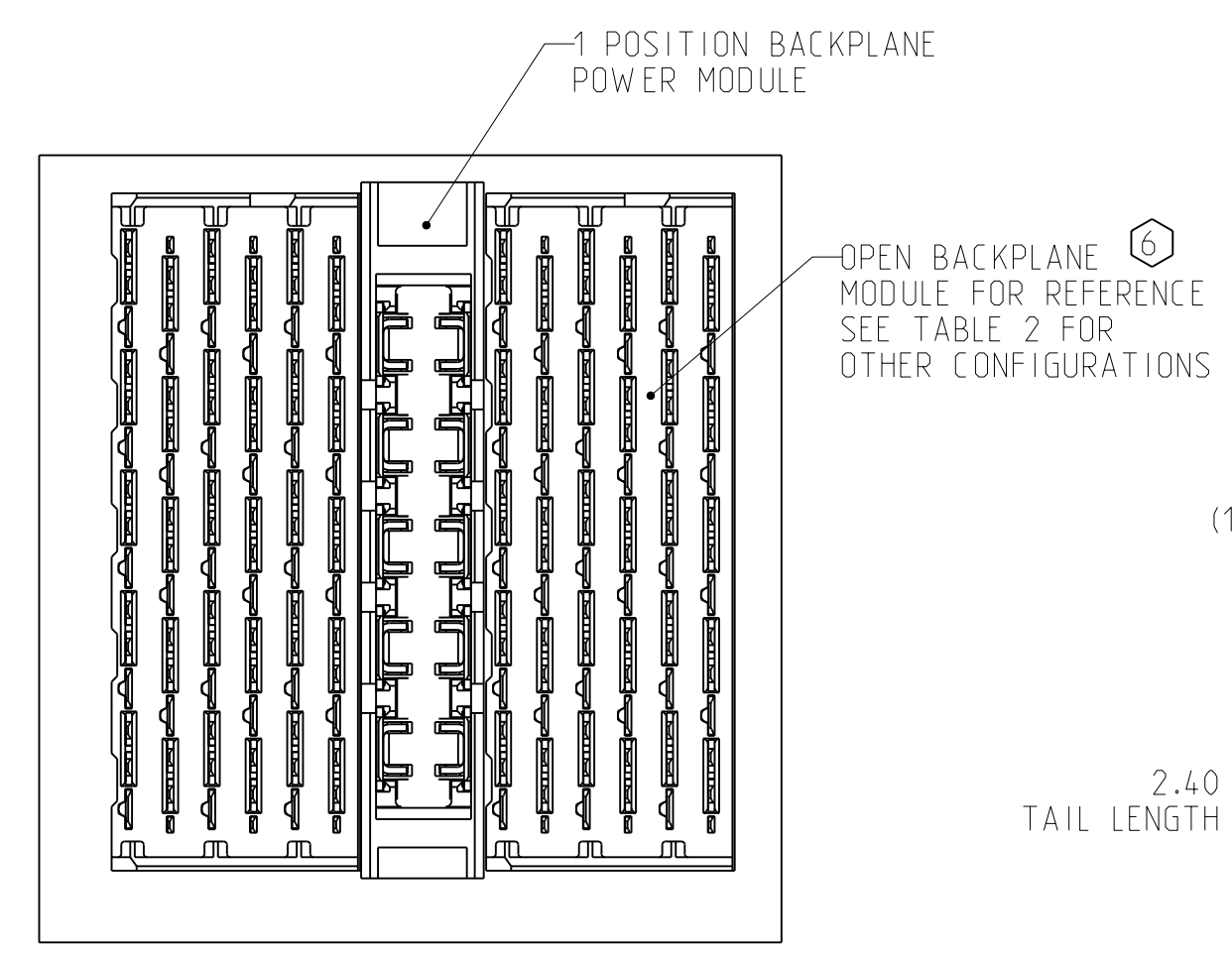


ZONE	REV	SCR NUMBER	DESCRIPTION	BY	DATE	APPROVED
ALL	A	AASY-84QJ48.VER01	NEW RELEASE	HCL-BK	04/19/2010	D.SMITH



### TABLE 2

CONFIGURATION	DIM L	DIM R
OPEN	2.59	2.21
LEFT POLARIZED	2.59	9.61
RIGHT POLARIZED	9.99	2.21
LEFT WALL	2.59	4.06
RIGHT WALL	4.44	2.21
TWO WALL	4.44	4.06



RECOMMENDED BACKPLANE POWER  
1 POSITION HOLE PATTERN  
SCALE 6/1

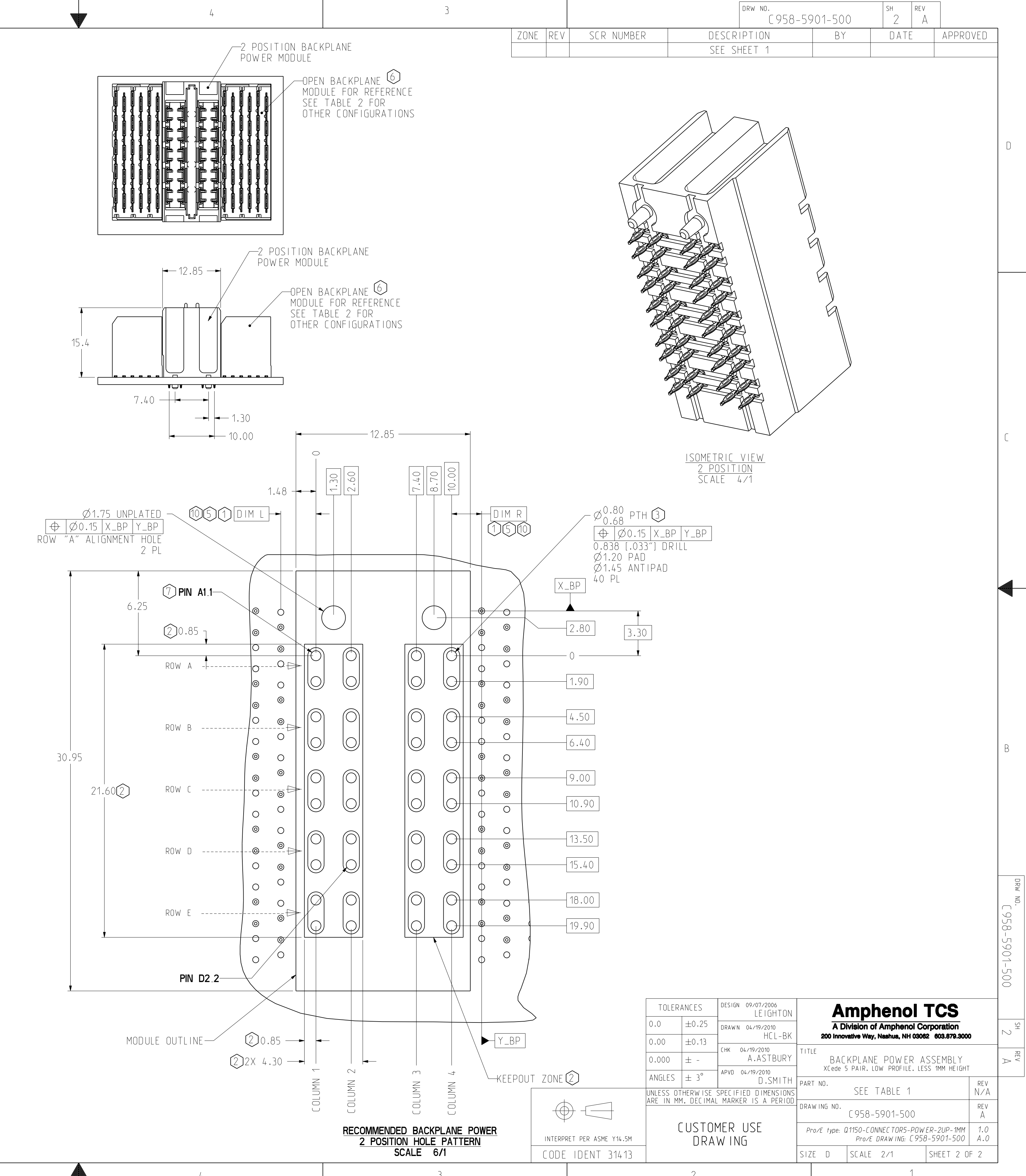
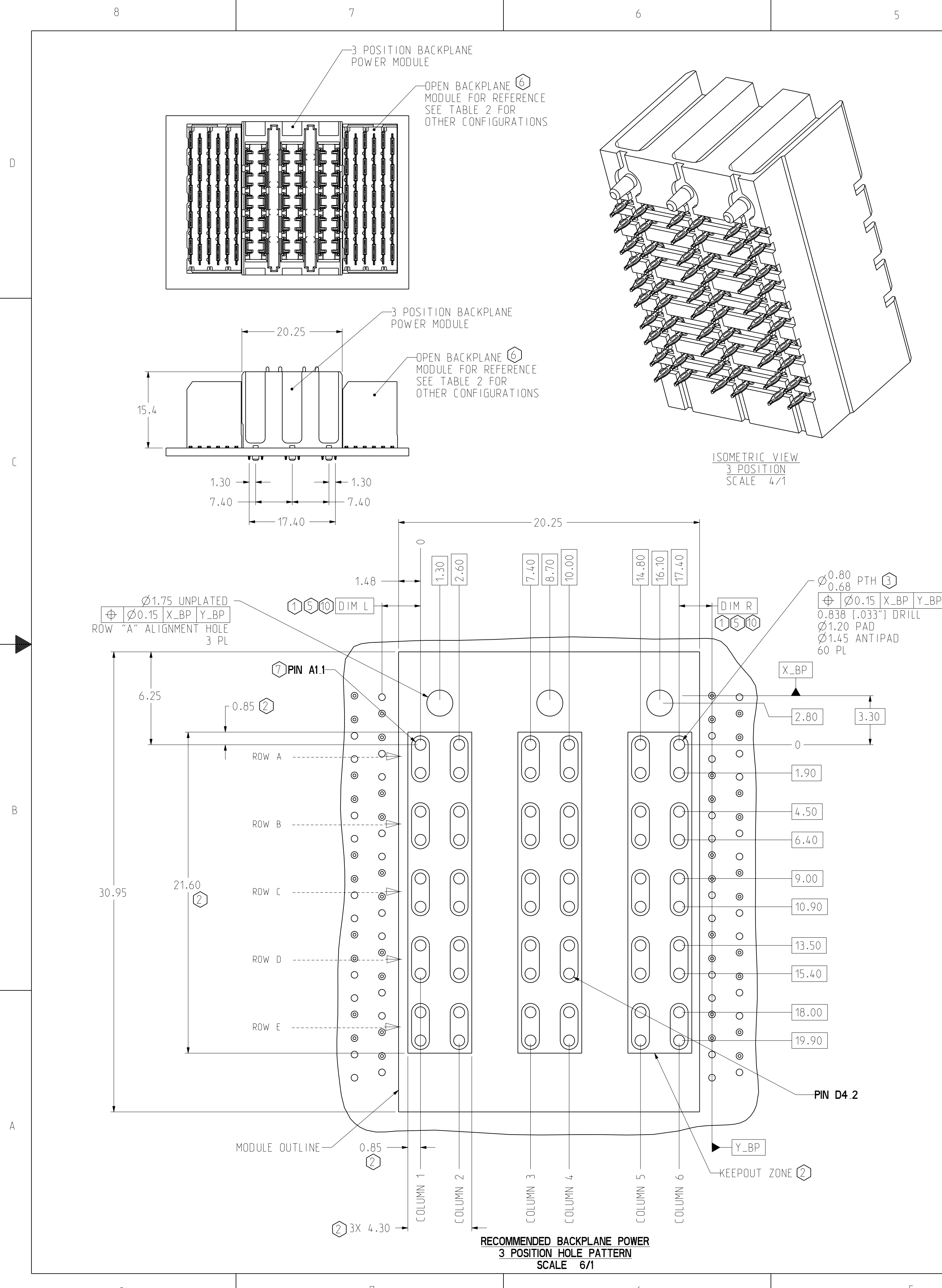
TOLERANCES	DESIGN 02/09/2009 A.ASTBURY	<b>Amphenol TCS</b> A Division of Amphenol Corporation 200 Innovative Way, Nashua, NH 03062 603.879.3000	TITLE	BACKPLANE POWER ASSEMBLY XCede 5 PAIR, LOW PROFILE, LESS 1MM HEIGHT
0.0 ±0.25	DRAWN 04/19/2010 HCL-BK		PART NO.	SEE TABLE 1
0.00 ±0.13	CHK 04/19/2010 A.ASTBURY		DRAWING NO.	C958-5901-500
0.000 ± -	APVD 04/19/2010 D.SMITH		PROJ type: Q1149-BP-BOARD-POWER-5P-3UP	1.4
ANGLES ± 3°	UNLESS OTHERWISE SPECIFIED DIMENSIONS ARE IN MM. DECIMAL MARKER IS A PERIOD	PROJ DRAWING: C958-5901-500	A.O.	
INTERPRET PER ASME Y14.5M CODE IDENT 31413		<b>CUSTOMER USE DRAWING</b>		SIZE D SCALE 4/1 SHEET 1 OF 2

- NOTES
- FOR EACH ADDITIONAL POWER MODULE, ADD 5.55mm FOR 1 POSITION MODULES, 12.95mm FOR 2 POSITION MODULES, OR 20.35mm FOR 3 POSITION MODULES.
  - NO SURFACE TRACES IN KEEP OUT ZONE.
  - STATED PAD SIZE MAY REQUIRE FILLETING. SEE TB-2149 FOR ROUTING GUIDELINES.
  - REFER TO TB-2150 FOR XCede PRODUCT SPECIFICATIONS.
  - WHEN USING ENDCAPS BETWEEN SIGNAL WAFERS AND DC POWER MODULES ADD 1.85mm FOR EACH ENDCAP. VIEW SHOWN WITHOUT ENDCAPS. FOR ENDCAPS THAT ARE USED BETWEEN DC POWER MODULES AND DO NOT PLUG INTO A MULTI-UP BP POWER MODULE, ADD 1.85mm FOR EACH ENDCAP.
  - REFER TO BP CUSTOMER USE DRAWINGS FOR ROW AND COLUMN ASSIGNMENTS.
  - BLADE POSITION A# CONTAINS PINS A#\_1 AND A#\_2.
  - 2 POSITION AND 3 POSITION MODULES WILL ACCEPT DC ENDCAPS BETWEEN DC POWER MODULES WITH NO ADDITIONAL SPACING REQUIRED.
  - IF THE 5TH DIGIT OF THE PART NUMBER IS 5 THRU 8, INDICATING A CUSTOM PART NUMBER, DIGITS 6 THROUGH 10 ARE NOT SIGNIFICANT, AND DO NOT FOLLOW THE PARADIGM IN THIS TABLE.
  - SEE TABLE 2 FOR OFFSET DIMENSION FOR ADJACENT SIGNAL COLUMN OF ALL CONFIGURATIONS.
  - FOR 7.5MM WIPE LENGTH, PLASTIC WALL ABOVE PIN HEIGHT NOT SUFFICIENT TO PROTECT THE PIN FROM TOUCHING THE ARTICULATED FINGER PROBE AS DESCRIBED IN UL 1977, FIGURE 10.1

DRW NO. C958-5901-500

SH 1 REV A

ZONE	REV	SCR NUMBER	DESCRIPTION	BY	DATE	APPROVED
			SEE SHEET 1			



TOLERANCES	DESIGN	DATE	Amphenol TCS	
0.0	±0.25	09/07/2006	A Division of Amphenol Corporation	
0.0	±0.13	LEIGHTON	200 Innovative Way, Nashua, NH 03062 603.879.3000	
0.00	± -	04/19/2010	TITLE BACKPLANE POWER ASSEMBLY	
ANGLES	± 3°	APVD 04/19/2010	XCede 5 PAIR, LOW PROFILE, LESS 9MM HEIGHT	
UNLESS OTHERWISE SPECIFIED DIMENSIONS ARE IN MM. DECIMAL MARKER IS A PERIOD			PART NO.	SEE TABLE 1
INTERPRET PER ASME Y14.5M			DRAWING NO.	C958-5901-500
CODE IDENT 31413			PRO/E TYPE	Q1150-CONNECTORS-POWER-2UP-9MM
CUSTOMER USE DRAWING			PRO/E DRAWING	C958-5901-500
SIZE	D	SCALE	2/1	SHEET 2 OF 2

DRW NO. C958-5901-500

SH 2 REV A