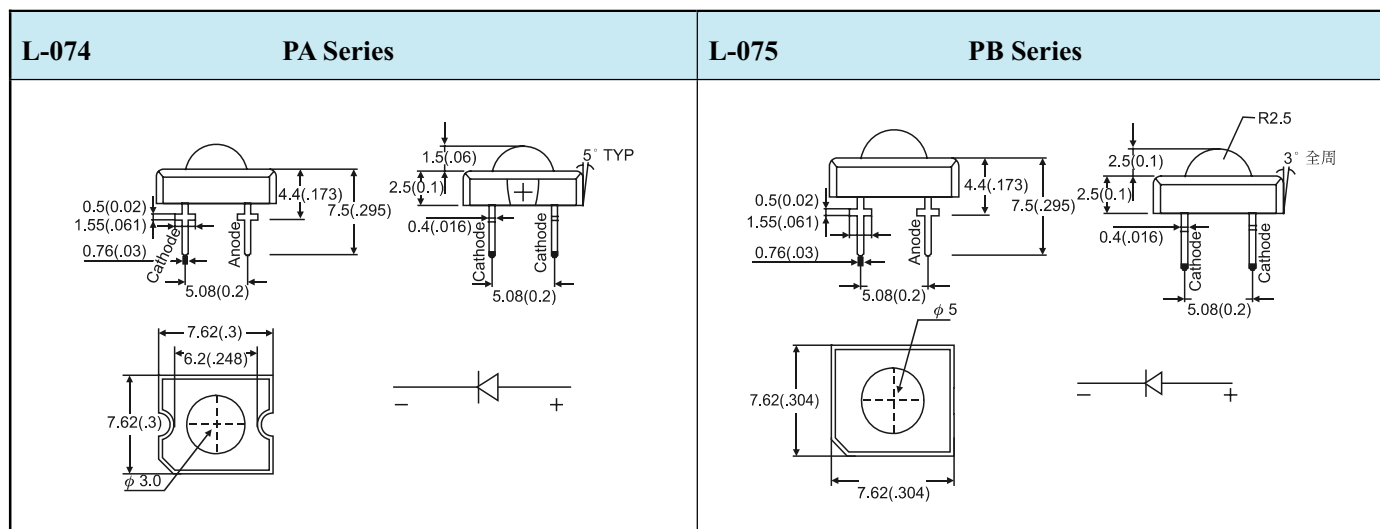


Package	Part No.	Chip		Lens Appearance	Absolute Maximum Ratings				Electro-optical Data (At 30mA)			Viewing Angle 2θ 1/2 (deg)	Drawing No.
		Material/Emitted Color	Peak Wave Length λd (nm)		Δλ (nm)	Pd (mw)	If (mA)	Peak (mA)	Vf (V)		Iv (mcd)		
									Typ	Max	Typ.		
3 φ	1P03S1V23D0CJ301	AlGaInP/Red	622	Water Clear	25	120	50	100	2.25	2.7	1600	60	L-074
	1P03S1V22F0CJ001	AlGaInP/Red	622		25	120	50	100	2.45	2.7	1300	60	
	1P03S1G72E0CJ101	AlGaInP/Green	525		30	120	50	100	3.65	4.5	3200	50	
	1P03S1G73E0CA301	AlGaInP/Green	525		30	120	50	100	3.65	4.5	2400	70	
	1P03S1G62E0CC101	AlGaInP/Green	515		30	120	50	100	3.65	4.5	1300	85	
	1P03S1G62E0CA101	AlGaInP/Green	515		30	120	50	100	3.65	4.5	2500	70	
	1P03S1Y22G0CA301	AlGaInP/Yellow	590		25	120	50	100	2.45	2.6	1900	80	
	1P03S1Y22G0CJ101	AlGaInP/Yellow	590		25	120	50	100	2.45	2.6	3000	60	
	1P03S1Y23E0CJ101	AlGaInP/Yellow	590		25	120	50	100	2.45	2.6	2500	60	
	1P03S1A23D0CA302	AlGaInP/Amber	606		25	120	50	100	2.45	2.6	1200	70	
	1P03S1A23D0CJ301	AlGaInP/Amber	606		25	120	70	100	2.20	2.6	1900	60	
	1P03S1B22E0CC101	InGaN/Blue	475		30	120	50	100	3.65	4.5	800	85	
	1P03S1B14D0CA101	InGaN/Blue	466		30	120	50	100	3.65	4.5	500	70	
	1P03S1B12F0CA101	InGaN/Blue	466		30	120	50	100	3.65	4.5	1000	70	
5 φ	1P05S6V23D0CA101	AlGaInP/Red	622	Water Clear	25	120	70	100	2.25	2.7	650	60	L-075
	1P05S1V24H0CA101	AlGaInP/Red	623		25	120	50	100	2.40	2.7	2300	80	
	1P05S6V22G0CA101	AlGaInP/Red	625		25	120	70	100	2.25	2.7	1800	60	
	1P05S1G72E0CA001	InGaN/Green	525		30	120	50	100	3.65	4.5	2300	80	
	1P05S1Y23E0CA001	AlGaInP/Yellow	590		25	120	70	100	2.45	2.6	1000	80	
	1P05S1Y23E0CB102	AlGaInP/Yellow	590		25	120	70	100	2.45	2.6	4500	30	
	1P05S1Y24G0CB301	AlGaInP/Yellow	590		25	120	50	100	2.2	2.6	6800	30	
	1P05S6A23D0CA101	AlGaInP/Amber	605		25	120	70	100	2.25	2.6	900	60	
Package	Part No.	Chip		Lens Appearance	Absolute Maximum Ratings				Electro-optical Data (At 20mA)			Viewing Angle 2θ 1/2 (deg)	Drawing No.
		Material/Emitted Color	Peak Wave Length λp (nm)		Δλ (nm)	Pd (mw)	If (mA)	Peak (mA)	Vf (V)		Iv (mcd)		
									Typ	Max	Typ.		
5 φ	1P05S1B12E0CB101	InGaN/Blue	466	Water Clear	30	120	30	100	3.2	3.8	2500	30	L-075
	1P05S1B12C0CA101	InGaN/Blue	466		30	120	50	100	3.65	4.5	700	80	
	1P05S1B12E0CA001	InGaN/Blue	466		30	120	35	100	3.65	4.5	780	80	



Notes: 1. All dimensions are in millimeters (inches).
 2. Tolerance is ±0.25mm (.010)mm unless otherwise noted.
 3. Protruded resin under flange is 1.0mm (.04) max.