

## NW7 SERIES

**Bi-polar, 7mm Height**

### ◆FEATURES

•RoHS compliance.

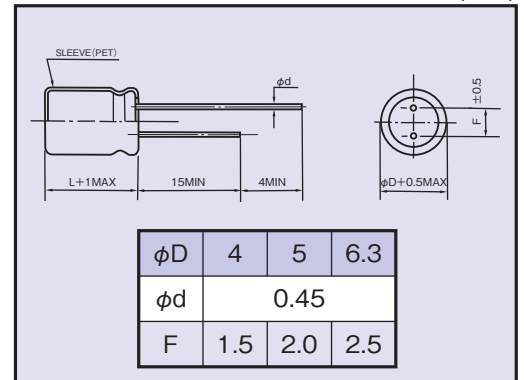


### ◆SPECIFICATIONS

Items	Characteristics							
Category Temperature Range	-40~+85°C							
Rated Voltage Range	6.3~50V.DC							
Capacitance Tolerance	±20% (20°C, 120Hz)							
Leakage Current(MAX)	I=0.05CV or 10μA whichever is greater. (After 5 minutes application of rated voltage)							
	I=Leakage Current(μA) C=Capacitance(μF) V=Rated Voltage(V)							
Dissipation Factor(MAX) (tanδ)	Rated Voltage (V)	6.3	10	16	25	35	50	(20°C, 120Hz)
	tanδ	0.26	0.22	0.18	0.17	0.15	0.14	
Endurance	After applying rated voltage with rated ripple current for 1000hrs at 85°C, (The polarity shall be reversed every 500hrs.), the capacitors shall meet the following requirements.							
	Capacitance Change	Within ±25% of the initial value.						
	Dissipation Factor	Not more than 200% of the specified value.						
	Leakage Current	Not more than the specified value.						
Low Temperature Stability Impedance Ratio(MAX)	Rated Voltage (V)	6.3	10	16	25	35	50	(120Hz)
	Z(-25°C)/Z(20°C)	4	3	3	2	2	2	
	Z(-40°C)/Z(20°C)	10	8	6	4	4	4	

### ◆DIMENSIONS

(mm)



### ◆MULTIPLIER FOR RIPPLE CURRENT

Frequency coefficient

Frequency (Hz)	60(50)	120	500	1k	10k≤	
Coefficient	0.33~1μF	0.50	1.00	1.20	1.30	1.50
	2.2~4.7μF	0.65	1.00	1.20	1.30	1.50
	10~47μF	0.80	1.00	1.20	1.30	1.50

### ◆OPTION

	Code
PET Sleeve	EFC

### ◆STANDARD SIZE

Size φD×L(mm), Ripple Current (mA r.m.s./85°C, 120Hz)

WV (V.DC)	Cap (μF)	Size (φD×L)	Rated Ripple Current
6.3 (0J)	22	5×7	32
	33	5×7	40
	47	6.3×7	56
10 (1A)	10	4×7	23
	22	5×7	35
	33	6.3×7	45
47	6.3×7	65	

WV (V.DC)	Cap (μF)	Size (φD×L)	Rated Ripple Current
16 (1C)	4.7	4×7	18
	10	4×7	25
	22	6.3×7	45
	33	6.3×7	60
	47	6.3×7	65
	25 (1E)	3.3	4×7
4.7		4×7	18
10		6.3×7	35
22		6.3×7	50

WV (V.DC)	Cap (μF)	Size (φD×L)	Rated Ripple Current
35 (1V)	2.2	4×7	13
	3.3	5×7	19
	4.7	5×7	22
	10	6.3×7	37
	0.33	4×7	3
50 (1H)	0.47	4×7	5
	1	4×7	10
	2.2	5×7	15
	3.3	5×7	19
	4.7	6.3×7	26

### ◆PART NUMBER

□□□	NW7	□□□□□	M	□□□	□□	D×L
Rated Voltage	Series	Capacitance	Capacitance Tolerance	Option	Lead Forming	Case Size