

SPECIFICATIONS

Mechanical

Contact Retention Force: 0.51Kg(1.1Lb)min.
Durability: 250 Cycles

Electrical

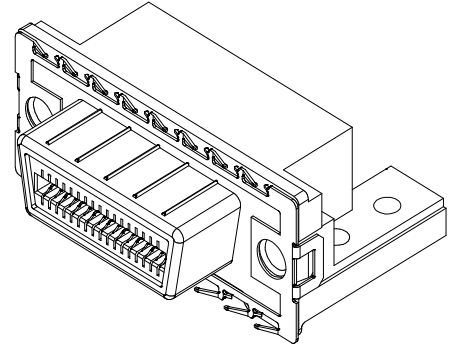
Voltage Rating: 30V
Current Rating: 0.5A
Contact Resistance: 80mΩ
Dielectrical Withstanding Voltage: 500V
Insulation Resistance: 1000MΩ min.

Physical

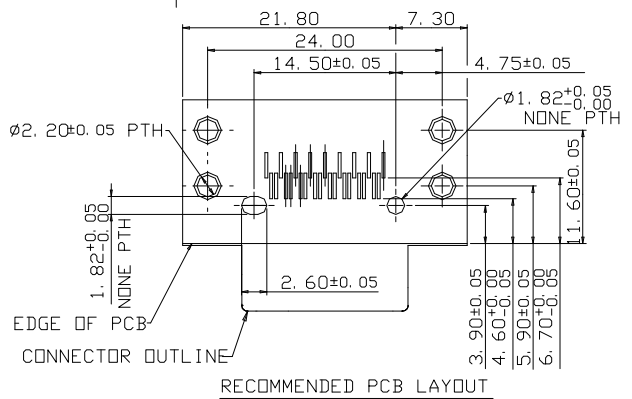
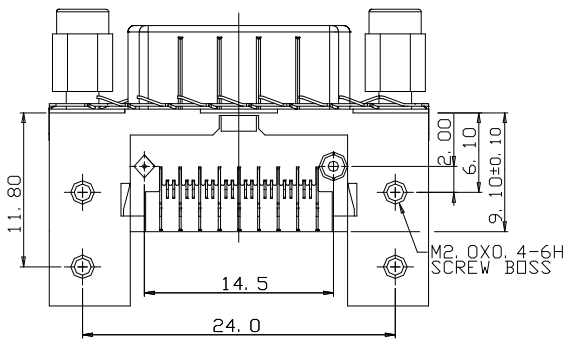
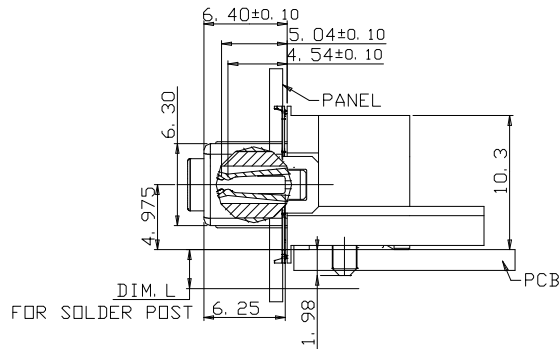
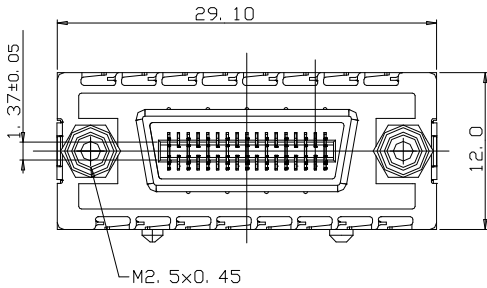
Housing: LCP, UL 94-0, Black
Contact: Phosphor Bronze
Plating: See "ORDERING INFORMATION"
Operating Temperature: -55℃ to +85℃

INFINIBAND CONNECTOR

**2U Series,
 Infiniband 4x screw type,
 0.5mm pitch**



DRAWING



NOTES: WITHOUT NPTH HOLE TO BE FOR 2U1**0*-*****

ORDERING INFORMATION

PRODUCT NO.:

2 U 1 X X X X - 2 X X X - X X

POSITION
25=25POS.

ALIGNMENT PEG TYPE("A")

0=W/O POST
1=FREE FIT POST
2=PRESS FIT POST

PLATING ON CONTACT AREA

3=30u" GOLD PLATING
5=50u" GOLD PLATING
B=GOLD FLASH OVER 20u" Pd/Ni

LOCKING WITH CABLE

2=SCREW

CODING KEY OPTION

0=NONE (STD)

SPECIFIED CODE

N=STANDRAD TYPE
I=W/O EMI GASKET
H=SPECIAL TYPE FOR HUAWEI-3COM

LEAD FREE CODE

N=NONE LEAD FREE
F=LEAD FREE

PACKAGING

1=TAPE AND REEL

BOARD MOUNT

0= 2 SCREW BOSS
7= 4 SCREW BOSS