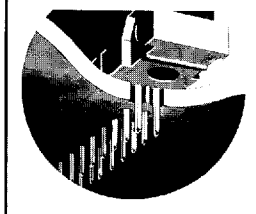
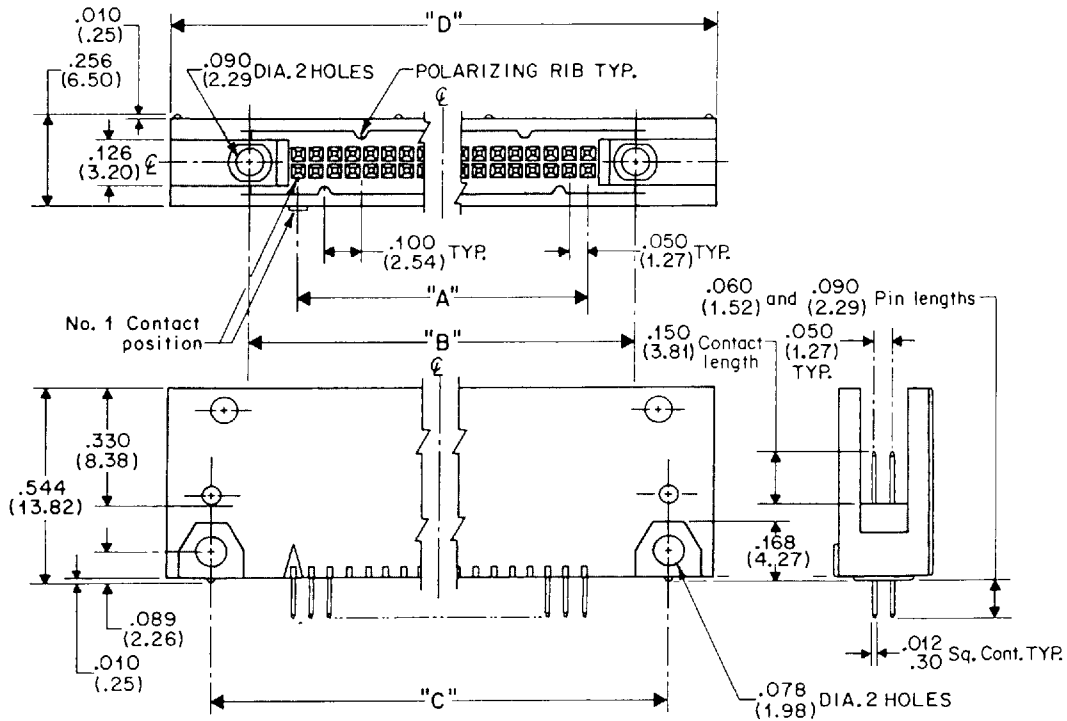


NANO HEADERS— STRAIGHT SOLDER PIN

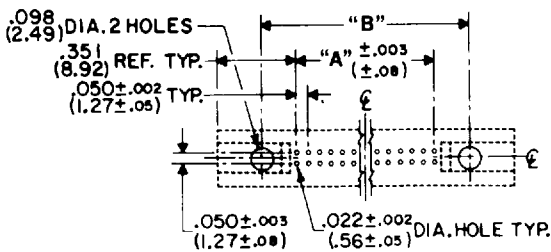
1783950 0001038 T10



Straight Solder Pin Header



RECOMMENDED PC BOARD LAYOUT



DIMENSIONS

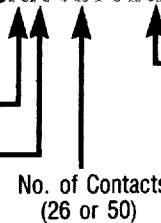
No.Conts.	"A"	"B"	"C"	"D"
26	.600 (15.24)	.860 (21.84)	1.052 (26.72)	1.302 (33.07)
50	1.200 (30.48)	1.460 (37.08)	1.652 (41.96)	1.902 (48.31)

How to Order Nano Solder Pin Headers

- 1 - 1/16" Board Right Angle
- 5 - 1/16" Board Straight
- 7 - 1/32" Board Straight

- 0 - Without Latches
- 1 - With Latches (Standard)*
- 3 - With Latches and Screws* (straight only)

CMH-0XX-XX-XXXX



Plating: 0077 = (Standard)

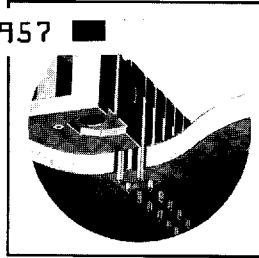
Duplex plated. 30 μ " gold in mating area, 100 μ " tin-lead in solder pin area, all over 50 μ " nickel

0088 = (Optional)

Duplex plated. 10 μ " gold in mating area, 100 μ " tin-lead in solder pin area all over 50 μ " nickel

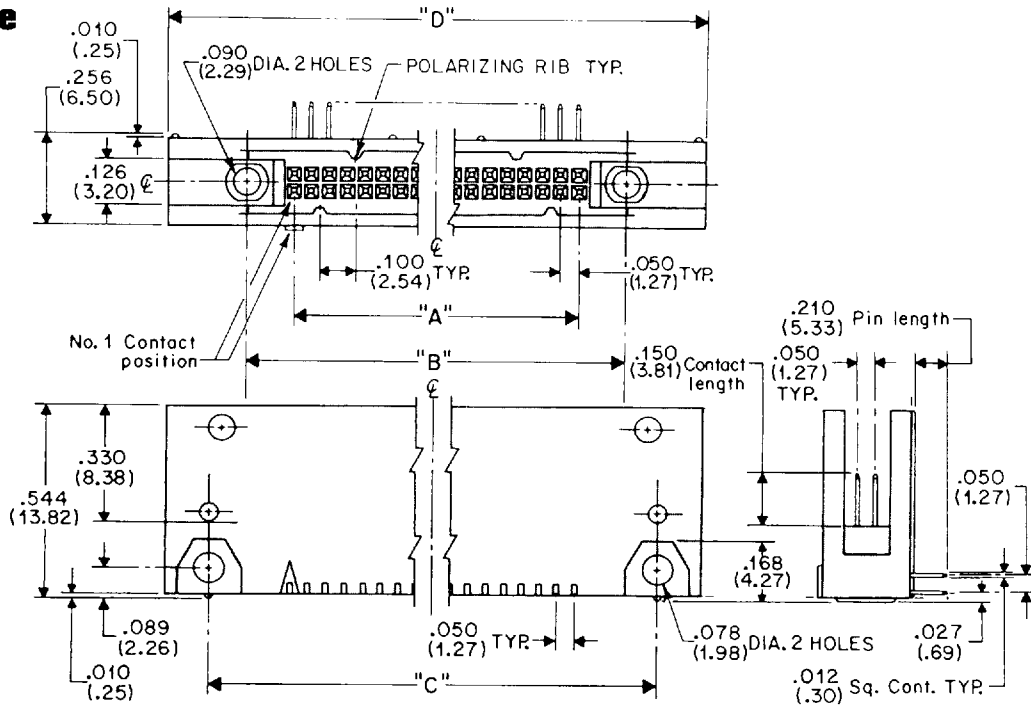
Other platings available — consult factory.

*Factory installed (see page 22).

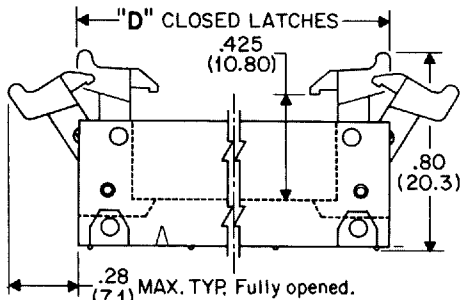


NANO HEADERS— RIGHT ANGLE SOLDER PIN

Right Angle Solder Pin Header

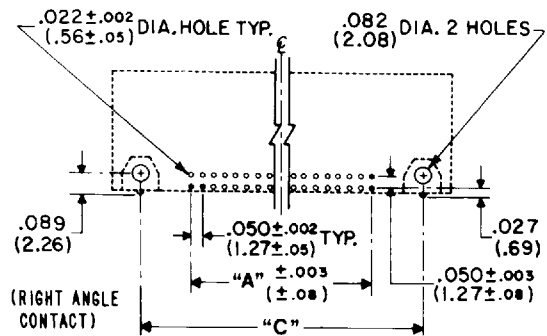


LATCH DIMENSIONS



Due to Nano Connector miniaturization, CW provides latches as standard to insure maximum integrity of the mated pair.

RECOMMENDED PC BOARD LAYOUT



A wide variety of hardware mounting options is available from CW... either factory pre-installed or in kit form for field assembly. See page 22 for complete details.



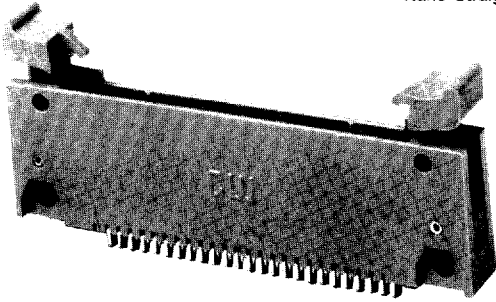
Metal shield enclosures ensure maximum signal integrity and assist in system conformance to FCC regulations. See page 18.

NANO HEADER CONNECTORS

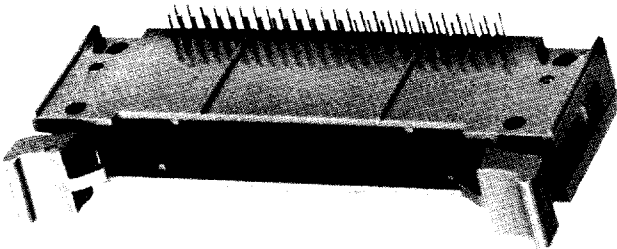
1783950 0001036 148

A-61-05 05

Nano Straight Header



Nano Right Angle Header



Nano Header Connectors are most often permanently mounted to PC boards and mate with Nano Socket Connectors on .050" contact spacing.

Available in both straight and right angle versions for vertical or horizontal mounting, Nano headers offer the designer a wide diversity of circuit design options, including solder pins in various lengths, wire-wrap posts, compliant pins, edgeboard contacts and surface mounting capability.

Polarization ribs are permanently molded into place, eliminating the need for modification or separate piece parts.

Ejection latches provide a secure, positive locking and easy-eject mechanism for Nano Sockets with strain relief.

Optional hardware is also available for both horizontal and vertical mounting to PC boards.

Materials and Operating Standards

Contacts: Copper Alloy
 Contact Plating: Solder-post style: Duplex plated, 30 μ " gold (in mating area) 100 μ ". Tin/Lead on solder tail, all over 50 μ " nickel
 All other styles: Selective plated, 30 μ " gold (in mating area) over 50 μ " nickel
 Insulator Material: UL 94V-0 flame retardant, glass-reinforced thermoplastic*

Color: Blue*

Operating Temperature: -55°C to +125°C

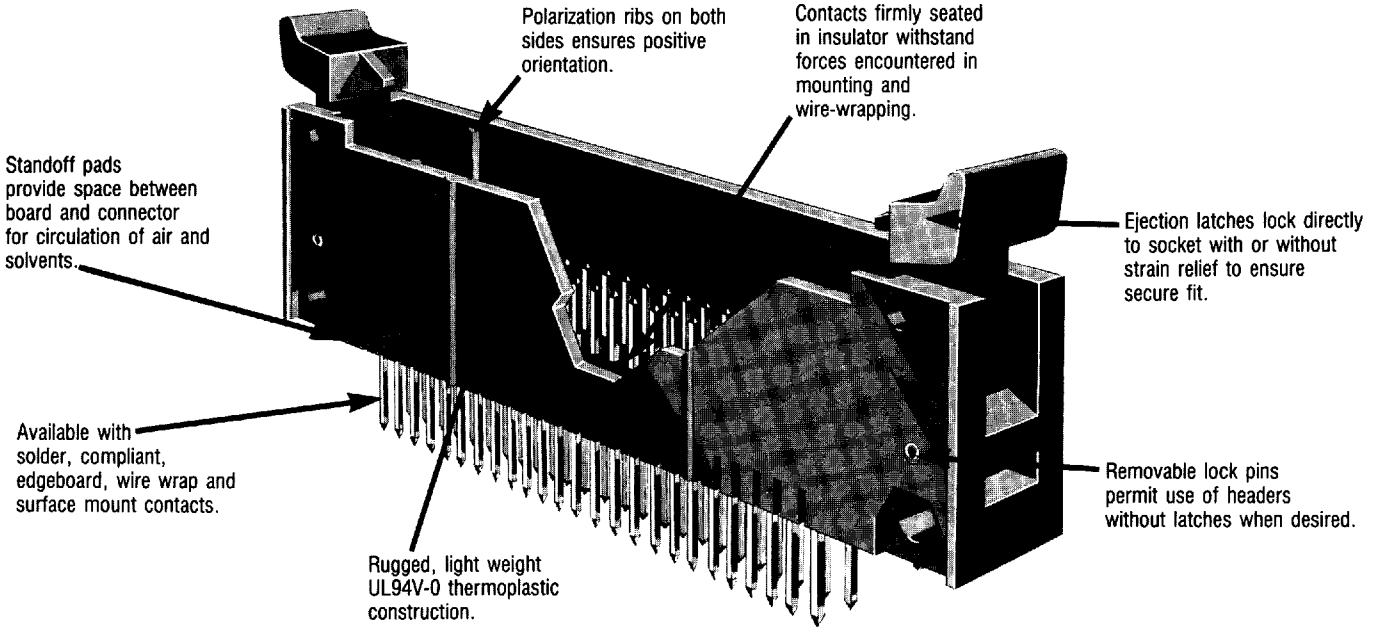
Current Rating: .5 amp per contact

Dielectric Withstand Voltage: Greater than 500 Vdc at sea level

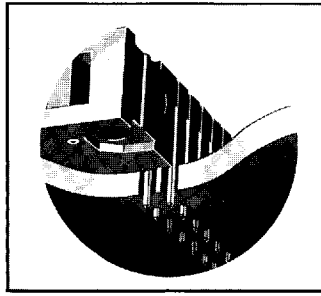
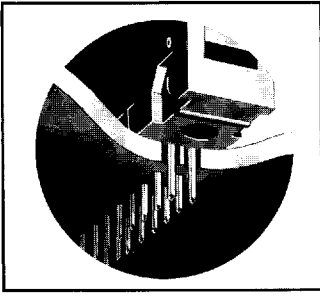
Insulation Resistance: Greater than 5 x 10⁹ ohms

*Note: Surface mount connectors are UL 94V-0 flame retardant, black thermoplastic capable of withstanding vapor phase reflow soldering of 419°F.

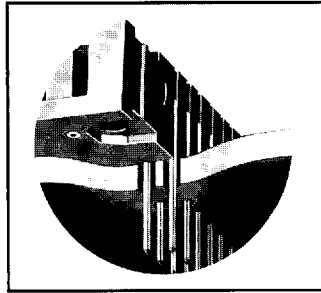
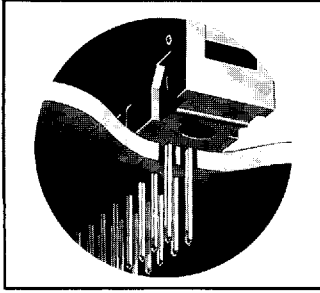
Nano Header Connectors



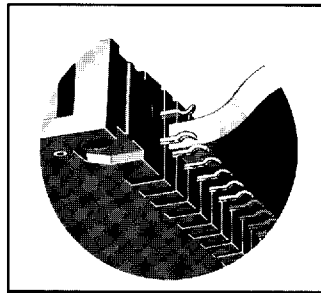
NANO HEADER STYLE OPTIONS



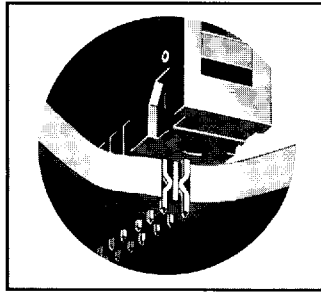
Solder Pin Header, straight (left) and right angle (right).



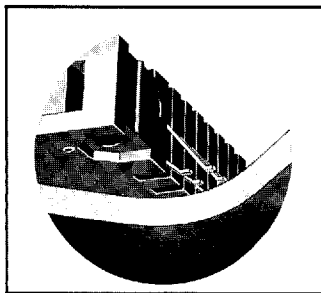
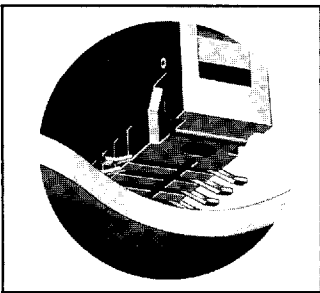
Wire Wrap Header, straight (left) and right angle (right).



Edgeboard Header



Compliant Pin Header



Surface Mount Header, vertical (left) and horizontal mount (right).

Solder Pin:

.012" square contacts for direct soldering to PC board.
 Straight: .090" and .060" lengths.
 Right Angle: .090" length
 Duplex-plated: 30 μ " gold (in mating area); 100 μ " tin/lead in Solder pin area, all over 50 μ " nickel.

Wire Wrap:

.012" square contacts accommodate 3 levels, 4 wraps each, of 34 AWG solid conductor.
 Straight: .200" length.
 Right Angle: .200" length.
 Selective-plated: 30 μ " gold (in mating area) over 50 μ " nickel.

Edgeboard:

Positive spring-tension contacts firmly hold header to edge of 1/32" and 1/16" thick PC boards. Mate with contact pads on .050" center-to-center spacing for temporary or permanent mounting.
 Selective-plated: 30 μ " gold (in mating area) over 50 μ " nickel.

Compliant Pin:

Positive spring-tension contacts firmly hold header to 1/16" thick PC boards with .024" diameter thru-plated holes on .050" center-to-center spacing for temporary or permanent mounting.
 Selective-plated: 30 μ " gold (in mating area) over 50 μ " nickel.

Surface Mount:

For use with infrared or vapor phase reflow soldering of connectors to surface of PC boards on .050" center-to-center contact spacing. Unique gull-wing contact design affords visual inspection of completed assembly for both vertical and horizontal mount. Independent spring action of contacts compensates for board irregularities.
 Selective-plated: 30 μ " gold (in mating area) over 50 μ " nickel.

