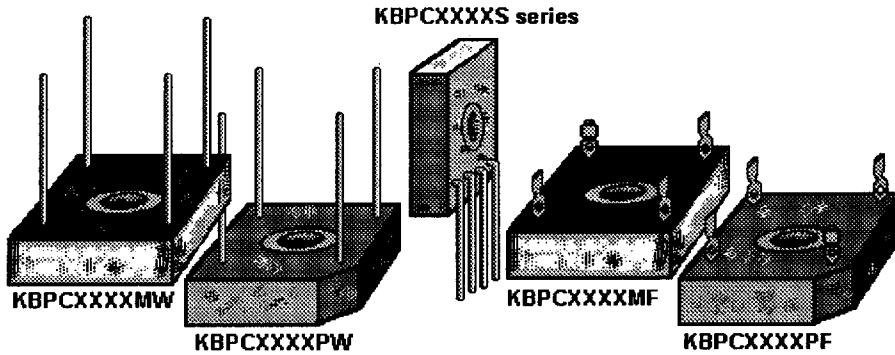


**10 to 35 AMP Single Phase Silicon Bridges**

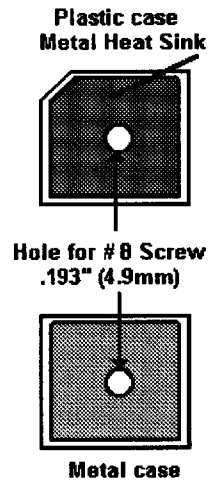
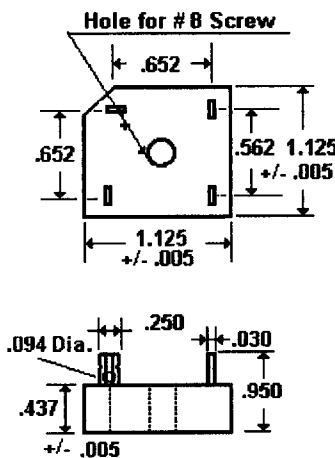
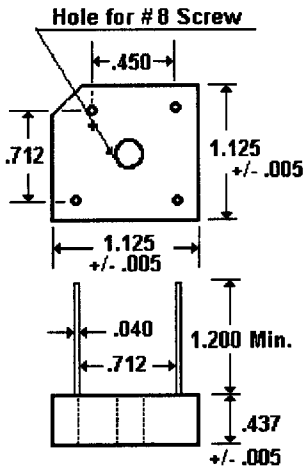
Description

KBPC10..35XX Series



Features

- O Built in Integral Heat Sink
- O UL Recognition Available
- O Up to 400 Amp Surge Overload Rating
- O Option of Wire Leads or Faston Terminals
- O Low Leakage current, Less than 1uA



Notes

Corrosion Resistant terminals designed for .250" female quick connect, wrap around or solder  
 A thin film of silicone thermal compound is recommended between bridge and mounting surface for improved thermal conduction  
 These FCI Bridges are also available in fast recovery, in positive and negative center tap and in Double configurations. Consult with FCI for your special requirements.

Maximum Ratings and Electrical Characteristics (@25 Deg. C)

KBPC10..35XX Series						
	-00	-01	-02	-04	-06	-08 -10
Maximum Recurrent Peak Reverse Voltage.	50	100	200	400	600	800 1000
Maximum RMS Bridge Input Voltage.	35	70	140	280	420	560 700
Maximum DC Blocking Voltage.	50	100	200	400	600	800 1000
Maximum Average Forward Output Current				10.0		
				15.0		
				25.0		
				35.0		
Peak Forward Surge Current			200			
			300			
			300			
			400			
Maximum Forward Voltage Drop				1.2		
				1.2		
				1.2		
				1.2		
				2500		
				10.0		
				1.2		
Operating Temperature					-65 to 175 Deg C.	
Storage Temperature						-65 to 175 Deg C.

Isolation Voltage Case to leads

Maximum Reverse Current, @ Rated DC/Element

Maximum Thermal Resistance

Note 1

Operating Temperature

Storage Temperature

Note 1. Thermal Resistance from Junction to case for total Bridge.

Ratings at 25 Deg. C. ambient temperature unless otherwise specified.  
 Single Phase Half Wave, 60 HZ Resistive or Inductive Load.  
 For Capacitive Load, Derate current by 20%.

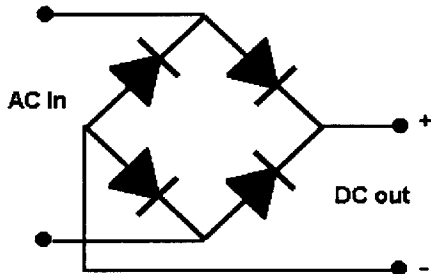


**10 to 35 AMP Single Phase Silicon Bridges**

8/93

**Electrical Description**

**KBPC10..35XX Series**



**Mechanical Data**

Case: Metal or Molded Plastic

Terminals: Plated .25" Faston or Plated Copper Wire Leads .040" Diameter

Weight 0.706 Ounce, 20 Grams

Mounting Position: Any with bolt down with silicone thermal compound between Bridge and mounting surface for optimum heat transfer.

Mounting Torque: 20 inch Pound Max.

**Ordering Information**

FCI's KBPC series of Bridges can be ordered with options on Terminals and Case materials

How to Specify Case Material and Terminal options

For Metal Case order Suffix (1) "M"

For Plastic Case order Suffix (1) "P"

For Faston Terminals order Suffix (2) "F"

For Wire Lead Terminals order Suffix (2) "W"

Example: To order a 25 Amp, 400 Volt Bridge with Faston Leads and a Plastic Case.

Specify - **KBPC2504PF.....** Where "P" = Plastic and "F" = Faston Terminals

Example: To order a 35 Amp, 800 Volt Bridge with Wire Leads and a Metal Case.

Specify - **KBPC3508MW.....** Where "M" = Metal and "W" = Wire Leads (Terminals)

Example: To order a 15 Amp, 200 Volt Bridge with Wire Leads and a Plastic Case.

Specify - **KBPC1502PW.....** Where "P" = Plastic and "W" = Wire Leads (Terminals)

Note - Fast Recovery Bridges (Diodes) available. Contact FCI Components

**KBPC "S" series**

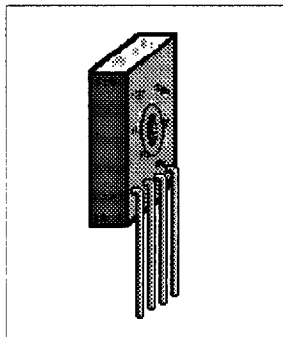
To order Bridges with the "In line" pin configuration select the current and Voltage desired and add "S" as the suffix.

Example:

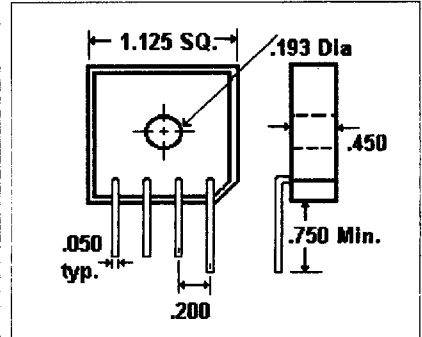
To order a 35 Amp, 800 Volt Bridge In-line Wire Leads.

Specify - **KBPC3508S**

Where "S" = In-Line Wire Lead Terminals



**Dimensions**



**10 to 35 AMP Single Phase Silicon Bridges**

