

Diazed/Neozed Fuses



Littelfuse fast-acting (gL-gG) fuses are used for the protection of cables against short circuits. Time-lag (aM) fuses are used for protection of motors. Ratings are available in standard Diazed and compact Neozed styles.

SPECIFICATIONS

Standards: DIN 49.522-DIN 49.525, IEC 269-3

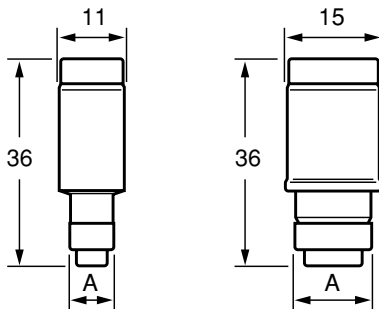
Approvals: VDE

Example part number: *DZ27F4*

| Base Size | Type | Current Range | Voltage AC/DC | Interrupting Rating |
|-----------|------|---------------|---------------|---------------------|
| 14 | D01 | 2-16A | 380V/250V | 50kA |
| 18 | D02 | 20-63A | 380V/250V | 50kA |
| 16 | DI | 2-25A | 500V | 80kA |
| 27 | DII | 2-25A | 500V | 80kA |
| 33 | DIII | 35-63A | 500V | 80kA |

All Diazed and Neozed fuses incorporate a blown fuse indicator.

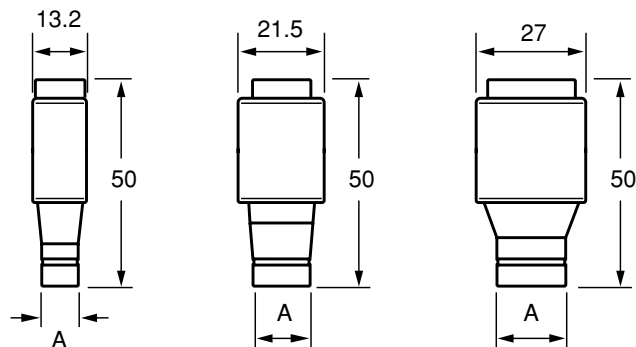
Neozed Fuses



D01

D02

Diazed Fuses



DI

DII

DIII

All dimensions are in "mm".

| Amperage | Color | DIAZED FUSES | | | | | | | NEOZED FUSES | | |
|-----------------------|--------|--------------|---------|---------|---------|---------|---------|--------|--------------|----------|--------|
| | | gL-gG | | | aM | | | DIM. | gL-gG | | DIM. |
| | | DI | DII | DIII | DI | DII | DIII | A (mm) | D01 | D02 | A (mm) |
| 2 | Pink | DZ16F2 | DZ27F2 | — | DZ16T2 | DZ27T2 | — | 6 | D0Z14G2 | — | 7.3 |
| 4 | Brown | DZ16F4 | DZ27F4 | — | DZ16T4 | DZ27T4 | — | 6 | D0Z14G4 | — | 7.3 |
| 6 | Green | DZ16F6 | DZ27F6 | — | DZ16T6 | DZ27T6 | — | 6 | D0Z14G6 | — | 7.3 |
| 10 | Red | DZ16F10 | DZ27F10 | — | DZ16T10 | DZ27T10 | — | 8 | D0Z14G10 | — | 8.5 |
| 16 | Grey | DZ16F16 | DZ27F16 | — | DZ16T16 | DZ27T16 | — | 10 | D0Z14G16 | — | 9.7 |
| 20 | Blue | DZ16F20 | DZ27F20 | — | DZ16T20 | DZ27T20 | — | 12 | — | D0Z18G20 | 10.9 |
| 25 | Yellow | DZ16F25 | DZ27F25 | — | DZ16T25 | DZ27T25 | — | 14 | — | D0Z18G25 | 12.1 |
| 35 | Black | — | — | DZ33F35 | — | — | DZ33T35 | 16 | — | D0Z18G35 | 13.3 |
| 50 | White | — | — | DZ33F50 | — | — | DZ33T50 | 18 | — | D0Z18G50 | 14.5 |
| 63 | Copper | — | — | DZ33F63 | — | — | DZ33T63 | 20 | — | D0Z18G63 | 15.9 |
| Base Size (mm) | | 16 | 27 | 33 | 16 | 27 | 33 | — | 14 | 18 | — |



Diazed/Neozed Fuses

Fuse bases, carriers, and gauge rings are available for Diazed (DZ) and Neozed (D0Z) type fuses. Fuse holders are comprised of a fuse base and carrier. Optional gauge rings act as a rejection feature and are used to prevent over-sizing of fuses. All bases and carriers are single pole units. Contact factory for additional information.

FUSE BASES

| Part No. | Fuse Type | Base Size (mm) | Mounting Type |
|----------|-----------|----------------|---------------|
| DZB27S | DZ | 27 | Screw |
| DZB27DR | DZ | 27 | Din Rail |
| DZB33S | DZ | 33 | Screw |
| DZB33DR | DZ | 33 | Din Rail |
| D0ZB14S | D0Z | 14 | Screw |
| D0ZB14DR | D0Z | 14 | Din Rail |
| D0ZB18S | D0Z | 18 | Screw |
| D0ZB18DR | D0Z | 18 | Din Rail |

FUSE CARRIERS

| Part No. | Fuse Type | Base Size (mm) |
|----------|-----------|----------------|
| DZC27 | DZ | 27 |
| DZC33 | DZ | 33 |
| D0ZC14 | D0Z | 14 |
| D0ZC18 | D0Z | 18 |

GAUGE RINGS

| Amp Rating. | Color | DZ | DZ | D0Z | D0Z |
|-------------|--------|--------|--------|---------|---------|
| 2 | Pink | DZ27PK | — | D0Z14PK | D0Z18PK |
| 4 | Brown | DZ27BR | — | D0Z14BR | D0Z18BR |
| 6 | Green | DZ27GN | — | D0Z14GN | D0Z18GN |
| 10 | Red | DZ27RD | — | D0Z14RD | D0Z18RD |
| 16 | Grey | DZ27GY | — | — | D0Z18GY |
| 20 | Blue | DZ27BE | — | — | D0Z18BE |
| 25 | Yellow | DZ27YW | — | — | D0Z18YW |
| 35 | Black | — | DZ33BK | — | D0Z18BK |
| 50 | White | — | DZ33WE | — | D0Z18WE |
| 63 | Copper | — | DZ33CR | — | — |

Contact factory for dimensional information.

