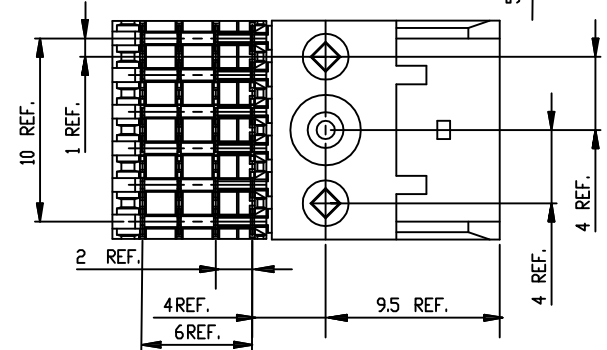
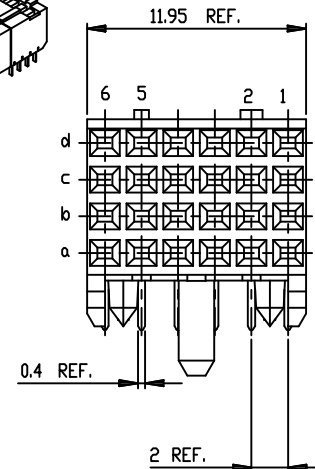
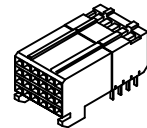
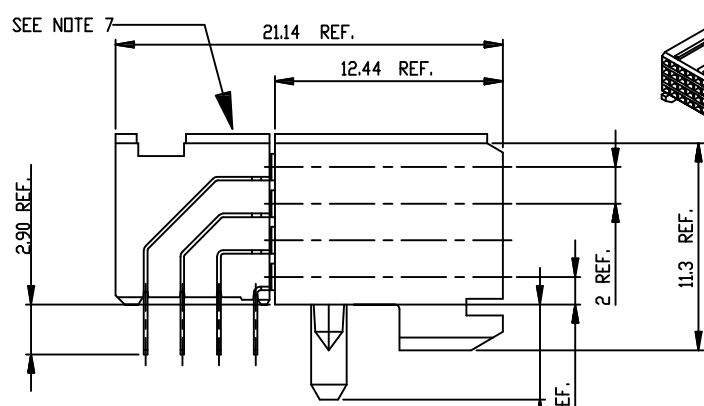
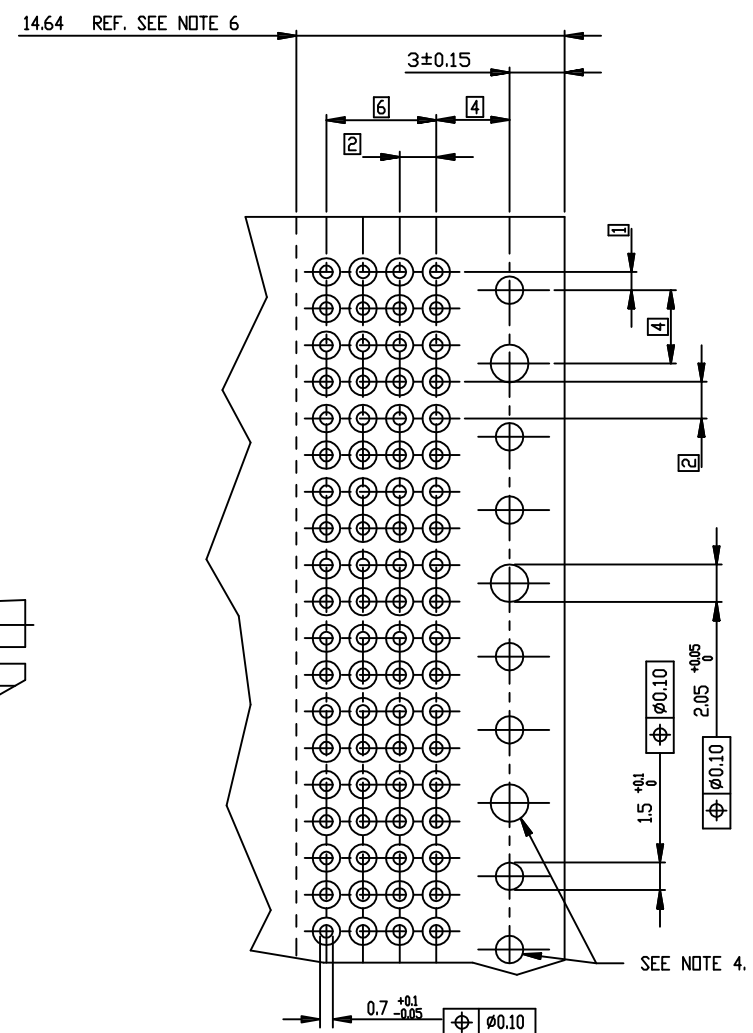
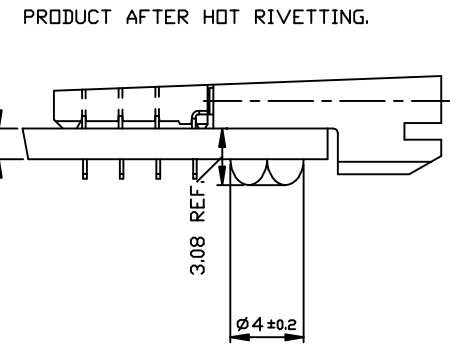


Tous droits strictement réservés. Reproduction ou communication des plans interdite sous quelque forme que ce soit sans autorisation écrite de propriétaire. © FCI Inc.

All rights strictly reserved. Reproduction or issue of any kind without the written authority from the proprietor. © FCI Inc.



PC BOARD THICKNESS ±0.20



PRODUCT NUMBER	ROW NO.	TERMINAL IN POSITION (+)					
		1	2	3	4	5	6
70219-X20/X20LF	D	+	-	-	-	+	-
	C	+	-	-	-	+	-
	B	+	-	-	-	+	-
	A	+	-	-	-	+	-
70219-X21/X21LF	D	+	-	+	+	+	+
	C	+	-	+	+	+	+
	B	-	-	+	+	+	+
	A	+	+	+	+	+	+
70219-X22/X22LF	D	-	+	-	+	-	-
	C	+	-	-	-	+	-
	B	-	+	-	+	-	+
	A	+	-	-	-	+	-
70219-X23/X23LF	D	+	+	-	+	-	+
	C	+	+	-	+	-	-
	B	+	+	-	+	-	+
	A	+	+	-	+	-	+

PLATING CONTACT AREA:	
DASH NR:	PERFORMANCE LEVEL
-1YY/1YYLF	TELCORDIA CO
-2YY/2YYLF	CUSTOMER SPECIAL
-3YY/3YYLF	CUSTOMER SPECIAL

- NOTES:**
- BODY MAT'L: LIQUID CRYSTAL POLYMER 30% GLASS FLAME RETARDANT ACC. UL 94-V0
 - TERMINAL MATERIAL: PHOSPHOR BRONZE.
 - PLATING SOLDER TAILS 2-8 µm SnPb 90-97 OR 2-8 µm PURE Sn
 - INDICATED HOLES ARE UNPLATED.
 - PRODUCT MARKING: PART NUMBER & BATCH ID.
 - SET BACK FOR PRESS BLOCK.
 - TOP SURFACE OF PRESS BLOCK MAY EXTEND UP TO 0.4MM HIGHER THAN HOUSING. THIS MAY AFFECT THE TAIL LENGTH BEFORE APPLICATION TO A BOARD
 - THIS PRODUCT MEETS EUROPEAN UNION DIRECTIVES AND OTHER COUNTRY REGULATIONS AS DESCRIBED IN GS-22-008
 - THE HOUSING WILL WITHSTAND EXPOSURE TO 260DEGREE PEAK TEMPERATURE FOR 10 SECONDS IN A WAVE SOLDER APPLICATION.

RECOMMENDED HOLE PATTERN, COMPONENT SIDE.

mat'l. code		tolerances unless otherwise specified		CUSTOMER COPY	FCI www.fciconnect.com	
tr	ecr no	dr	date	linear	projection	title
M					⊕	RA FEMALE SIGNAL STB 12 mm SPECIAL
				angles	mm	product family METRAL(tm)
		dr	Heaven Cen 11/01/06		scale	code
		engr	Collins Lu 11/01/06		A2	213
		chr	Beer Fu 11/01/06		5:1	sheet
		appd	Joseph Hala 11/01/06			2 of -
sheet	revision	sheet				
Index						

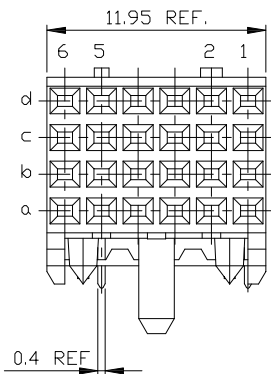
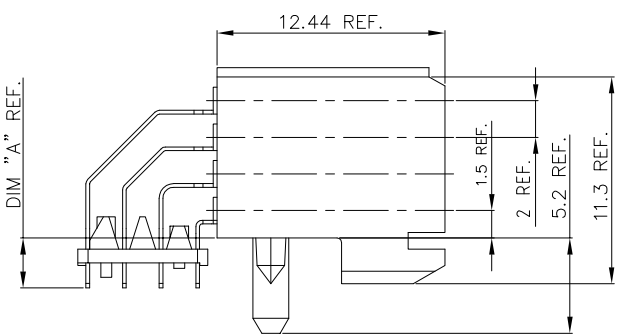
Tous droits strictement réservés. Reproduction ou communication à des tiers interdite sous quelque forme que ce soit sans autorisation écrite du propriétaire.
© FCI Inc.



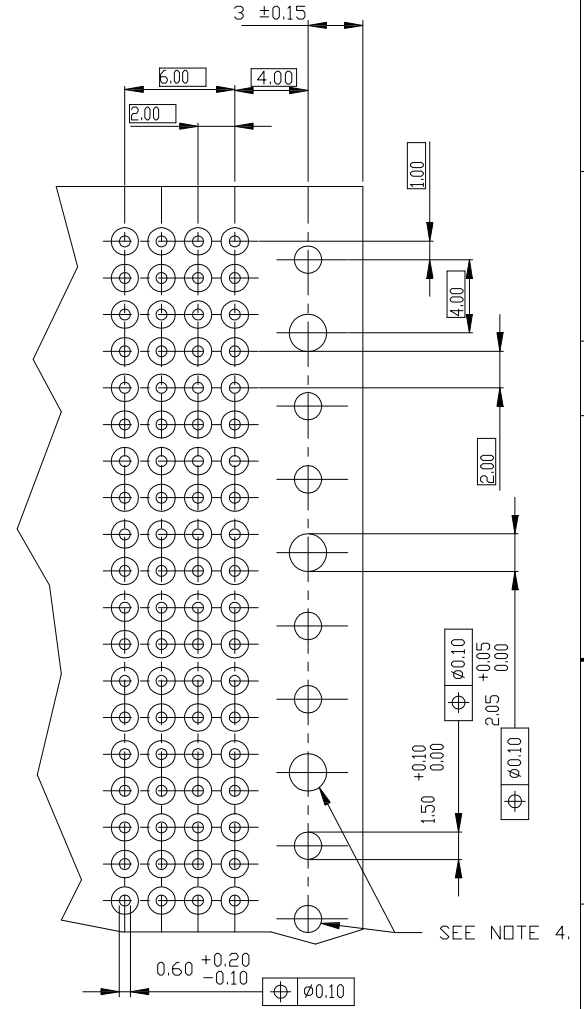
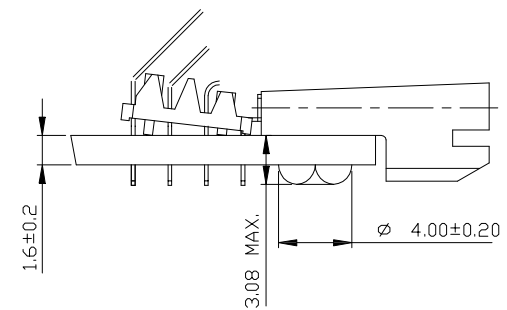
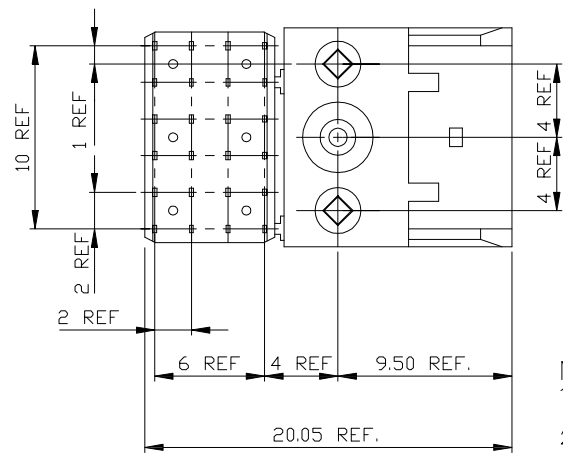
All rights strictly reserved. Reproduction or issue to third parties in any form whatsoever is not permitted without written authority from the proprietor.
© FCI Inc.

PRODUCT NUMBER	ROW NO.	TERMINAL IN POSITION (+)					
		1	2	3	4	5	6
70219-X30/X30LF	D	+	-	-	-	+	-
	C	+	-	-	-	+	-
	B	+	-	-	-	+	-
	A	+	-	-	-	+	-
70219-X31/X31LF	D	+	-	+	+	+	+
	C	+	-	+	+	+	+
	B	-	-	+	+	+	+
	A	+	+	+	+	+	+
70219-X32/X32LF	D	-	+	-	+	-	-
	C	+	-	-	-	+	-
	B	-	+	-	+	-	+
	A	+	+	-	-	+	-
70219-X33/X33LF	D	+	+	-	+	-	+
	C	+	+	-	+	-	-
	B	+	+	-	+	-	+
	A	+	+	-	+	-	+

PC BOARD VERSIONS		
PRODUCT NR:	PCB THICKNESS	DIM "A"
70219-XYZ/XYZLF	1.6	2.90



ASSEMBLY AFTER HOT RIVETTING.



RECOMMENDED HOLE PATTERN, COMPONENT SIDE.

SEE NOTE 4.

- NOTES:
- BODY MAT'L: LIQUID CRYSTAL POLYMER 30% GLASS FLAME RETARDANT ACC. UL 94-V0
 - TERMINAL MATERIAL: PHOSPHOR BRONZE.
 - PLATING SOLDER TAILS 2-8 um SnPb 90-97 OR 2-8 um PURE Sn FOR LEAD FREE.
 - INDICATED HOLES ARE UNPLATED.
 - PRODUCT MARKING: PART NUMBER & BATCH ID.
 - THIS PRODUCT MEETS EUROPEAN UNION DIRECTIVES AND OTHER
 - THE HOUSING WILL WITHSTAND EXPOSURE TO 260 DEGREE PEAK

PLATING CONTACT AREA:	
DASH NR:	PERFORMANCE LEVEL
-1YY/1YYLF	TELCORDIA CO
-2YY/2YYLF	CUSTOMER SPECIAL
-3YY/3YYLF	CUSTOMER SPECIAL

mat'l. code	tolerances unless otherwise specified	CUSTOMER COPY	FCI
ltn ecn mdr date	linear	projection	title
M	angles	mm	RA FEMALE SIGNAL
dr Heaven Cen 11/01/06	enr Collins Lu 11/01/06	chr Beer Fu 11/01/06	appd Joseph Hsia 11/01/06
scale 5:1	product family METRAL (tm)	code 213	size dwg no 70219
sheet index	revision	sheet 3 of 3	