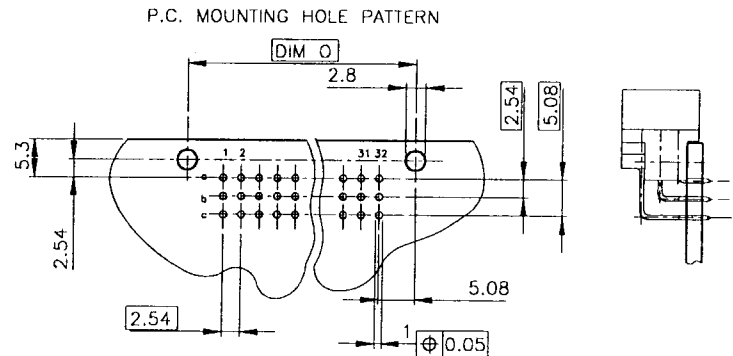
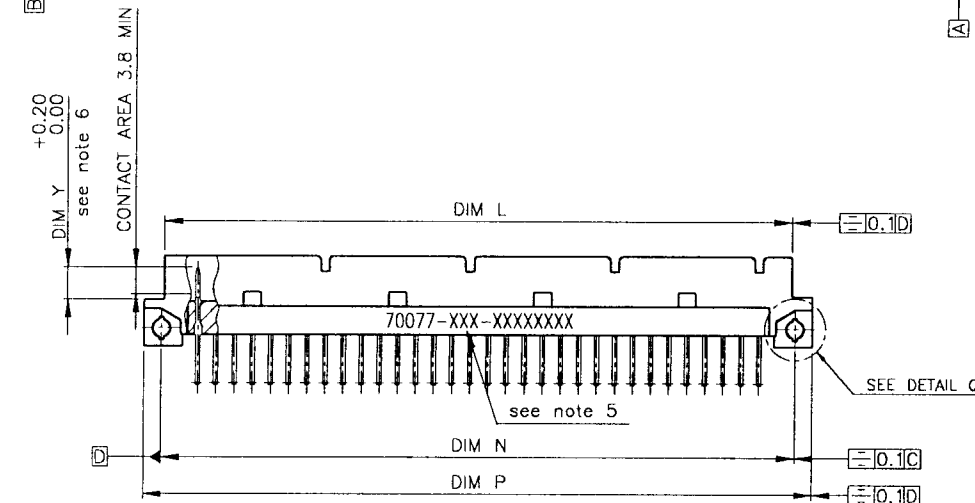
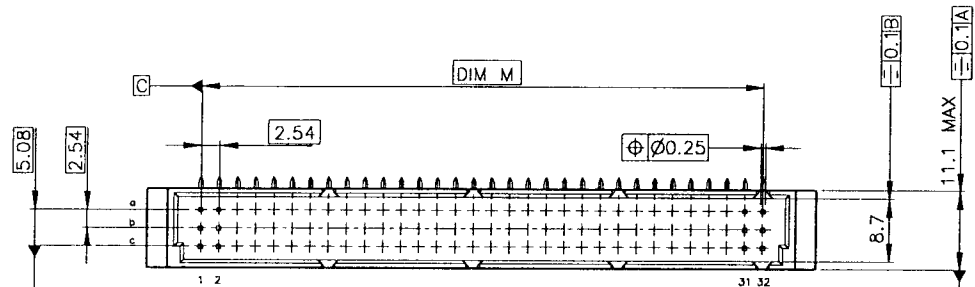
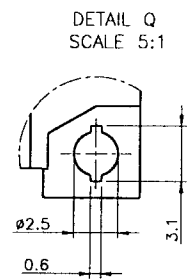
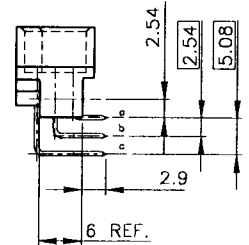
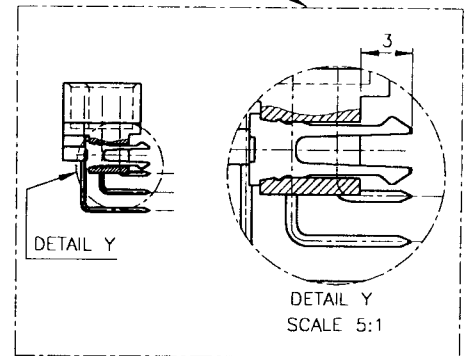


FOR PRODUCT NUMBER SEE NEXT SHEETS



OPTIONAL, SEE NOTE 5



- NOTES:**
- Material pin: Phosphor bronze
 - Material body: Thermoplastic polyester 30% fiber glass filled colour: see table, Flame retardant per UL-94-V0
 - Plating for contact area: see table
 - As an option the 70077 connector is available with a board fixing clip, the part number is the 70077-XXX-0Z, see TA 841.
 - Laser printing consists of 70077-XXX-0Z-XXXXXXX
 product number _____
 dash number _____
 clipcode (optional) _____
 batch code _____
 - Normal contact "X"; Dim Y=4.8mm
 FMLB contact "O"; Dim Y=5.5mm
 - As an option the 70077 connector is available with a board fixing clip. The P/N is then 70077-XXX-0Z see next sheets.

| | | | | | | |
|-------|-----------------|-------|-------|-------|-------|-------|
| D | 3 x 7 | 15.24 | 25.40 | 15.24 | 30.35 | 24.50 |
| C | 3 x 15 | 35.56 | 45.72 | 35.56 | 50.67 | 44.82 |
| B | 3 x 23 | 55.88 | 66.04 | 55.88 | 70.99 | 65.14 |
| A | 3 x 32 | 78.74 | 88.90 | 78.74 | 93.85 | 88.00 |
| STYLE | NO OF POSITIONS | DIM M | DIM N | DIM O | DIM P | DIM L |

| | | | | | | | | | |
|------------|----------|-----------|----------|---------------------------------------|-------------|---------------|--|---------------------------------------|--------------|
| mat'l code | | SEE NOTES | | tolerances unless otherwise specified | | CUSTOMER COPY | | FCI ELECTRONICS www.fciconnect.com | |
| ltr | rev no. | dr | date | linear | | projection | | title | R.A. DIN |
| X | F00487 | OLE | 09.08.28 | | | 1st angle | | product family | MALE SPECIAL |
| S | F60782 | OMA | 96.10.25 | axles | | mm | | size dwg no | 2.1.3 |
| I | F70111 | OMA | 97.01.21 | dr | C BORCHUIS | 89.03.03 | | sheet | 1 of 3 |
| U | F80198 | OMA | 98.04.15 | engr | JF NOTTEAU | 89.08.04 | | scale | 2:1 |
| V | F80181 | LMU | 98.03.16 | chr | D. MATHÉVON | 89.08.04 | | part no | 70077 |
| W | F90614 | OLE | 99.08.04 | appd | JFN | 99.08.04 | | sheet | 1 of 3 |
| Sheet | revision | X | N | | | | | | |
| index | sheet | 1 | 2 | 3 | | | | | |

PRODUCT NUMBER 70077-XXX-OZ

CLIP CODE "OZ" (optional)

PRODUCT NUMBER PCB THICKNESS

70077-XXX-01 1.6

| PRODUCT NO | PIN "O" AND "X" PLACED IN POSITION | | | | | | | | | | | | | | | | | | | | | | | | | | | | | | | | PLATING | | TOTAL NO. OF PINS LOADED | STYLE | COLOR BODY | REMARKS | | | | | | | | | | | | | | | | | | | | | | | | | | |
|------------|------------------------------------|---|---|---|---|---|---|---|---|---|----|----|----|----|----|----|----|----|----|----|----|----|----|----|----|----|----|----|----|----|----|----|---------|--------------|--------------------------|-------------|------------|---------|------------|--------------------------------------|---|---|---|---|---|--------------|-------------|----|---|-------|--------------------------------------|-------------|--------------|--------------|-------------|--------------------------------------|-------------|--------------------------------------|-----------------------|-------------|----|------|------|--|
| | ROW | 1 | 2 | 3 | 4 | 5 | 6 | 7 | 8 | 9 | 10 | 11 | 12 | 13 | 14 | 15 | 16 | 17 | 18 | 19 | 20 | 21 | 22 | 23 | 24 | 25 | 26 | 27 | 28 | 29 | 30 | 31 | 32 | CONTACT AREA | | | | | SOLDERTAIL | | | | | | | | | | | | | | | | | | | | | | | | | |
| 70077-001 | a | X | X | X | X | X | X | X | X | X | X | X | X | X | X | X | X | X | X | X | X | X | X | X | X | X | X | X | X | X | X | X | X | X | 0.8µm Au min | 4-10µm SnPb | 96 | A | BLACK | not available with board fixing clip | | | | | | | | | | | | | | | | | | | | | | | | |
| | b | X | X | X | X | X | X | X | X | X | X | X | X | X | X | X | X | X | X | X | X | X | X | X | X | X | X | X | X | X | X | X | X | X | X | X | X | X | X | X | | | | | | | | | | | | | | | | | | | | | | | | |
| | c | X | X | X | X | X | X | X | X | X | X | X | X | X | X | X | X | X | X | X | X | X | X | X | X | X | X | X | X | X | X | X | X | X | X | X | X | X | X | X | X | X | | | | | | | | | | | | | | | | | | | | | | |
| 70077-002 | a | X | X | X | X | X | X | X | X | X | X | X | X | X | X | X | X | X | X | X | X | X | X | X | X | X | X | X | X | X | X | X | X | X | X | X | X | X | X | X | X | X | X | X | X | 2.0µm Au min | 4-10µm SnPb | 96 | A | BLACK | not available with board fixing clip | | | | | | | | | | | | | |
| | b | X | X | X | X | X | X | X | X | X | X | X | X | X | X | X | X | X | X | X | X | X | X | X | X | X | X | X | X | X | X | X | X | X | X | X | X | X | X | X | X | X | X | X | X | X | X | X | X | | | | | | | | | | | | | | | |
| | c | X | X | X | X | X | X | X | X | X | X | X | X | X | X | X | X | X | X | X | X | X | X | X | X | X | X | X | X | X | X | X | X | X | X | X | X | X | X | X | X | X | X | X | X | X | X | X | X | X | X | | | | | | | | | | | | | |
| 70077-003 | a | X | X | X | X | X | X | X | X | X | X | X | X | X | X | X | X | X | X | X | X | X | X | X | X | X | X | X | X | X | X | X | X | X | X | X | X | X | X | X | X | X | X | X | X | X | X | X | X | X | 3.0µm Au min | 4-10µm SnPb | 96 | A | BLACK | not available with board fixing clip | | | | | | | | |
| | b | X | X | X | X | X | X | X | X | X | X | X | X | X | X | X | X | X | X | X | X | X | X | X | X | X | X | X | X | X | X | X | X | X | X | X | X | X | X | X | X | X | X | X | X | X | X | X | X | X | X | X | | | | | | | | | | | | |
| | c | X | X | X | X | X | X | X | X | X | X | X | X | X | X | X | X | X | X | X | X | X | X | X | X | X | X | X | X | X | X | X | X | X | X | X | X | X | X | X | X | X | X | X | X | X | X | X | X | X | X | X | X | X | | | | | | | | | | |
| 70077-004 | a | X | X | X | X | X | X | X | X | X | X | X | X | X | X | X | X | X | X | X | X | X | X | X | X | X | X | X | X | X | X | X | X | X | X | X | X | X | X | X | X | X | X | X | X | X | X | X | X | X | X | X | 0.4µm Au min | 4-10µm SnPb | 96 | A | BLACK | not available with board fixing clip | | | | | | |
| | b | X | X | X | X | X | X | X | X | X | X | X | X | X | X | X | X | X | X | X | X | X | X | X | X | X | X | X | X | X | X | X | X | X | X | X | X | X | X | X | X | X | X | X | X | X | X | X | X | X | X | X | X | X | | | | | | | | | | |
| | c | X | X | X | X | X | X | X | X | X | X | X | X | X | X | X | X | X | X | X | X | X | X | X | X | X | X | X | X | X | X | X | X | X | X | X | X | X | X | X | X | X | X | X | X | X | X | X | X | X | X | X | X | X | X | X | | | | | | | | |
| 70077-005 | a | X | X | X | X | O | X | X | X | X | X | X | X | X | X | X | X | X | X | X | X | X | X | X | X | X | X | X | X | X | X | X | X | X | X | X | X | X | X | X | X | X | X | X | X | X | X | X | X | X | X | X | X | O | X | 0.8µm Au min | 4-10µm SnPb | 64 | A | GREY | | | | |
| | b | X | X | X | X | X | X | X | X | X | X | X | X | X | X | X | X | X | X | X | X | X | X | X | X | X | X | X | X | X | X | X | X | X | X | X | X | X | X | X | X | X | X | X | X | X | X | X | X | X | X | X | X | X | X | X | | | | | | | | |
| | c | X | X | X | X | X | X | X | X | X | X | X | X | X | X | X | X | X | X | X | X | X | X | X | X | X | X | X | X | X | X | X | X | X | X | X | X | X | X | X | X | X | X | X | X | X | X | X | X | X | X | X | X | X | X | X | X | | | | | | | |
| 70077-006 | a | X | X | X | X | O | X | X | X | X | X | X | X | X | X | X | X | X | X | X | X | X | X | X | X | X | X | X | X | X | X | X | X | X | X | X | X | X | X | X | X | X | X | X | X | X | X | X | X | X | X | X | X | O | X | 0.8µm Au min | 4-10µm SnPb | 96 | A | GREY | | | | |
| | b | X | X | X | X | X | X | X | X | X | X | X | X | X | X | X | X | X | X | X | X | X | X | X | X | X | X | X | X | X | X | X | X | X | X | X | X | X | X | X | X | X | X | X | X | X | X | X | X | X | X | X | X | X | X | X | X | | | | | | | |
| | c | X | X | X | X | X | X | X | X | X | X | X | X | X | X | X | X | X | X | X | X | X | X | X | X | X | X | X | X | X | X | X | X | X | X | X | X | X | X | X | X | X | X | X | X | X | X | X | X | X | X | X | X | X | X | X | X | X | | | | | | |
| 70077-007 | a | X | X | X | X | X | X | X | X | X | X | X | X | X | X | X | X | X | X | X | X | X | X | X | X | X | X | X | X | X | X | X | X | X | X | X | X | X | X | X | X | X | X | X | X | X | X | X | X | X | X | X | O | 0.8µm Au min | 4-10µm SnPb | 64 | A | GREY | FMLB,row c not tooled | | | | | |
| | b | X | X | X | X | X | X | X | X | X | X | X | X | X | X | X | X | X | X | X | X | X | X | X | X | X | X | X | X | X | X | X | X | X | X | X | X | X | X | X | X | X | X | X | X | X | X | X | X | X | X | X | X | X | X | | | | | | | | | |
| | c | X | X | X | X | X | X | X | X | X | X | X | X | X | X | X | X | X | X | X | X | X | X | X | X | X | X | X | X | X | X | X | X | X | X | X | X | X | X | X | X | X | X | X | X | X | X | X | X | X | X | X | X | X | X | X | X | | | | | | | |
| 70077-008 | a | X | | | X | | | X | | | X | | | X | | | X | | | X | | | X | | | X | | | X | | | X | | | X | | | X | | | X | | | X | | | X | | | X | | | X | 0.8µm Au min | 4-10µm SnPb | 10 | C | GREY | | | | | | |
| | b | | | | | | | | | | | | | | | | | | | | | | | | | | | | | | | | | | | | | | | | | | | | | | | | | | | | | | | | | | | | | | | |
| | c | | X | | | | X | | | X | | | X | | | X | | | X | | | X | | | X | | | X | | | X | | | X | | | X | | | X | | | X | | | X | | | X | | | X | | | X | | | | | | | | | |
| 70077-009 | a | X | | | X | | | X | | | X | | | X | | | X | | | X | | | X | | | X | | | X | | | X | | | X | | | X | | | X | | | X | | | X | | | X | | | X | | | 2.0µm Au min | 4-10µm SnPb | 10 | C | GREY | | | | |
| | b | | | | | | | | | | | | | | | | | | | | | | | | | | | | | | | | | | | | | | | | | | | | | | | | | | | | | | | | | | | | | | | |
| | c | | X | | | | X | | | X | | | X | | | X | | | X | | | X | | | X | | | X | | | X | | | X | | | X | | | X | | | X | | | X | | | X | | | X | | | X | | | | | | | | | |
| 70077-010 | a | X | | | X | | | X | | | X | | | X | | | X | | | X | | | X | | | X | | | X | | | X | | | X | | | X | | | X | | | X | | | X | | | X | | | X | | | 0.4µm Au min | 4-10µm SnPb | 10 | C | GREY | | | | |
| | b | | | | | | | | | | | | | | | | | | | | | | | | | | | | | | | | | | | | | | | | | | | | | | | | | | | | | | | | | | | | | | | |
| | c | | X | | | | X | | | X | | | X | | | X | | | X | | | X | | | X | | | X | | | X | | | X | | | X | | | X | | | X | | | X | | | X | | | X | | | X | | | | | | | | | |
| 70077-011 | a | X | X | X | X | X | X | X | X | X | X | X | X | X | X | X | X | X | X | X | X | X | X | X | X | X | X | X | X | X | X | X | X | X | X | X | X | X | X | X | X | X | X | X | X | X | X | X | X | X | X | X | X | X | X | X | X | X | 0.8µm Au min | 4-10µm SnPb | 32 | A | GREY | |
| | b | | | | | | | | | | | | | | | | | | | | | | | | | | | | | | | | | | | | | | | | | | | | | | | | | | | | | | | | | | | | | | | |
| | c | | | | | | | | | | | | | | | | | | | | | | | | | | | | | | | | | | | | | | | | | | | | | | | | | | | | | | | | | | | | | | | |
| 70077-012 | a | | | X | | X | | | | X | X | X | X | X | X | X | X | X | X | X | X | X | X | X | X | X | X | X | X | X | X | X | X | X | X | X | X | X | X | X | X | X | X | X | X | X | X | X | X | X | X | X | X | X | X | X | X | 0.8µm Au min | 4-10µm SnPb | 73 | A | GREY | | |
| | b | | | | | | | | | | X | X | X | X | X | X | X | X | X | X | X | X | X | X | X | X | X | X | X | X | X | X | X | X | X | X | X | X | X | X | X | X | X | X | X | X | X | X | X | X | X | X | X | X | X | X | X | X | X | | | | | |
| | c | | | X | | X | | | | | X | X | X | X | X | X | X | X | X | X | X | X | X | X | X | X | X | X | X | X | X | X | X | X | X | X | X | X | X | X | X | X | X | X | X | X | X | X | X | X | X | X | X | X | X | X | X | X | X | X | | | | |
| 70077-013 | a | | | X | | | | X | | | X | | | X | | | X | | | X | | | X | | | X | | | X | | | X | | | X | | | X | | | X | | | X | | | X | | | X | | | X | | | 0.8µm Au min | 4-10µm SnPb | 18 | A | GREY | | | | |
| | b | X | X | | | | | | | | | | | | | | | | | | | | | | | | | | | | | | | | | | | | | | | | | | | | | | | | | | | | | | | | | | | | | |
| | c | X | X | | | | | | | | | | | | | | | | | | | | | | | | | | | | | | | | | | | | | | | | | | | | | | | | | | | | | | | | | | | | | |
| 70077-014 | a | X | X | X | X | | | X | X | X | X | X | X | X | X | X | X | X | X | X | X | X | X | X | X | X | X | X | X | X | X | X | X | X | X | X | X | X | X | X | X | X | X | X | X | X | X | X | X | X | X | X | X | X | X | X | X | X | 0.4µm Au min | 4-10µm SnPb | 90 | A | GREY | |
| | b | X | X | X | X | | | X | X | X | X | X | X | X | X | X | X | X | X | X | X | X | X | X | X | X | X | X | X | X | X | X | X | X | X | X | X | X | X | X | X | X | X | X | X | X | X | X | X | X | X | X | X | X | X | X | X | X | X | X | | | | |
| | c | X | X | X | X | | | X | X | X | X | X | | | | | | | | | | | | | | | | | | | | | | | | | | | | | | | | | | | | | | | | | | | | | | | | | | | | |

