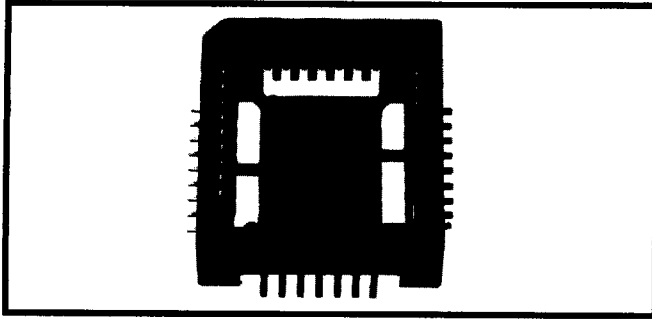


# PLCC 1.27mm SMT Sockets

# IC160 Series



## ORDERING INFORMATION

P/N: IC160-0\*\*4-\*0\* \*

Blank: Tray

1: Tape & Reel 2: Tube

1: With Locator Pin

0: Without Locator Pin

1, 2: SMT Terminals

(See "Contact Area" Drawing Below)

Pin Count

## CHARACTERISTICS

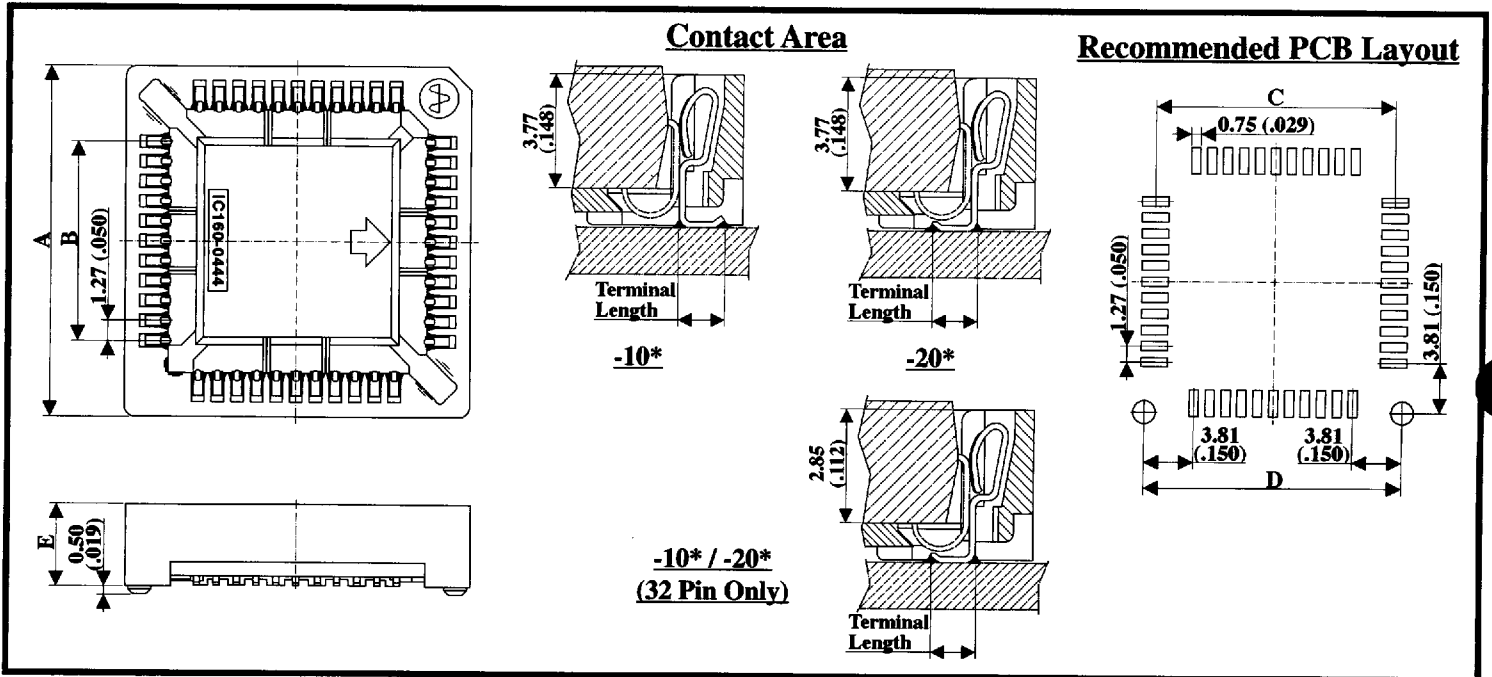
Insulation Resistance	500MΩ Min.
Breakdown Voltage	250 VAC
Contact Resistance	30mΩ Max.
Rated Current	1A Per Contact
Operating Temp. Range	-55°C to +85°C

## MATERIAL

Insulator	High-Temperature Thermoplastic UL94V-0 Rated
Contact	Copper Alloy

## PLATING

Solder Plate



Part Number	Pin Count	A	B	C	D	E	Terminal Length
IC160-0204-10*	20	14.46 (0.569)	5.08 (0.200)	9.54 (0.375)	12.70 (0.500)	5.00 (0.196)	0.78 (0.030)
IC160-0284-10*	28	17.00 (0.669)	7.62 (0.300)	12.08 (0.475)	15.24 (0.600)	5.00 (0.196)	0.78 (0.030)
IC160-0324-10*	32	17.00x19.50 (0.669x0.767)	7.62x10.16 (0.300x0.400)	12.08x14.62 (0.475x0.575)	17.78 (0.700)	4.60 (0.181)	0.78 (0.030)
IC160-0444-10*	44	22.08 (0.869)	12.70 (0.500)	17.16 (0.675)	20.32 (0.800)	5.00 (0.196)	0.78 (0.030)
IC160-0524-10*	52	25.22 (0.992)	15.24 (0.600)	19.70 (0.775)	22.86 (0.900)	5.00 (0.196)	0.78 (0.030)
IC160-0684-10*	68	30.30 (1.192)	20.32 (0.800)	24.78 (0.975)	27.94 (1.100)	5.00 (0.196)	0.78 (0.030)
IC160-0844-10*	84	35.58 (1.400)	25.40 (1.000)	29.86 (1.175)	33.02 (1.300)	5.00 (0.196)	0.78 (0.030)
IC160-0204-20*	20	14.46 (0.569)	5.08 (0.200)	6.27 (0.246)	12.70 (0.500)	5.00 (0.196)	0.66 (0.025)
IC160-0284-20*	28	17.00 (0.669)	7.62 (0.300)	8.81 (0.346)	15.24 (0.600)	5.00 (0.196)	0.66 (0.025)
IC160-0324-20*	32	17.00x19.50 (0.669x0.767)	7.62x10.16 (0.300x0.400)	8.81x11.35 (0.346x.0446)	17.78 (0.700)	4.60 (0.181)	0.66 (0.025)
IC160-0444-20*	44	22.08 (0.869)	12.70 (0.500)	13.89 (0.546)	20.32 (0.800)	5.00 (0.196)	0.66 (0.025)
IC160-0524-20*	52	25.22 (0.992)	15.24 (0.600)	16.43 (0.646)	22.86 (0.900)	5.00 (0.196)	0.66 (0.025)
IC160-0684-20*	68	30.30 (1.192)	20.32 (0.800)	21.51 (0.846)	27.94 (1.100)	5.00 (0.196)	0.66 (0.025)
IC160-0844-20*	84	35.58 (1.400)	25.40 (1.000)	26.59 (1.046)	33.02 (1.300)	5.00 (0.196)	0.66 (0.025)