

Gold Bonded**1N276****Germanium Diodes***Optimized for Radio Frequency Response*

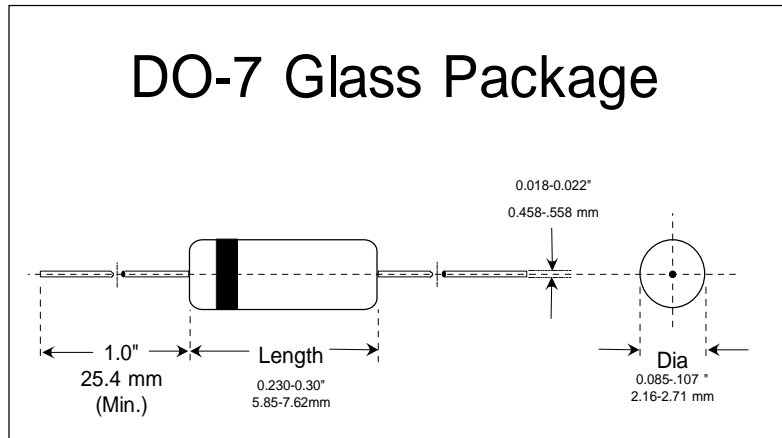
Can be used in many AM, FM and TV-IF applications, replacing point contact devices.

Applications

- AM/FM detectors
- Ratio detectors
- FM discriminators
- TV audio detectors
- RF input probes
- TV video detectors

Features

- Lower leakage current
- Flat junction capacitance
- High mechanical strength
- At least 1 million hours MTBF
- BKC's Sigma-Bond™ plating for problem free solderability

**Absolute Maximum Ratings** at $T_{amb} = 25\text{ }^{\circ}\text{C}$ Unless Otherwise Specified

Parameter	Symbols	Min.	Max.	Units
Peak Inverse Voltage	PIV	**	70	Volts
Surge Current, t = 1 Second	I_S		0.4	Amps
Peak Operating Current	I_{FSR}		270	mA
Operating and Storage Temperatures	$T_{J\&STG}$	-60	+90	$^{\circ}\text{C}$

Electrical Characteristics at $T_{amb} = 25\text{ }^{\circ}\text{C}$

Parameter	Test Conditions	Symbols	Min.	Typ.	Max.	Units
Forward Voltage Drop	$I_F = 40\text{ mA}$	V_F		**	1.0	Volts
Breakdown Voltage	$I_R = 1.0\text{ mA}$	PIV		**	75	Volts
Reverse Leakage	$V_R = 10\text{ Volts}$	I_R		**	5.0	μA
Reverse Leakage	$V_R = 10\text{ Volts}, T_{amb} = 75\text{ }^{\circ}\text{C}$	I_R		**	100	μA
Junction Capacitance	$f = 1\text{ MHz}, V_R = 0\text{ volt}$	C_J		0.8		pF
Reverse Recovery Time	$t_{rr} (I_f = 5\text{ mA}, I_{rr} (\text{rec.}) @ 0.5\text{ mA}, V_r = -40\text{ Volts})$	t _{rr}	--	***	300	nSec
Forward Recovery Voltage	$I_f = 50\text{ mA Peak Sine wave } 100\text{ KHz}$	V _{fr}	--	***	3.0	Volts



6 Lake Street - Lawrence, MA 01841

Tel: 978-681-0392 - Fax: 978-681-9135