

Series **D xx S 24B 6 xx 22 LF**

Number of contacts  
09 , 15 , 25

**Contacts**  
S : Socket

**Plating**  
6 : 500 Mating / Unmating Mini

**Packaging specification**  
Tape and Reel For connector with cap  
**See Note RoHS**

**Termination**

Code	Type	Foot Print/Pitch	Length of termination	PCB thickness
24B	Straight version	6 / 2.84mm	2.90	2.4

**NOTE RoHS INFORMATION**

- The "LF" product meet european union Directives and other country regulations asdescribed in GS-22-008.
- The housing will withstand exposure to 260° peak temperature for 30 seconds in a convection , infra-red or vapor reflow oven. See application notes/procedures if are available.
- Termination plating spec:1.27µ Nickel mini,2.5 to 7.5µ Sn(pure mate)
- Shell plating : Nickel bright
- Accessories : Sn pure bright
- Packaging spec ; See GS-14-920

**Mounting Options**

RL	Insert M3
RV	Female Screw UNC 4-40
RX	Insert UNC 4-40



Copyright FCI.

**Product Specification**

see : GS-12-372

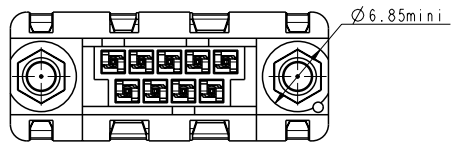
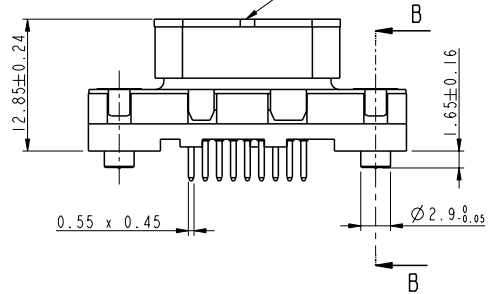
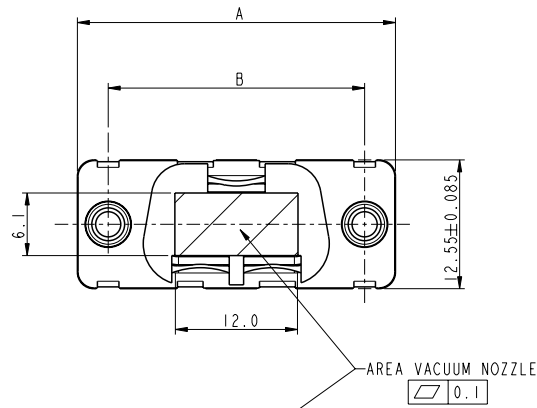
**Packaging Specification**

See GS-14-1052

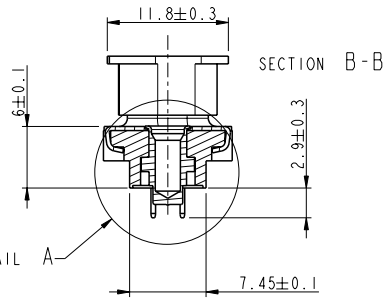
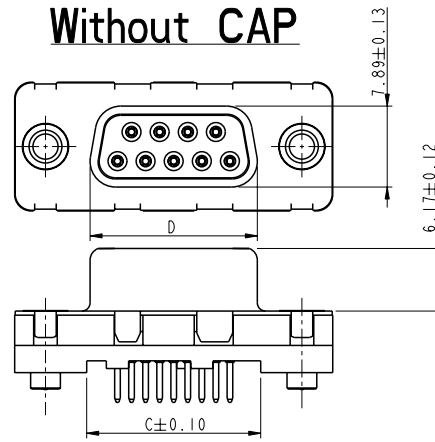
rev	ecn no	dr	date
I	CREATED	HLE	22/08/06
A	LS06-0223	PCR	2006/12/21
-	-	-	-
-	-	-	-
-	-	-	-
-	-	-	-

www.fciconnect.com		surface - <input checked="" type="checkbox"/>	tolerance std	projection	mm
		ISO 1302	ISO 406 ISO 1101		
TOLERANCES UNLESS OTHERWISE SPECIFIED					
Dr	P. CRON	22/08/06	ANGULAR	size A3	Scale 2:1
Eng	H. LEGALLIC	22/08/06	LINEAR	ECN	LS06-0223
Chr	P. LEGARE	22/08/06	0° ±2°	Product family	Spec ref
Appr	P. LEGARE	22/08/06			
	title SUB DELTA D PIP FEMALE H=2.9		dwg no C01-8646-0888		Rev. A
	straight for tape and reel packaging		CUSTOMER		sheet 1 of 2
	catalog no				

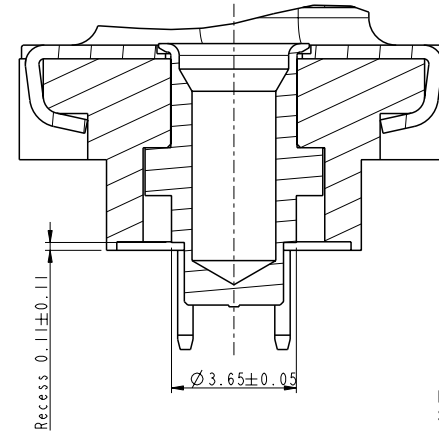
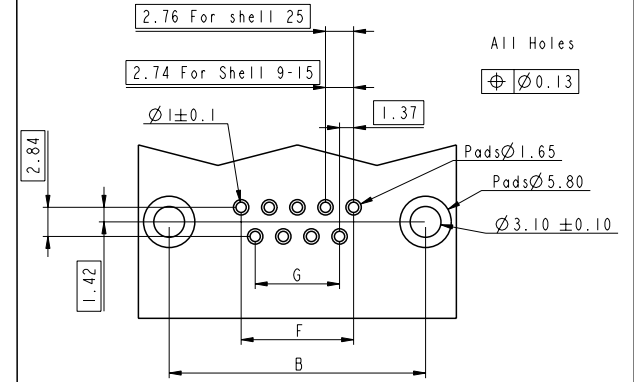
### With CAP



### Without CAP



### PCB Card Drilling dimensions and Pads recommended (after plating - Thickness : 2.40 mm)

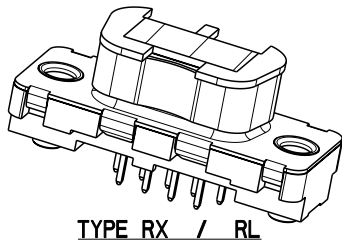


DETAIL A  
SCALE 10:1

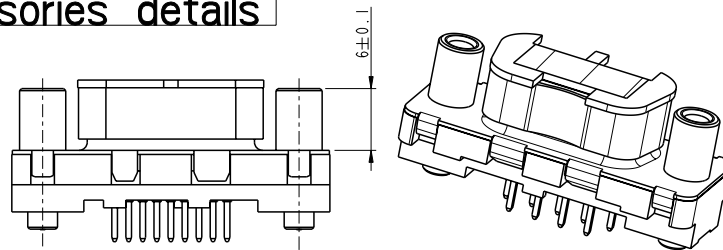
TRUE POSITIONING :  $\oplus \ominus \varnothing 0.36$

SHELL	P/N LEAD FREE	A ±0.10	B ±0.10	C ±0.10	D +0.25 0	F	G
09	D09504A6xx22LF	30.81	24.99	16.96	16.21	10.96	8.22
15	D15504A6xx22LF	39.14	33.32	25.18	24.54	19.18	16.44
25	D25504A6xx22LF	53.03	47.04	39.12	38.25	33.12	30.36

### Accessories details



TYPE RX / RL



TYPE RV



Copyright FCI.

www.fciconnect.com		surface ISO 1302	tolerance std ISO 406 ISO 1101	projection	mm
		TOLERANCES UNLESS OTHERWISE SPECIFIED		$\oplus \ominus$	Scale
Dr P. CRON	22/08/06	ANGULAR	0.X ±0.3	size A2	Scale 1:1
Eng H. LEGALLIC	22/08/06	LINEAR	0.XX ±0.1	ECN LS06-0223	
Chr P. LEGARE	22/08/06	Ø ±0.2	0.XXX ±0.05	Spec ref	
Appr P. LEGARE	22/08/06	Product family			
FCI		SUB DELTA D PIP FEMALE H=2 straight for tape and reel packaging		C01-8646-0888	Rev. A
catalog no		CUSTOMER		sheet 2 of 2	