

H MICRO SWITCH
 FREEPORT, ILLINOIS, U.S.A.
 A DIVISION OF HONEYWELL
 FED. REG. CODE 91029

SWITCH-TOGGLE

CATALOG LISTING
11TW19 SERIES
CHART 3

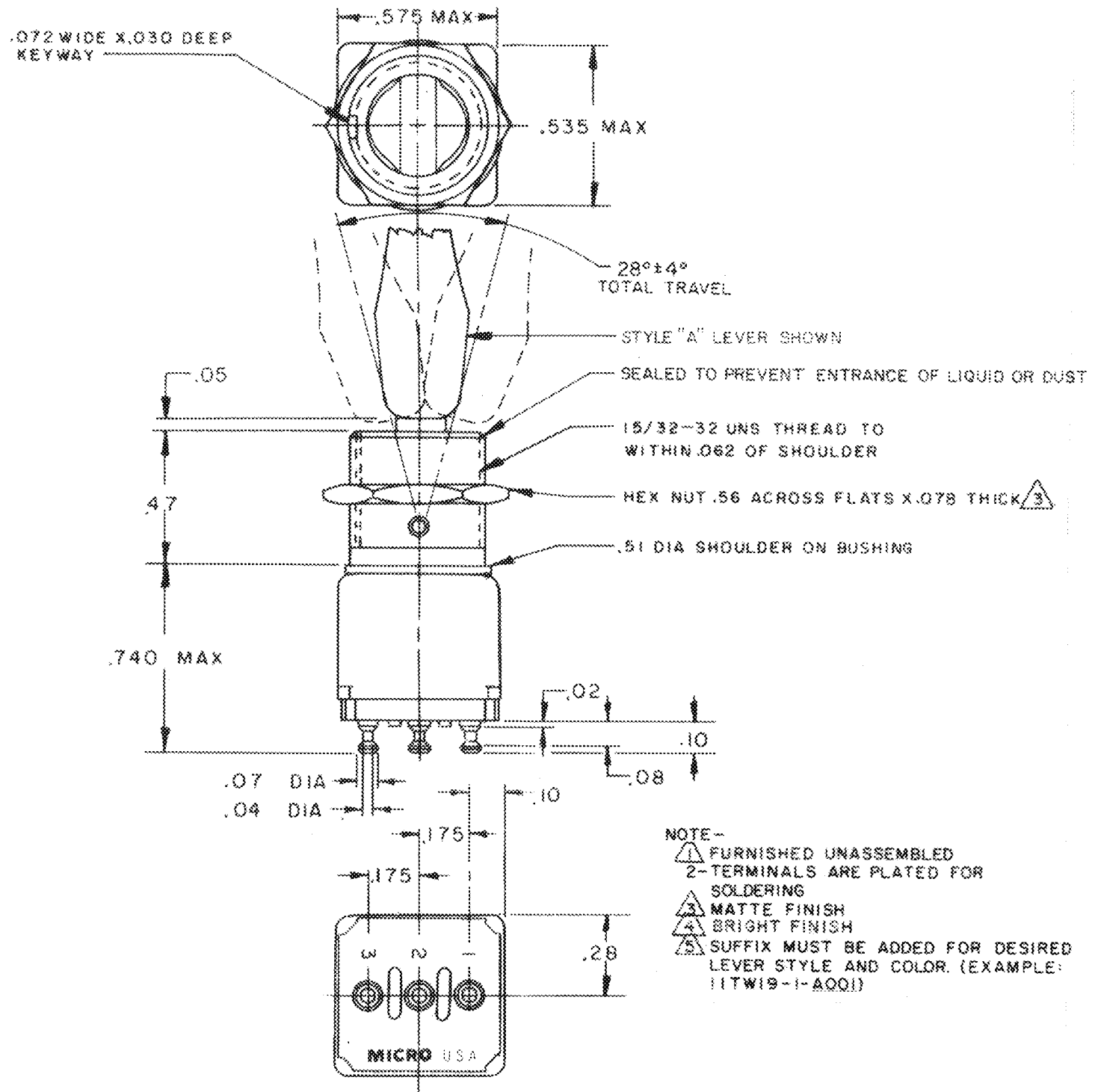
M11TW19 SERIES

DRAWING NUMBER
X 8 X 5 10

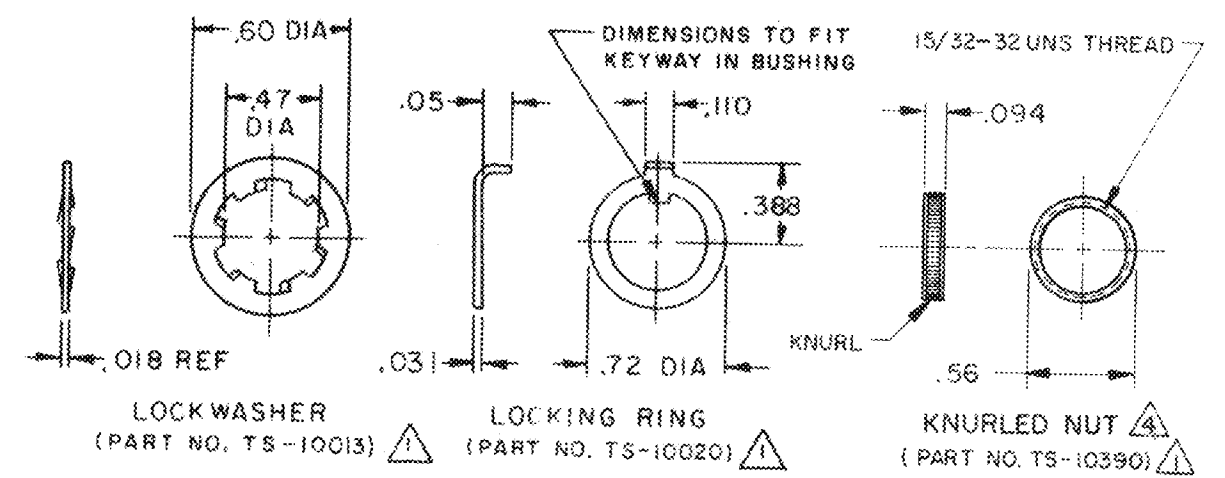
ISSUE
8 X 5 10

REVISIONS
 A 0027404
 13 MAY 70
 B 0027821
 0027850
 3 SEP 70
 C 49472
 5 MAY 81
 D 0050865
 12 DEC 81
 E 0053660
 10 OCT 83
 F 54927
 6 MAY 84
 G PR-13896
 20 MAY 85
 H 0061252
 JAP
 16 MAR 87
 J 0062939
 TSK
 24 FEB 89

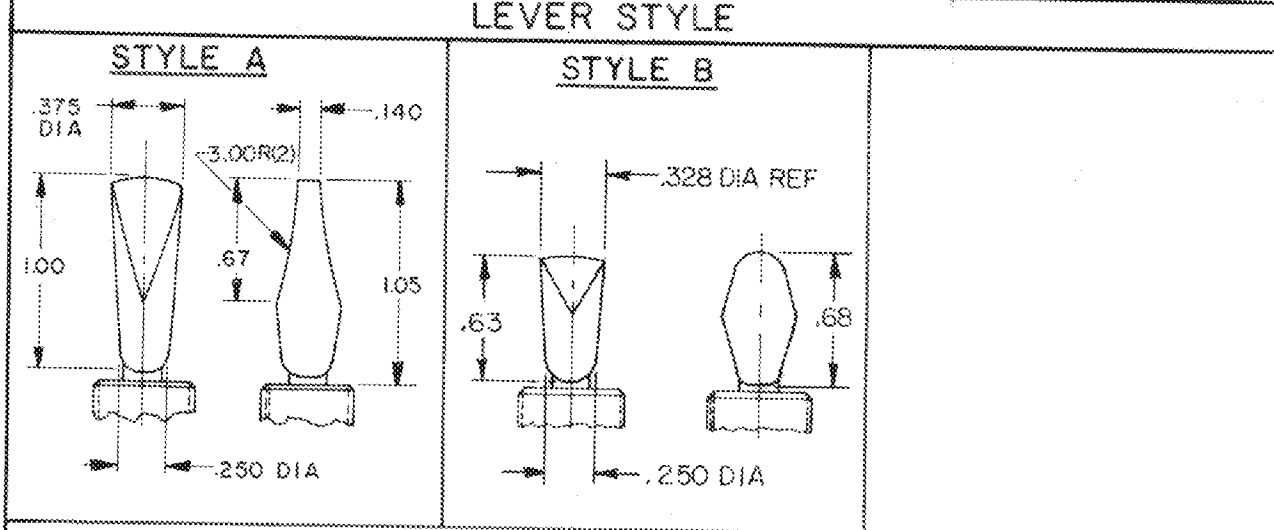
KAS 13 APR 70
 13 APR 70
 13 APR 70



NOTE -
 1 FURNISHED UNASSEMBLED
 2 TERMINALS ARE PLATED FOR SOLDERING
 3 MATTE FINISH
 4 BRIGHT FINISH
 5 SUFFIX MUST BE ADDED FOR DESIRED LEVER STYLE AND COLOR. (EXAMPLE: 11TW19-1-A001)



CATALOG LISTING	ONE EXTREME POSITION (KEYWAY) 2-1	CENTER POSITION	OTHER EXTREME POSITION (OPPOSITE KEYWAY) 2-3
11 TW19-1	ON	OFF	ON
11 TW19-2	OFF	NONE	ON
11 TW19-3	ON	NONE	ON
11 TW19-5	MOM ON	OFF	ON
11 TW19-7	MOM ON	OFF	MOM ON
11 TW19-8	MOM ON	NONE	ON



LEVER COLOR CODE		LEVER COLOR CODE		LEVER COLOR CODE	
COLOR IDENT	COLOR	COLOR IDENT	COLOR	COLOR IDENT	COLOR
001	WT-07 WHITE				
002	BK-09 BLACK				
003	BL-05 BLUE				
004	RD-08 RED				
005	GN-08 GREEN				
006	OR-06 ORANGE				
007	GY-95 GRAY				

THIS DRAWING COVERS A PROPRIETARY ITEM AND IS THE PROPERTY OF MICRO SWITCH, A DIVISION OF MINNEAPOLIS-HONEYWELL REGULATOR CO. THIS DRAWING IS NOT TO BE COPIED OR USED WITHOUT THE APPROVAL OF MICRO SWITCH.

CHARACTERISTICS	ELECTRICAL DATA	SCALE 2 TO 1
	CONTACT ARRANGEMENT	DO NOT SCALE PRINT
		UNLESS OTHERWISE NOTED
		DIMENSIONS ARE IN INCHES
		TOLERANCES ARE:
		ONE PLACE (1.0) 0.030
		TWO PLACE (1.00) 0.015
		THREE PLACE (1.000) 0.005
		ANGLES 1/2
		WEIGHT .025 LB MAX

-L 117- 54-125 VAC

