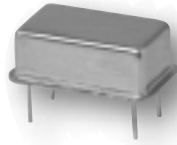


XO7010 Series VCXO

CRYSTAL OSCILLATORS

Applications

SONET/SDH
Cellular Base Stations
Phase Locking
Data Communications



Features

High Frequency Fundamental
Wide Pulling Range
Standard 14 Pin DIP/DIL

Typical Specifications

| Model | Frequency (MHz) | Temperature Range (°C) | Temperature Stability | Tuning | Output | Supply Voltage |
|---------|-----------------|------------------------|-----------------------|-------------------------|--|----------------|
| XO7010 | 155.52 | 0 to +85 | ±20 ppm | ±30 ppm | PECL | +5 V ±0.25 V |
| XO7011 | 155.52 | 0 to +85 | ±20 ppm | ±30 ppm | ECL | -5.1V ±0.25V |
| Options | 30- 200 | Consult Factory | | to ±75 ppm or no tuning | dual output pin 9 dual output pin 1 | |

Additional Specifications

Current 30 mA max
Electronic frequency control
Tuning voltage range 0 V to 5 V
Center frequency voltage 2.5 V ±0.5 V
Frequency tuning range ±30 to ±75 ppm
Transfer function Positive monotonic
Tune port modulation bandwidth 50 kHz min
Jitter 1.0 pSec max

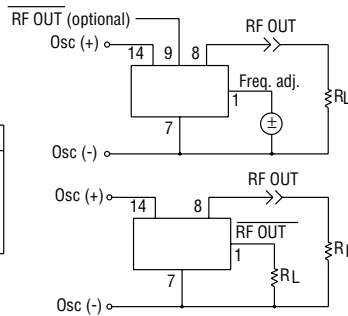
| Phase Noise @155 MHz | ± 30 | ± 75 |
|----------------------|-------------|-------------|
| 100 Hz | -95 dBc/Hz | -75 dBc/Hz |
| 1 kHz | -120 dBc/Hz | -105 dBc/Hz |
| 10 kHz | -140 dBc/Hz | -135 dBc/Hz |
| 100 kHz | -140 dBc/Hz | -135 dBc/Hz |
| 1 MHz | -140 dBc/Hz | -135 dBc/Hz |
| 10 MHz | -140 dBc/Hz | -135 dBc/Hz |

XO7010 Series

Dimensions are in inches (mm)

| PIN CONNECTIONS |
|----------------------------------|
| 1. FREQUENCY ADJUST OR RF OUTPUT |
| 7. CASE GROUND & SUPPLY RETURN |
| 8. RF OUTPUT |
| 9. RF OUTPUT (optional) |
| 14. SUPPLY (+) |

Pin numbers shown for ref. only.
Numbers are not marked on unit.

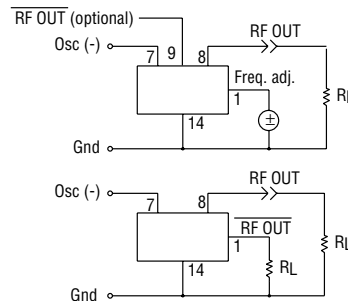


XO7011 Series

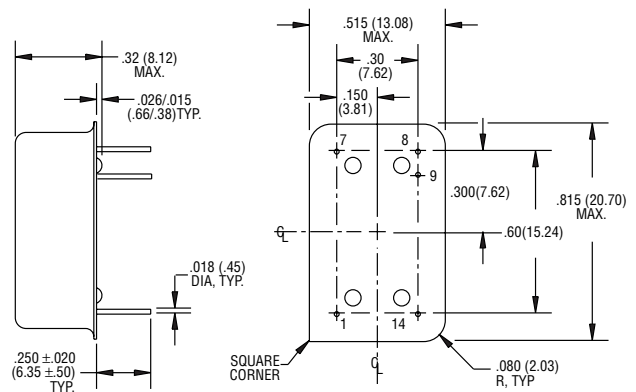
Dimensions are in inches (mm)

| PIN CONNECTIONS |
|----------------------------------|
| 1. FREQUENCY ADJUST OR RF OUTPUT |
| 7. SUPPLY (-) |
| 8. RF OUTPUT |
| 9. RF OUTPUT (optional) |
| 14. CASE GROUND & SUPPLY RETURN |

Pin numbers shown for ref. only.
Numbers are not marked on unit.



XO7010 & XO7011 Series



Specifications are subject to change without notice.

Visit our web site at <http://www.piezotech.com>

