

Tous droits strictement reserves. Reproduction ou communication a des tiers interdite sous quelque forme que ce soit sans autorisation ecrite du proprietaire. Propriete de c FCI. Droits de reproduction FCI.

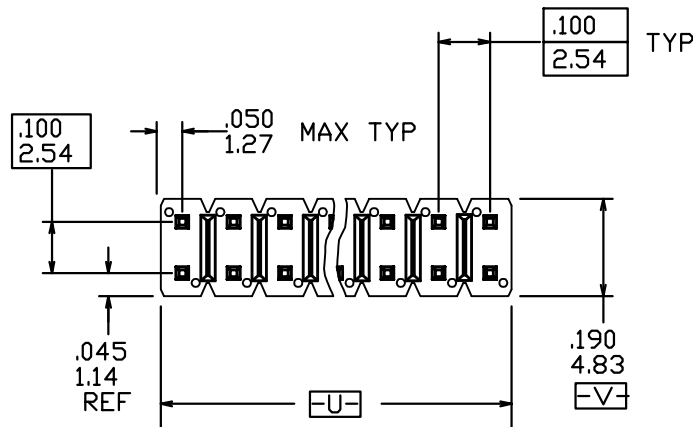
All rights strictly reserved. Reproduction or issue to third parties in any form whatever is not permitted without written authority from the proprietor. Property of FCI. Copyright FCI.



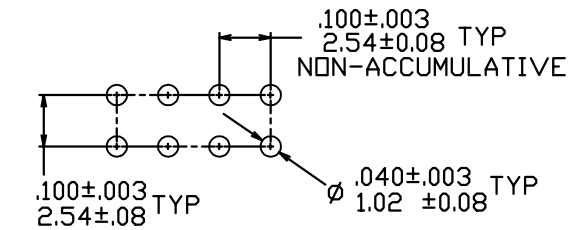
PRODUCT NUMBER

XXXXX-YYYHT

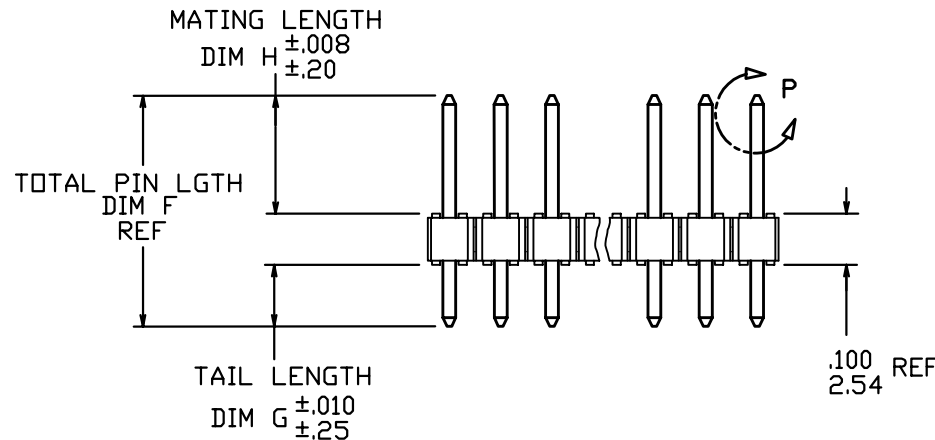
- TUBE PACKAGING OPTION
SEE NOTE 8
- HIGH TEMPERATURE PLASTIC
SEE NOTE 1
- NO OF POSITIONS
SEE NOTE 3
- PIN PLATING
SEE SHEET 2
- BASE PART NO.



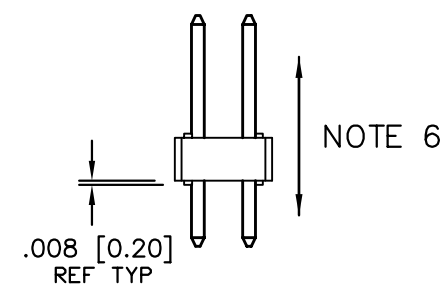
TOP VIEW



RECOMMENDED HOLE PATTERN



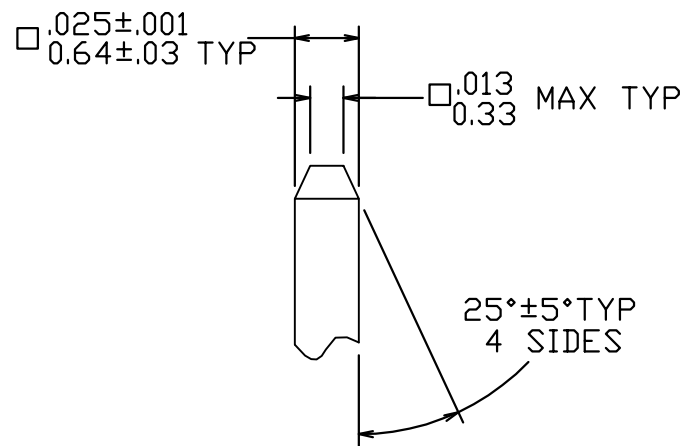
SIDE VIEW



END VIEW

⊕ ∅ .020/.51 (M) U (M) V (S)

NOTE 4



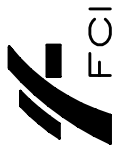
DETAIL P
TYP BOTH ENDS

mat'l. code NOTES 1 & 2				tolerances unless otherwise specified		CUSTOMER COPY	Electronics FCI www.fciconnect.com	
ltr	ecn no	dr	date	linear	.XX ±.01/.3		projection ⊕ ↗	title BERGSTIK® II HEADER .100/2.54 DR SELF-RET.
AA	V50267	HTB	02/22/95	linear	.XXX ±.005/0.13	INCH/MM ↔		product family BERGSTIK
AB	V61045	EPK	08/01/96	angles	.XXXX ±.0020/0.051		scale 2:1	code 213
AC	V70891	HTB	06/05/97	dr	0° ±2°	A		sheet 1 of 4
AD	V71402	HTB	09/29/97	dr	T.BREWBAKER 07/29/94		size 69192	
AE	V94305	DAI	10/31/99	enr	T.HANNA 07/29/94	sheet 1 of 4		
AF	V20461	GIP	03/07/02	chr	J.MURPHY 07/29/94	sheet 1 of 4		
AG	V20801	GIP	04/29/02	appd	T.HANNA 07/29/94	sheet 1 of 4		
sheet index	revision sheet	AG 1	AG 2	AF 3	AF 4	cage code 22526		

ACAD

Tous droits strictement reserves. Reproduction ou communication a des tiers interdite sous quelque forme que ce soit sans autorisation ecrite du proprietaire. Propriete de c FCI. Droits de reproduction FCI.

All rights strictly reserved. Reproduction or issue to third parties in any form whatever is not permitted without written authority from the proprietor. Property of FCI. Copyright FCI.



PIN PLATING CODES:

- XXXXX-1YY 30u"/0.76u MIN Au OVER 50u"/1.27u MIN Ni
- XXXXX-2YY 15u"/0.38u MIN Au OVER 50u"/1.27u MIN Ni
- XXXXX-3YY 50u"/1.27u MIN Au OVER 50u"/1.27u MIN Ni
- XXXXX-4YY 120u"/3.05u MIN 93/7 SnPb OVER 50u"/1.27u MIN Ni
- XXXXX-5YY 15u"/0.38u MIN Au OVER 50u"/1.27u MIN Ni
- XXXXX-6YY 30u"/0.76u MIN Au OVER 50u"/1.27u MIN Ni

NOTES

- ① BODY MATERIAL: MANUFACTURER'S OPTION OF NYLON OR PCT, GLASS FIBER REINFORCED, FLAME RETARDENT PER UL-94V-0. COLOR: BLACK FOR HIGH-TEMPERATURE APPLICATIONS, SPECIFY AN "H" AT THE END OF THE PART NUMBER, AND PCT WILL BE SUPPLIED.
- ② PIN MATERIAL: PHOS-BRONZE.
- ③ ANY NUMBER OF POSITIONS FROM 2 (2X1) THRU 72 (2X36).
- ④ MEASURED WITH PART IN RESTRAINED CONDITION.
- ⑤ TWO SIDES OF PIN TIPS NOT PLATED. TYPICAL BOTH ENDS.
- ⑥ 2LBS/0.9KG MIN PIN RETENTION IN EITHER DIRECTION.
- ⑦ PACKAGED IN POLY BAGS.
- ⑧ EIGHT DIGIT PART NUMBERS FOLLOWED BY A "T" ARE PACKAGED IN TUBES. SEE SPECIFIC PART NUMBERS FOR AVAILABILITY.
- ⑨ ±.010/0.25 TOL. APPLIES TO ALL "G" TAILS EXCEPT INDICATED PARTS ON TABLE WHERE +.010/0.25,-.000/0.00 APPLIES.
- ⑩ SECTION R-R DIMENSIONS APPLY TO RETENTION PIN POSITIONS ONLY. LOCATED AT MANUFACTURES OPTION.
- ⑪ 5LB/2.3KG MAX INSERTION FORCE AND .25LB/.1KG MIN RETENTION FORCE PER RETENTIVE PIN USING .062/1.57 THICK CIRCUIT BOARDS AND RECOMMENDED HOLE PATTERN.

mat'l. code				tolerances unless otherwise specified		CUSTOMER COPY		 www.fciconnect.com			
ltr	ecn no	dr	date	linear	.XX ±.01/.3		projection	title			
AG					.XXX ±.005/0.13			BERGSTIK® II HEADER			
					.XXXX ±.0020/0.051			.100/2.54 DR SELF-RET.			
				angles	0° ±2°		INCH/MM	product family		code	
				dr	E.KROPIEWNICKI	08/01/96		BERGSTIK		213	
				enr	T.BREWBAKER	08/01/96	scale	size		sheet	
				chr	T.BREWBAKER	08/01/96		A		2 of	
				appd	T.BREWBAKER	08/01/96		69192			
sheet index	revision sheet										

cage code
22526

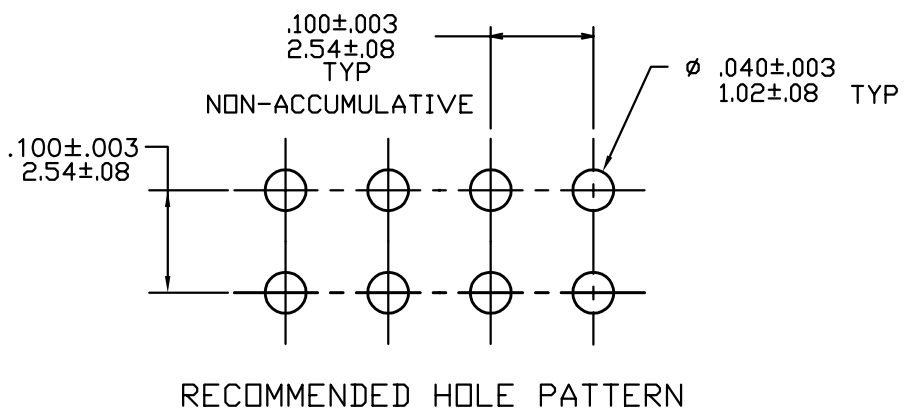
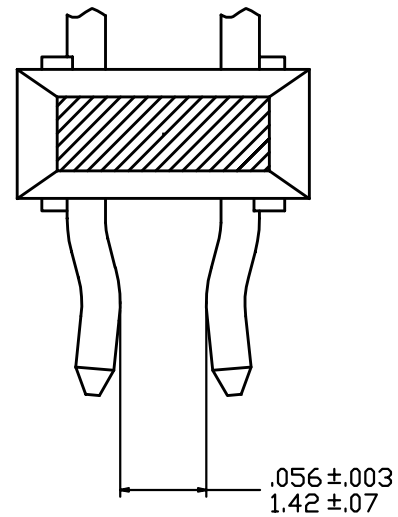
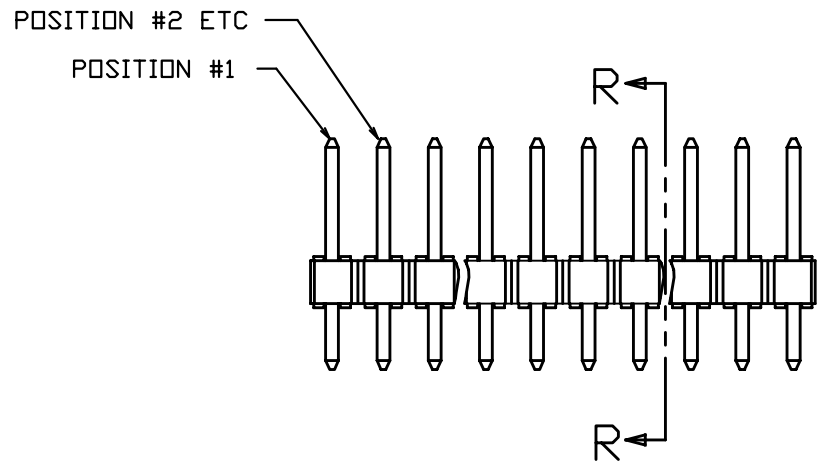
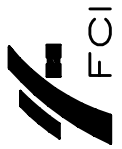
ACAD

PDM: Rev:AG STATUS: Released

Printed: Aug 02, 2002

Tous droits strictement reserves. Reproduction ou communication a des tiers interdite sous quelque forme que ce soit sans autorisation ecrite du proprietaire. Propriete de c FCI. Droits de reproduction FCI.

All rights strictly reserved. Reproduction or issue to third parties in any form whatever is not permitted without written authority from the proprietor. Property of FCI. Copyright FCI.



mat'l. code				tolerances unless otherwise specified		CUSTOMER COPY	Electronics www.fciconnect.com	
ltr	ecn no	dr	date	linear	.XX ±.01/.3		projection	title
AF					.XXX ±.005/0.13			BERGSTIK® II HEADER
				angles	.XXXX ±.0020/0.051		INCH/MM	.100/2.54 DR SELF-RET.
				dr	0° ±2°	scale		product family
				enr	E.KROPIEWNICKI 08/01/96		2:1	BEERGSTIK
				chr	T.BREWBAKER 08/01/96	A		size
				appd	T.BREWBAKER 08/01/96		69192	dwg no
sheet index	revision sheet							

cage code 22526

Tous droits strictement reserves. Reproduction ou communication a des tiers interdite sous quelque forme que ce soit sans autorisation ecrite du proprietaire. Propriete de c FCI. Droits de reproduction FCI.

All rights strictly reserved. Reproduction or issue to third parties in any form whatever is not permitted without written authority from the proprietor. Property of FCI. Copyright FCI.



PRODUCT NUMBER	1 2		TAIL LENGTH		MATING LENGTH		PACKAGING	NOTES
	DIM F	DIM F	DIM G	DIM G	DIM H	DIM H		
	ENGLISH	METRIC	ENGLISH	METRIC	ENGLISH	METRIC		
69192-YYY	0.450	11.43	0.120	3.05	0.230	5.84	POLY BAGS/TUBES	
78252-YYY	U N A V A I L A B L E							
78548-YYY	0.538	13.67	0.120	3.05	0.318	8.08	POLY BAGS	
78577-YYY	0.650	16.51	0.120	3.05	0.430	10.92	POLY BAGS	
79214-YYY	0.620	15.75	0.120	3.05	0.400	10.16	POLY BAGS	
79979-YYY	0.450	11.43	0.120	3.05	0.230	5.84	POLY BAGS/TUBES	9
86380-YYY	0.470	11.94	0.120	3.05	0.250	6.35	POLY BAGS	
86584-YYY	0.760	19.30	0.120	3.05	0.540	13.72	POLY BAGS	
87444-YYY	1.090	27.69	0.125	3.18	0.865	21.97	POLY BAGS	
87456-YYY	0.840	21.34	0.120	3.05	0.620	15.75	POLY BAGS	
87457-YYY	0.990	25.15	0.120	3.05	0.770	19.56	POLY BAGS	
87837-YYY	0.585	14.86	0.120	3.05	0.365	9.27	POLY BAGS	
87920-YYY	0.830	21.08	0.120	3.05	0.610	15.49	POLY BAGS	
88526-YYY	1.340	34.04	0.120	3.05	1.120	28.45	POLY BAGS	
88714-YYY	0.640	16.26	0.120	3.05	0.420	10.67	POLY BAGS	
89580-YYY	0.930	23.62	0.120	3.05	0.710	18.03	POLY BAGS	
90824-YYY	0.420	10.67	0.120	3.05	0.200	5.08	POLY BAGS	
94654-XXYH	0.415	10.54	0.085	2.16	0.230	5.84	POLY BAGS	
95066-XXYH	1.240	31.50	0.120	3.05	1.020	25.91	POLY BAGS	
95654-XXYH	0.880	22.35	0.120	3.05	0.660	16.76	POLY BAGS	
98845-XXYH	0.572	14.54	0.120	3.00	0.354	9.00	POLY BAGS/TUBES	
10002463-XXYH	0.503	12.78	0.085	2.16	0.318	8.08	POLY BAGS	---

mat'l. code				tolerances unless otherwise specified		CUSTOMER COPY		Electronics www.fciconnect.com	
ltr	ecn no	dr	date	linear	.XX ±.01/.3		projection	title	
AF					.XXX ±.005/0.13			BERGSTIK® II HEADER	
					.XXXX ±.0020/0.051			.100/2.54 DR SELF-RET.	
				angles	0° ±2°			product family BERGSTIK	
				dr	E.KROPIEWICKI	08/01/96		code	
				enr	T.BREWBAKER	08/01/96	size		
				chr	T.BREWBAKER	08/01/96	213		
				appd	T.BREWBAKER	08/01/96	sheet		
sheet index		revision sheet				scale		4 of	
						1:1		A 69192	

cage code 22526

ACAD