

POWER SPLITTERS - 2 WAY 90°

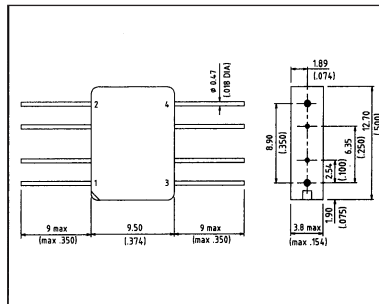
Features

- Broadband frequency range
- High isolation
- Surface Mount package available

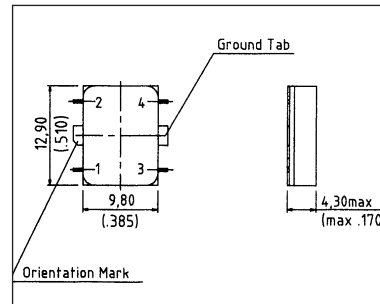
Operating characteristics

- Operating and storage temperature: - 55° C / + 100° C
- Soldering heat: 10 s at 265° C

Case drawings



FP2



SMM1

| Model N° | Freq. range (MHz) | | Insertion loss (dB) | | Amplitude unbalance (dB) | | Quadrature deviation (degree) | | Isolation (dB) | | Package |
|-----------|-------------------|------|---------------------|------|--------------------------|------|-------------------------------|------|----------------|------|---------|
| | min. | max. | typ. | max. | typ. | max. | typ. | max. | typ. | min. | |
| F53008-01 | 20 | 40 | 0.3 | 0.5 | 0.5 | 0.75 | 0.5 | 2 | 30 | 20 | FP2 |
| F53008-05 | 30 | 60 | 0.6 | 0.75 | 0.5 | 0.75 | 1 | 2 | 28 | 20 | FP2 |
| F53008-09 | 30 | 90 | 0.6 | 0.8 | 0.6 | 1 | 1.1 | 2 | 25 | 18 | FP2 |
| F53008-08 | 40 | 80 | 0.3 | 0.5 | 0.4 | 0.75 | 1 | 2 | 25 | 20 | FP2 |
| F53008-22 | 50 | 130 | 0.75 | 1 | 0.9 | 1 | 1 | 2 | 22 | 16 | FP2 |
| F53008-07 | 66 | 78 | 0.6 | 0.75 | 0.1 | 0.2 | 1 | 2 | 25 | 20 | FP2 |
| F53008-03 | 80 | 160 | 0.5 | 0.75 | 0.6 | 1 | 1 | 2 | 30 | 20 | FP2 |
| F53008-04 | 100 | 200 | 0.6 | 0.75 | 0.6 | 1 | 0.5 | 2 | 25 | 20 | FP2 |
| F53008-10 | 110 | 250 | 0.75 | 1 | 0.7 | 1 | 1 | 2 | 25 | 20 | FP2 |
| F53008-20 | 120 | 160 | 0.5 | 0.75 | 0.2 | 0.4 | 0.8 | 2 | 25 | 20 | FP2 |
| F53008-25 | 250 | 500 | 0.2 | 0.5 | 0.5 | 1 | 1 | 2 | 25 | 20 | FP2 |
| F53008-16 | 1000 | 2000 | 0.2 | 0.3 | 0.5 | 1 | 1 | 3 | 25 | 20 | FP2 |
| C53008-01 | 20 | 40 | 0.3 | 0.5 | 0.5 | 0.75 | 0.5 | 2 | 30 | 20 | SMM1 |
| C53008-05 | 30 | 60 | 0.6 | 0.75 | 0.5 | 0.75 | 1 | 2 | 28 | 20 | SMM1 |
| C53008-09 | 30 | 90 | 0.6 | 0.8 | 0.6 | 1 | 1.1 | 2 | 25 | 18 | SMM1 |
| C53008-08 | 40 | 80 | 0.3 | 0.5 | 0.4 | 0.75 | 1 | 2 | 25 | 20 | SMM1 |
| C53008-22 | 50 | 130 | 0.75 | 1 | 0.9 | 1 | 1 | 3 | 22 | 16 | SMM1 |
| C53008-07 | 66 | 78 | 0.6 | 0.75 | 0.1 | 0.2 | 1 | 2 | 25 | 20 | SMM1 |
| C53008-03 | 80 | 160 | 0.5 | 0.75 | 0.6 | 1 | 1 | 2 | 30 | 20 | SMM1 |
| C53008-04 | 100 | 200 | 0.6 | 0.75 | 0.6 | 1 | 0.8 | 2 | 25 | 20 | SMM1 |
| C53008-10 | 110 | 250 | 0.75 | 1 | 0.7 | 1 | 1 | 2 | 25 | 20 | SMM1 |
| C53008-20 | 120 | 160 | 0.5 | 0.75 | 0.2 | 0.4 | 0.8 | 2 | 25 | 20 | SMM1 |
| C53008-25 | 250 | 500 | 0.2 | 0.5 | 0.5 | 1 | 1 | 3 | 25 | 20 | SMM1 |