

OF3242N Advanced Information

10Gbps APD-Preamplifier surface mount receiver module

1. DESCRIPTION

OF3242N is a 10Gbps receiver module that incorporates an InGaAs avalanche photodiode and a low noise TIA in a hermetically sealed package. OF3242N adopts compact surface mount package, minimizing the space on PCB. The outline is based on a multi-source agreement (MSA) that defines small footprint coplanar OC-192 receivers.



2. FEATURES

- Data rate up to 10.7Gbps
- +3.3 single power supply
- Surface-mount and hermetically sealed package
- Small footprint coplanar output

3. APPLICATION

SONET OC-192/SDH STM-64 applications
DWDM

4. OPTICAL AND ELECTRICAL CHARACTERISTICS

(Wavelength=1550nm, Tc =25°C, VCC=+3.3V, unless otherwise specified)

Parameter	Symbol	Test Conditions	Min.	Typ.	Max.	Unit
Wavelength	λ	-	1250	--	1620	nm
APD Breakdown Voltage	VBR	ID=10 μ A	20	27	35	V
Temperature Coefficient of VBR	γ	-	0.03	0.05	0.07	V/°C
APD Responsivity	RAPD	$\lambda=1.55\mu\text{m}$	0.75	0.85	--	A/W
		$\lambda=1.31\mu\text{m}$	0.7	0.80	--	
Dark Current	ID	VB=0.9xVBR	--	--	100	nA
Transimpedance	Zt	RL=100 Ω , Pin=-25dBm Differential	0.8	1.4	--	k Ω
Bandwidth	BW	f-3dB, RL=50 Ω Pin=-25dBm, M=9	6.5	8.5	--	GHz
Sensitivity	Prmin	9.95328Gbps, NRZ, BER=10 ⁻¹² , PRBS2 ³¹ -1, Rext.=12dB, M=Mopt.	--	-27	-26	dBm
Overload	Prmax	9.95328Gbps, NRZ, BER=10 ⁻¹² , PRBS2 ³¹ -1 M=Mopt.	-7	-5	--	dBm
Equivalent Input Noise Current Density	In	Average within BW, Pin=0mW, RL=50 Ω , Single-ended	--	11	--	pA/ $\sqrt{\text{Hz}}$
Maximum Output Voltage Swing	Vout	Single-end, RL=50 Ω	300	450	570	mV
Supply Current	Icc		--	65	80	mA
Recommended TIA Supply Voltage	VCC	-	3.1	3.3	3.5	V
Output Return Loss	ERL	10MHz to 10GHz Differential S22	--	--	-8	dB
Optical Return Loss	ORL	-	--	--	-27	dB
Thermistor Resistance	Rth	Tthm=25°C	9	10	11	k Ω
Thermistor B Constant* ¹	B	---	3180	3380	3580	K

*1) Optional B constant of 3900+/-100K is available.

5. ABSOLUTE MAXIMUM RATING

(Ta = 25 °C, unless otherwise specified)

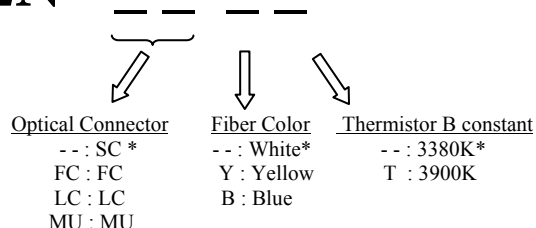
Parameter	Symbol	Rating	Unit
TIA Supply Voltage	V _{cc}	+5.0	V
APD Supply Voltage	VB	0 to VBR	V
Incident Optical Power	P _{in}	+0	dBm
Operating Temperature	T _c	-20 to +85	°C
Storage Temperature	T _{stg}	-40 to +85	°C

6. CONNECTOR AND FIBER SPECIFICATIONS

Parameter	Specifications	Unit
Type	SM	--
Flame Rating	UL94 V-0	--
	UL1581 VW-1	--
Mode Field Diameter	10	μm
Cladding Diameter	125	μm
Jacket Diameter	900	μm
Length	1	M
Standard Connector	SC/SPC	--
Standard Fiber Color	White	--

7. ORDERING INFORMATION

OF3242N -

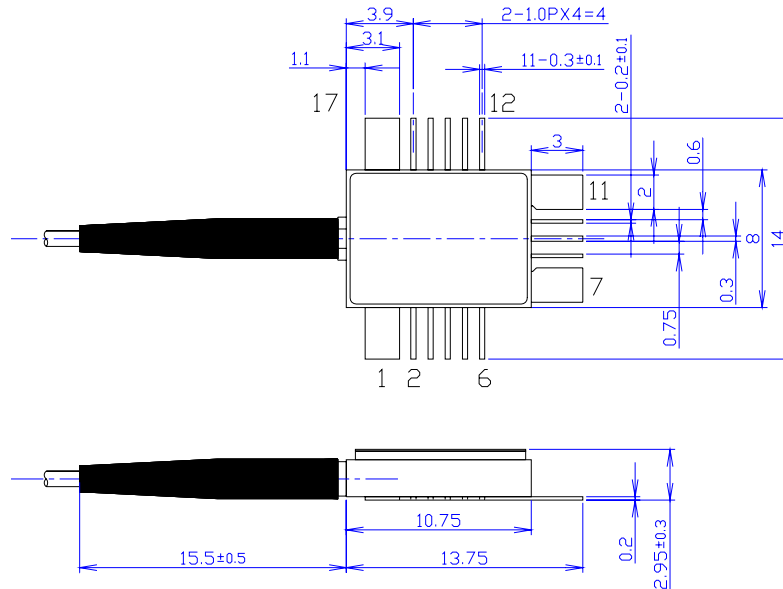


* : Standard product: No need to indicate.

8. OUTLINE DRAWING

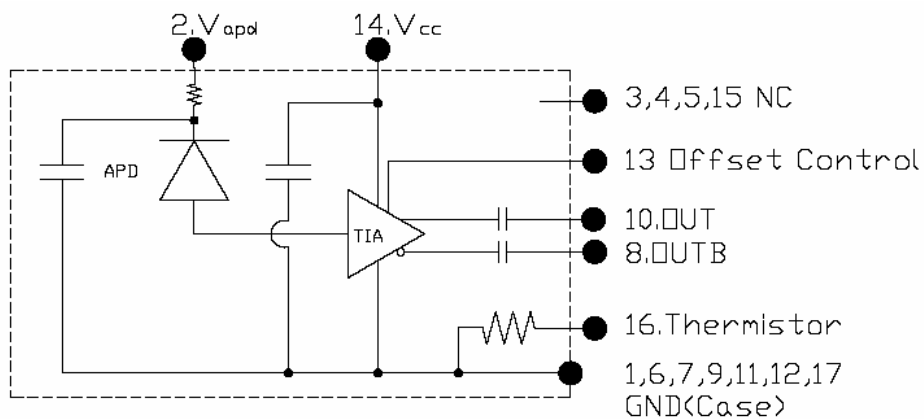
Package No. OF3242N (Unit: mm)

Note: Tolerances unless noted ±0.2



Pin Connection			
1	Case GND	10	OUT (AC-coupled)
2	V _{apd} (APD Bias)	11	Case GND
3	NC	12	Case GND
4	NC	13	Offset Control
5	NC	14	V _{cc} (TIA Power supply)
6	Case GND	15	NC
7	Case GND	16	Thermistor
8	OUTB(AC-coupled)	17	Case GND
9	Case GND		

9. BLOCK DIAGRAM



SAFETY INFORMATION ON THIS PRODUCT

TYPE :	_____
LOT NO:	_____
S/N :	_____
Q'TY :	_____ PCS.
MADE IN JAPAN	
	
OKI Electric Industry Co.,Ltd.	

Caution GaAs Product	<p>The product contains gallium arsenide, GaAs. GaAs vapor and powder are hazardous to human health if inhaled, ingested or swallowed.</p> <ul style="list-style-type: none"> Do not destroy or burn the product. Do not crush or chemically dissolve the product. Do not put the product in the mouth. <p>Observe related laws and company regulations when discarding this product. The product should be excluded from general industrial waste or household garbage.</p>
Caution Optical Fiber	<p>A glass-fiber is attached on the product. Handle with care. When the fiber is broken or damaged, handle carefully to avoid injury from the damaged part or fragments.</p>

Notice

1. The information contained herein can change without notice owing to product and/or technical improvements. Before using the product, please make sure that the information being referred to is up-to-date.
2. The outline of action and examples for application circuits described herein have been chosen as an explanation for the standard action and performance of the product. When planning to use the product, please ensure that the external conditions are reflected in the actual circuit, assembly, and program designs.
3. When designing your product, please use our product below the specified maximum ratings and within the specified operating ranges including, but not limited to, operating voltage, power dissipation, and operating temperature.
4. Oki assumes no responsibility or liability whatsoever for any failure or unusual or unexpected operation resulting from misuse, neglect, improper installation, repair, alteration or accident, improper handling, or unusual physical or electrical stress including, but not limited to, exposure to parameters beyond the specified maximum ratings or operation outside the specified operating range.
5. Neither indemnity against nor license of a third party's industrial and intellectual property right, etc. is granted by us in connection with the use of the product and/or the information and drawings contained herein. No responsibility is assumed by us for any infringement of a third party's right which may result from the use thereof.
6. The products listed in this document are intended for use in general electronics equipment for commercial applications (e.g., office automation, communication equipment, measurement equipment, consumer electronics, etc.). These products are not authorized for use in any system or application that requires special or enhanced quality and reliability characteristics nor in any system or application where the failure of such system or application may result in the loss or damage of property, or death or injury to humans. Such applications include, but are not limited to, traffic and automotive equipment, safety devices, aerospace equipment, nuclear power control, medical equipment, and life-support systems.
7. Certain products in this document may need government approval before they can be exported to particular countries. The purchaser assumes the responsibility of determining the legality of export of these products and will take appropriate and necessary steps at their own expense for these.
8. No part of the contents contained herein may be reprinted or reproduced without our prior permission.

Sales Support**JAPAN/ASIA Oki Electric Industry Co., Ltd.**

550-1, Higashiasakawa-cho, Hachioji-shi, Tokyo 193-8550
 Phone: +81-426-62-6646
 INTERNET: <http://www.oki.com>

AMERICA Oki Optical Components

785 North Mary Avenue, Sunnyvale, CA 94086
 Phone: +1-408-737-6379 Fax: +1-408-737-6579
 INTERNET: <http://www.okioptical.com>

EUROPE Oki Electric Europe GmbH

D-41460 Neuss, Germany
 Phone: +49-2131-15960 Fax: +49-2131-103539
 INTERNET: <http://www.oki-europe.de>

Copyright 2005 Oki Electric Industry Co., Ltd