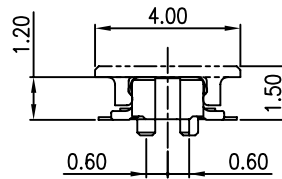


RECOMMENDED PCB LAYOUT
GENERAL TOLERANCE ± 0.05



NOTES:

- MATERIAL:
1.1 HOUSING: THERMOPLASTIC, HIGH TEMP., UL94V-0; COLOR:BLACK.
1.2 CONTACT: COPPER ALLOY
- FINISH:
CONTACT:
GOLD FLASH PLATING OVERALL.
50~100u" NICKEL UNDERPLATING OVERALL.
- REFLOW SOLDER CAPABLE TO 260°C
PER ACES SPEC.
- SPEC. PLS. REFER TO PS-50003-XXXX-XXX
- PACKAGE PLS. REFER TO 88667-XXXX-TRP(WITH FITTING NAIL)
REFER TO 88667-XXXX-AP-TRP(WITHOUT FITTING NAIL)
- PART NUMBER

50003-XXX X X-XXX		Other	Housing Color	With Boss	With Fitting Nail
NO OF CKT	002	Black	Y	Y	Y
	003	Black	N	Y	Y

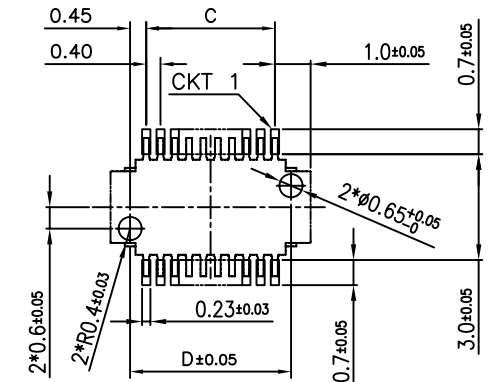
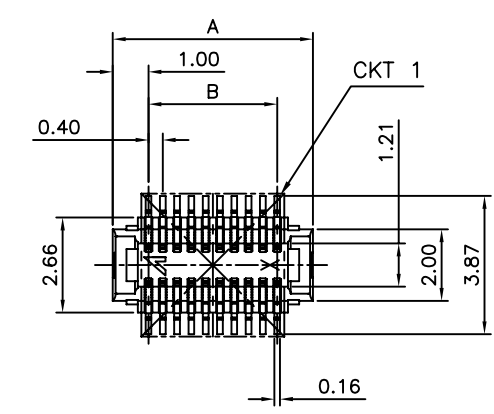
- PACKING
- 0:TAPE & REEL
 - 1:TUBE
 - 7:TAPE & REEL WITH COVER
 - 8:TUBE WITH COVER
- PLATING
- 1: G/F OVERALL

CKT	Dim A	Dim B	Dim C	Dim D
14	4.40	3.80	2.40	3.30
20	5.60	5.00	3.60	4.50
24	6.40	5.80	4.40	5.30
28	7.20	6.60	5.20	6.10
30	7.60	7.00	5.60	6.50
40	9.60	9.00	7.60	8.50
50	11.60	11.00	9.60	10.50
80	17.60	17.00	15.60	16.50

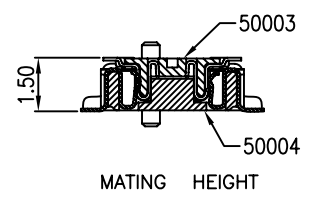
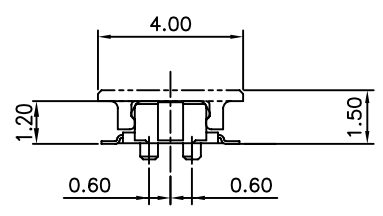
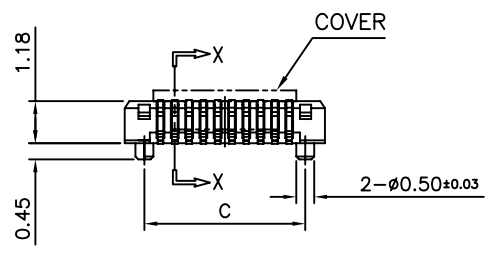
一般公差 TOLERANCES X ± 0.5 XX ± 0.15 X ± 0.25 XXX ± 0.1 ANGLES $\pm 2^\circ$		宏致電子股份有限公司 Aces Electronic Co.,Ltd.	
檢驗尺寸標示 SYMBOLS \oplus \ominus INDICATE CLASSIFICATION DIMENSION \oplus MARK IS CRITICAL DIM. \ominus MARK IS MAJOR DIM.	品名 (TITLE) 0.4 mm BTB CONNECTOR (PLUG) SMT S/T TYPE 圖號 (DWG.NO) 50003-XXXX-XXX	製圖 (DR) '11/05/12 GAVIN 審核 (CHKD) SAM 核准 (APPD) JASON	張數 (SHEET) 1 OF 2 比例 (SCALE) 5:1 單位 (UNITS) mm
表面處理 (FINISH)		比例 (SCALE) 5:1 單位 (UNITS) mm	張數 (SHEET) 1 OF 2 比例 (SCALE) 5:1 單位 (UNITS) mm



A B C D E F



RECOMMENDED PCB LAYOUT
GENERAL TOLERANCE ±0.05



NOTES:

- MATERIAL:
1.1 HOUSING: THERMOPLASTIC, HIGH TEMP., UL94V-0; COLOR:BLACK.
1.2 CONTACT: COPPER ALLOY
- FINISH:
CONTACT:
GOLD FLASH PLATING OVERALL.
50~100u" NICKEL UNDERPLATING OVERALL.
- REFLOW SOLDER CAPABLE TO 260°C
PER ACES SPEC.
- SPEC. PLS. REFER TO PS-50003-xxxx-xxx
- PACKAGE PLS. REFER TO 88667-XXXX-TRP(WITH FITTING NAIL)
REFER TO 88667-XXXX-AP-TRP(WITHOUT FITTING NAIL)
- PART NUMBER

50003-XXX X X-XXX

Other	Housing Color	With Boss	With Fitting Nail
001	Black	N	N
004	Black	Y	N

NO OF CKT

PACKING

0:TAPE & REEL
1:TUBE
7:TAPE & REEL WITH COVER
8:TUBE WITH COVER

PLATING

1: G/F OVERALL

CKT	Dim A	Dim B	Dim C
14	4.40	2.40	3.30
20	5.60	3.60	4.50
24	6.40	4.40	5.30
28	7.20	5.20	6.10
30	7.60	5.60	6.50
40	9.60	7.60	8.50
50	11.60	9.60	10.50
80	17.60	15.60	16.50

一般公差 TOLERANCES X ±0.5 XX ±0.15 X ±0.25 XXX ±0.1 ANGLES ±2°		宏致電子股份有限公司 Aces Electronic Co.,Ltd.	
檢驗尺寸標示 SYMBOLS (M) (L) INDICATE CLASSIFICATION DIMENSION (M) MARK IS CRITICAL DIM. (L) MARK IS MAJOR DIM.	品名 (TITLE) 0.4 mm BTB CONNECTOR (PLUG) SMT S/T TYPE 圖號 (DWG.NO) 50003-XXXX-XXX	製圖 (DR) '11/05/12 GAVIN 審核 (CHKD) SAM 核准 (APPD) JASON	張數 (SHEET) 2 OF 2 比例 (SCALE) 5:1 單位 (UNITS) mm
表面處理 (FINISH)		尺寸 (SIZE) A4 頁數 (REV) B	圖號 (DWG.NO) 50003-XXXX-XXX

A B C D E F