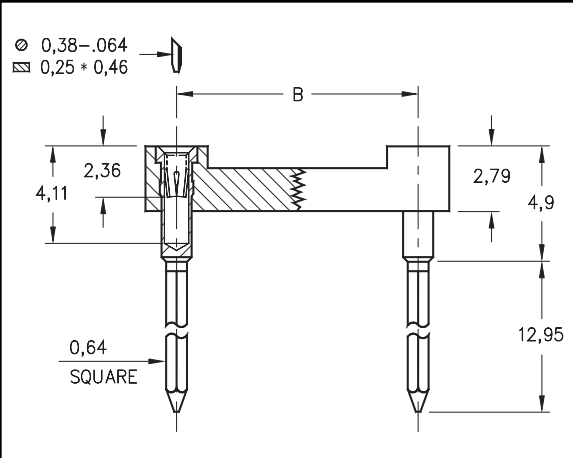


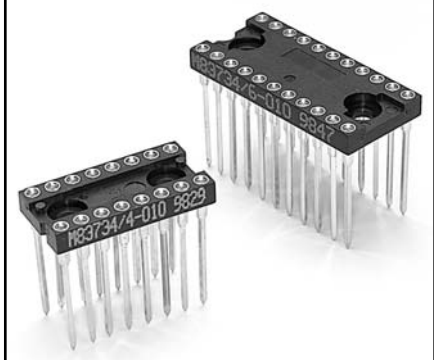


MILITARY DUAL-IN-LINE SOCKETS
MIL-S-83734 APPROVED
3 Level Wrappost, Closed Frame

Series 223...101



- Sockets are XY stackable.
- Machined outer sleeve with Hi-Rel, BeCu #30 inner contact.
- Socket pins feature closed-end construction eliminating any solder/flux wicking problems.
- Series 223 use MM #0038-3 pins. See page 166 for details.
- Insulators are high temperature thermoplastic.



Total number of pins				Quantity per tube	Ordering Information	
	A	B	C		Mill-Max Part Number	Military Part Number
6	7,6	7,62	10,1	67	223-XX-306-41-101000	M83734/1-YYY
8	10,1	7,62	10,1	50	223-XX-308-41-101000	M83734/2-YYY
14	17,7	7,62	10,1	28	223-XX-314-41-101000	M83734/3-YYY
16	20,3	7,62	10,1	25	223-XX-316-41-101000	M83734/4-YYY
18	22,8	7,62	10,1	22	223-XX-318-41-101000	M83734/5-YYY
20	25,3	7,62	10,1	20	223-XX-320-41-101000	M83734/13-YYY
22	27,8	10,16	12,7	18	223-XX-422-41-101000	M83734/6-YYY
24	30,4	15,24	17,7	16	223-XX-624-41-101000	M83734/8-YYY
28	35,5	15,24	17,7	14	223-XX-628-41-101000	M83734/7-YYY
32	40,6	15,24	17,7	10	223-XX-632-41-101000	M83734/17-YYY
40	50,8	15,24	17,7	8	223-XX-640-41-101000	M83734/10-YYY
64	81,2	22,86	25,3	6	223-XX-964-41-101000	M83734/15-YYY

*For Electrical,
Mechanical & Environmental
Data, See pg. 4*

*XX=Plating Code
See Below*

SEE PAGE 35 FOR COMPLETE QPL			
SPECIFY MILL-MAX PLATING CODE XX=	33	83	88
FOR MILITARY CODE YYY=	010	011	012
(32 PIN ONLY) YYY=	007	008	009
Sleeve (Pin)	0,76µm Au	7,62µm Sn/Pb	7,62µm Sn/Pb
Contact (Clip)	0,76µm Au	0,76µm Au	2,54µm Sn/Pb