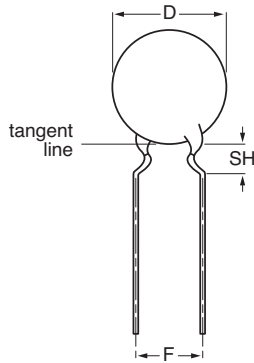
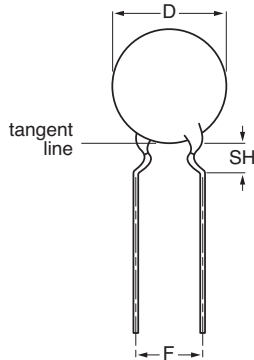


Ceramic Disc Capacitors

Class 1 and 2, 500 V (DC) General Purpose



Capacitors with 5 mm (0.20") lead spacing



Capacitors with 7.5 mm (0.30") lead spacing

SECTIONAL SPECIFICATIONS:

Class 1 IEC 60 384-8

Class 2 IEC 60 384-9

EIA 198

CLIMATIC CATEGORY:

Class 1 55/125/21

Class 2 10/85/21, 30/85/21 and 55/85/21

OPERATING TEMPERATURE RANGE:

Class 1 - 55 to + 125 °C

Class 2 - 55 to + 85 °C

MARKING

Marking indicates capacitance value and tolerance in accordance with "EIA 198"

The capacitors meet the essential requirements of "EIA 198". Unless stated otherwise all electrical values apply at an ambient temperature of 25 ± 3 °C, at normal atmospheric conditions.

FEATURES

- Low losses
- High stability
- High capacitance in small size
- Kinked (preferred) or straight leads
- Lead (Pb)-free available


RoHS
COMPLIANT

APPLICATIONS

- Bypassing
- Coupling
- Resonant circuit

DESIGN

The capacitors consist of a ceramic disc both sides of which are silver-plated. Connection leads are made of tinned copper having a diameter of 0.6 mm.

The capacitors have inward kinked leads with a spacing of 5 mm (0.200") or 7.5 mm (0.300") and a lead length from 4 to 30 mm. Encapsulation is made of phenolic resin.

CAPACITANCE RANGE:

Class 1, at 1 MHz, 1.2 V (RMS); 10 to 82 pF

 1 kHz, 1 ± 0.2 V (RMS) for capacitance values higher than 1000 pF

 Class 2, at 1 kHz, 1 ± 0.2 V (RMS); 100 to 22 000 pF

RATED DC VOLTAGE:

500 V

DIELECTRIC STRENGTH:

250 % of rated voltage

INSULATION RESISTANCE AT 500 V (DC):
 $\geq 10\,000\text{ M}\Omega$
TOLERANCE ON CAPACITANCE:
 $\pm 5\%$; $\pm 10\%$; $\pm 20\%$; +80/-20%

DISSIPATION FACTOR:

 Class 1, $C \leq 30\text{ pF}$; $\leq 20 \times (10/C + 0.7) \times 10^{-4}$ maximum

 Class 1, $C > 30\text{ pF}$; $\leq 0.2\%$

 Class 2, $\leq 3.0\%$
TEMPERATURE COEFFICIENTS:

Class 1 C0G (NP0); SL0

Class 2 Y5P; Z5U; Y5V; X5F

ORDERING INFORMATION (PREFERRED TYPES), CLASS 1, 500 V (DC), KINKED					
C (pF)	TOL. (%)	D _{max} (mm)	LEAD SPACING F (mm)	SH ⁽²⁾ (mm)	CLEAR TEXT CODE
					13 th DIGIT: T = REEL; U = AMMO; 3 = BULK 16 th DIGIT: R = RoHS COMPLIANT
CLASS 1 NP0					
10	± 5	5.0	5.0	4.0	D100J20C0GL6.J5.
12					D120J20C0GL6.J5.
15					D150J20C0GL6.J5.
18		D180J25C0GL6.J5.			
22		6.5			D220J25C0GL6.J5.
27					D270J25C0GL6.J5.
CLASS 1 SL0					
33	± 5	5.0	5.0	4.0	D330J20SL0L6.J5.
39					D390J20SL0L6.J5.
47					D470J20SL0L6.J5.
56		D560J20SL0L6.J5.			
68		6.5			D680J25SL0L6.J5.
82					D820J25SL0L6.J5.

Notes

1. Maximum thickness 4.0 mm
2. SH = seated height
3. Lead style codes refer to inward kinked leads. Other styles available on request

ORDERING INFORMATION (PREFERRED TYPES), CLASS 2, 500 V (DC), KINKED						
C (pF)	TOL. (%)	D _{max} (mm)	LEAD SPACING F (mm)	SH ⁽²⁾ (mm)	CLEAR TEXT CODE	
					13 th DIGIT: T = REEL; U = AMMO; 3 = BULK 16 th DIGIT: R = RoHS COMPLIANT	
CLASS 2 Y5P						
100	± 10	5.0	5.0	4.0	D101K20Y5PL6.J5.	
150					D151K20Y5PL6.J5.	
220					D221K20Y5PL6.J5.	
330					D331K20Y5PL6.J5.	
470					D471K20Y5PL6.J5.	
680					D681K25Y5PL6.J5.	
1000		6.5			5.0	D102K25Y5PL6.J5.
1500						D152K29Y5PL6.J5.
2200		7.5			D222K33Y5PL6.J5.	
3300		8.5			D332K39Y5PL6.J5.	
4700		10.0			D472K43Y5PL6.J5.	
6800		11.0			D682K53Y5PL6.J7	
10 000		13.5			7.5	D103K69Y5PL6.J7.
		17.5				
CLASS 2 Y5V						
1000	+ 80 /- 20	5.0	5.0	4.0	D102Z20Y5VL6.J5.	
1500					D152Z20Y5VL6.J5.	
2200	6.5	D222Z25Y5VL6.J5.				
3300		D322Z25Y5VL6.J5.				
4700	7.5	D472Z29Y5VL6.J5.				
6800	8.5	D682Z33Y5VL6.J5.				
10 000	10.0	D103Z39Y5VL6.J5.				
15 000	11.0	D153Z43Y5VL6.J5.				
22 000	13.5	7.5			D223Z53Y5VL6.J7.	



ORDERING INFORMATION (PREFERRED TYPES), CLASS 2, 500 V (DC), KINKED					
C (pF)	TOL. (%)	D _{max} (mm)	LEAD SPACING F (mm)	SH ⁽²⁾ (mm)	CLEAR TEXT CODE
					13 th DIGIT: T = REEL; U = AMMO; 3 = BULK 16 th DIGIT: R = RoHS COMPLIANT
CLASS 2 Z5U					
1000	± 20	5.0	5.0	4.0	D102M20Z5UL6.J5.
1500					D152M25Z5UL6.J5.
2200					D222M25Z5UL6.J5.
3300					D332M29Z5UL6.J5.
4700					D472M33Z5UL6.J5.
6800					D682M39Z5UL6.J5.
10 000		7.5	11.0	D103M43Z5UL6.J5.	
15 000			13.5	D153M53Z5UL6.J7.	
22 000			15.0	D223M59Z5UL6.J7.	
CLASS 2 X5F					
100	± 10	5.0	5.0	4.0	D101K20X5FL6.J5.R.
220					D221K20X5FL6.J5.R.
330					D331K20X5FL6.J5.R.
470					D471K25X5FL6.J5.R.
680					D681K25X5FL6.J5.R.
1000					7.5
2200		10.0	D222K39X5FL6.J5.R.		
3300		12.0	7.5	D332K47X5FL6.J7R.	
4700		13.5	7.5	4.8	D472K53X5FL6.J7R.

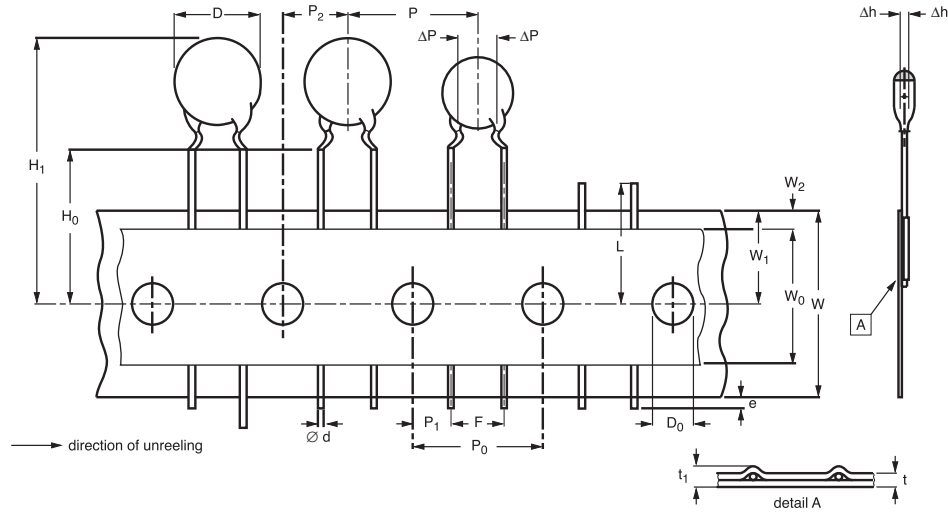
Notes

1. Maximum thickness 4.0 mm
2. SH = seated height
3. Lead style codes refer to inward kinked leads. Other styles available on request

PACKAGING				
D _{max} mm	SIZE CODE	PACKAGING QUANTITIES		
		BULK	REEL	AMMO
5.0 (0.20")	20	1000	2000	2000
6.5 (0.25")	25			
7.5 (0.29")	29			
8.5 (0.33")	33			
10.0 (0.39")	39			
11.0 (0.43")	43			
12.0 (0.47")	47	500	-	-
13.5 (0.53")	53			
15.0 (0.59")	59			
17.5 (0.69")	69			

Note

1. The capacitors are supplied in bulk packaging (cardboard boxes), in tape on reel or in ammopack.



Kinked capacitors on tape, lead spacing 5.0 mm (0.2 inch)

DIMENSIONS OF TAPE			
SYMBOL	PARAMETER	DIMENSIONS (mm)	
		NOMINAL	TOLERANCE
D	body diameter	11.0 maximum	-
d	lead diameter	0.6	± 0.05
P	pitch between capacitors	12.7	± 1.0
P ₀	feed-hole pitch	12.7	± 0.3; note 1
ΔP	plane deviation	1.0 maximum	-
P ₁	feed-hole centre to lead centre	3.85	± 0.7; note 2
P ₂	feed-hole centre to component centre	6.35	± 1.3; note 2
F	lead spacing	5.0	+ 0.6 - 0.4
Δh	component alignment	0	± 1.0
W	tape width	18.0	+ 1.0 - 0.5
W ₀	hold-down tape width	5.0 minimum	-
W ₁	hole position	9.0	+ 0.75 - 0.5
W ₂	hold-down tape margin	3.0 maximum	-
H ₀	height to seating plane	16.0	± 0.5
H ₁	maximum component height	32.0	-
e	lead end protrusion	1.0 maximum	-
L	maximum length of snapped lead	11.0	-
D ₀	feed-hole diameter	4.0	± 0.2
t	total tape thickness	0.9 maximum	-
t ₁	maximum thickness of tape and wires	1.5 maximum	-

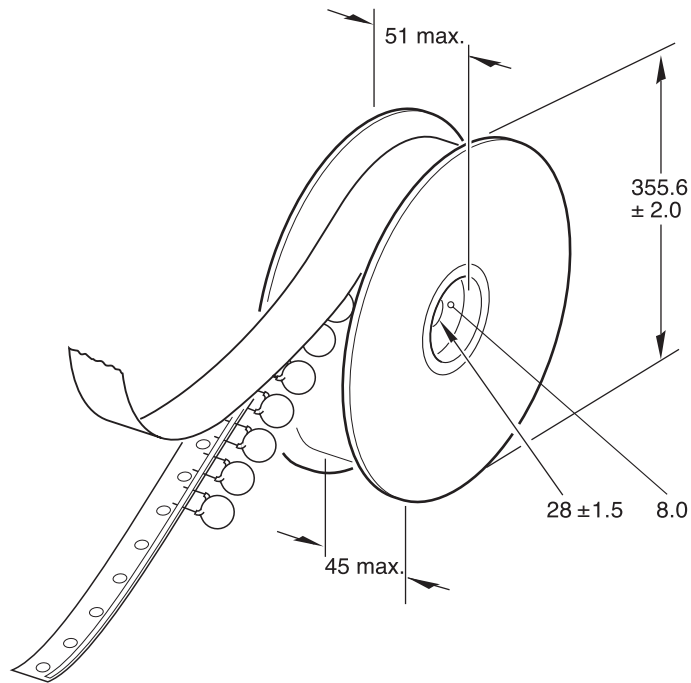
Notes

1. Cumulative pitch error: $\pm \leq 1 \text{ mm}/20 \text{ pitches}$
2. Obliquity maximum 3°

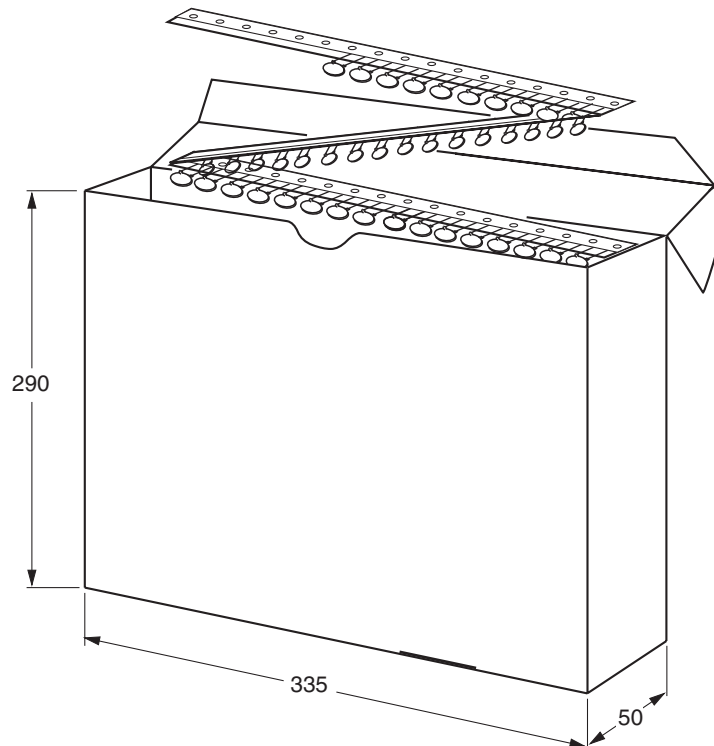
Ceramic Disc Capacitors
Class 1 and 2, 500 V (DC) General Purpose

Vishay BCcomponents

REEL AND TAPE DATA in millimeters



Reel with capacitors on tape



Ampopack with capacitors on tape



Disclaimer

All product specifications and data are subject to change without notice.

Vishay Intertechnology, Inc., its affiliates, agents, and employees, and all persons acting on its or their behalf (collectively, "Vishay"), disclaim any and all liability for any errors, inaccuracies or incompleteness contained herein or in any other disclosure relating to any product.

Vishay disclaims any and all liability arising out of the use or application of any product described herein or of any information provided herein to the maximum extent permitted by law. The product specifications do not expand or otherwise modify Vishay's terms and conditions of purchase, including but not limited to the warranty expressed therein, which apply to these products.

No license, express or implied, by estoppel or otherwise, to any intellectual property rights is granted by this document or by any conduct of Vishay.

The products shown herein are not designed for use in medical, life-saving, or life-sustaining applications unless otherwise expressly indicated. Customers using or selling Vishay products not expressly indicated for use in such applications do so entirely at their own risk and agree to fully indemnify Vishay for any damages arising or resulting from such use or sale. Please contact authorized Vishay personnel to obtain written terms and conditions regarding products designed for such applications.

Product names and markings noted herein may be trademarks of their respective owners.