

AMPLIFIERS
THIN FILM - BIPOLAR
T01000 & F56300 SERIES

Description

- Low noise amplifier
- Medium power amplifier

Features

- Frequency range: 1 to 2100 MHz
- Hermetic package

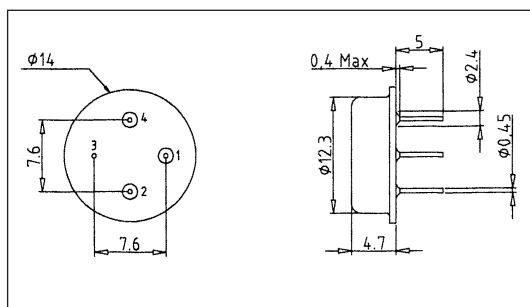
Applications

- Military and space
- Telecommunications

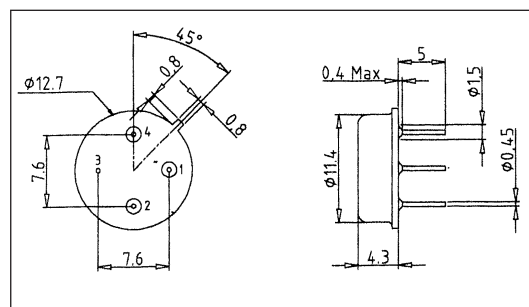
Operating characteristics

- Impedance: 50 Ω nominal
- Temperature range: - 40° C to + 110° C

Case drawing



T08 144



T08 124

Pin configuration

Case	Input	Output	VDC	Ground
T08 144	2	4	1	3
T08 124	2	4	1	3

AMPLIFIERS

Thin film - Bipolar



Electrical characteristics

Model N°	Frequency range (MHz)		Power output @ 1 dB comp. (dBm)	Noise figure (dB) max	Gain (±dB) min	3rd order inter. point (dBm)	Flat (± dB) max	VSWR max	DC supply		Case type
	min	max							(V)	(mA)	
F56341	1	150	17	8	12.5	28	0.5	2	15	65	TO8 144
F56342 B	1	250	11	6	14.5	21	1	2	15	30	TO8 144
F56341 B*	1	800	17	8.5	12	28	1	2	15	65	TO8 144
F56334	5	500	7	6	15	21	1	2	12	24	TO8 144
TO1211**	5	500	8	3.5	9.5	19	1	2	15	32	TO8 144
F56335 A*	5	1000	18	10	9.5	30	1.3	2	15	75	TO8 144
F56336 A	5	1000	4	5	13	15	1	2	12	17	TO8 144
F56337 A	5	1000	7	6	12	21	1	2	12	24	TO8 144
F56338 A	5	1000	14	7	12.5	28	1	2	12	44	TO8 144
F56338	100	1100	14	7	12	28	1	2	12	44	TO8 144
F56336	100	1100	4	5.5	13	15	1	2	12	17	TO8 144
F56345 B	100	1800	15	7.5	9	27	1	2	12	45	TO8 144
F56344 A	800	1400	17	12	7	30	1	2	12	60	TO8 144
F56345 A	800	1400	14	9.5	11	28	1	2	12	42	TO8 144
F56346	900	1400	7	7	9	20	1	2	12	26	TO8 144
TO1104	5	250	10	2.7	19	21	1	2	15	28	TO8 124
TO1209*	5	400	24	10	13	37	1	2	12	120	TO8 124
TO1215	5	500	20	8	12	32	1	2	12	80	TO8 124
TO1205*	5	500	22	8	12	34	1	2	15	100	TO8 124
TO1207	5	500	18.5	7.5	29	29	1	2	12	120	TO8 124
TO1208	5	500	18	3.7	13	33	1	2	12	53	TO8 124
TO1216	5	600	2	2.5	11	20	1	2	12	9	TO8 124
TO1206	5	600	4.5	2.5	11	20	1	2	15	11.5	TO8 124
TO1212	5	600	14.5	7	14	30	1	2	15	56	TO8 124
TO1313	5	1000	20	10	9	32	1	2	12	80	TO8 124
TO1304*	5	1000	22	10	9	34	1	2	15	100	TO8 124
TO1305*	5	1000	17	13	9	31	1	2	15	60	TO8 124
TO1306	5	1000	0	3	13	18	1	2	12	11	TO8 124
TO1307***	5	1000	10	3.7	13	27	1	2	12	24	TO8 124
TO1308	5	1000	12.5	3.8	24	25	1	2	15	48	TO8 124
TO1106	10	100	12	2.7	21	21	1	2	15	36	TO8 124
TO1103	10	150	23	4	13.5	32	0.5	2	15	90	TO8 124
TO1105	10	300	11	3	19	21	1	2	12	30	TO8 124
TO1301	100	1100	7	6	12.5	21	1	2	12	24	TO8 124
TO1311	100	1500	7	5	19	19	1.5	2	15	50	TO8 124
TO1404	100	2000	14.5	7	9.5	28	1	2	12	45	TO8 124
TO1406	300	1300	20	8.5	7	34	1.5	2	12	80	TO8 124
TO1401*	300	1300	22	9	7	36	1.5	2	15	100	TO8 124
TO1405	300	2100	16	9	7.5	28	1	2	12	40	TO8 124
TO1403	800	1300	3	3.5	13	14	1	2	12	15	TO8 124

Note : Please consult our sales office for 5 V DC Supply

- * T = - 40° C + 85° C
- ** 30 dB typ. reverse isolation
- *** Gain variation typ. < 0.5 dB (T = - 40° C + 110° C)

SALES OFFICES

WEB SITE: <http://www.tekelec-temex.com>