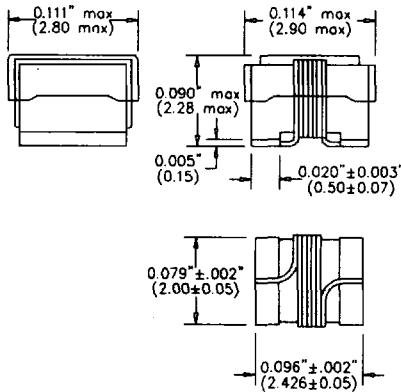


# Ceramic 1008 SURFACE MOUNT INDUCTOR 1008C Series

## 1008C Dimensions (mm)



**Operating Temperature Range** ..... -55°C to +105°C  
**Ambient Temperature** ..... 90°C, +15°C rise  
**Inductance Tolerance** .....  $\pm 10\%$  across inductance range  
**Available Options:** ..... Example:  
     T=Tape and Reel ..... 1008C151K-T  
     E=Epoxy Coated (standard) ..... 1008C151K-E  
     G=Gold Plated Terminals ..... 1008C151K-G  
     D=Tinned Terminals ..... 1008C151K-D  
**Packaging** ..... 1600/reel, bulk

Part Number	L (nH)	Q (min)	Test Freq. (MHz)	SRF min. (MHz)	DCR max. (mΩ)	Rated DC Curr. max. (mA)
1008C100M-E	10	30	100	1000	50	1650
1008C220M-E	22	40	100	1000	60	1450
1008C330K-E	33	50	100	1000	60	1450
1008C380K-E	38	50	100	1000	75	1300
1008C470K-E	47	50	100	1000	75	1300
1008C560K-E	56	50	100	1000	90	1260
1008C680K-E	68	50	100	1000	90	1260
1008C820K-E	82	50	100	1000	150	820
1008C101K-E	100	50	100	1000	150	820
1008C121K-E	120	40	100	1000	150	820
1008C151K-E	150	40	100	825	180	820
1008C181K-E	180	40	50	770	200	770
1008C221K-E	220	40	50	690	260	660
1008C271K-E	270	40	50	650	300	610
1008C331K-E	330	40	50	570	450	500
1008C391K-E	390	35	50	520	700	360
1008C471K-E	470	35	35	490	780	310
1008C561K-E	560	35	35	440	1200	260
1008C681K-E	680	35	35	390	2100	200
1008C821K-E	820	35	35	360	2300	170
1008C102K-E	1000	35	35	330	2700	170
1008C122K-E	1200	35	35	310	3000	170
1008C152K-E	1500	30	35	250	5200	170

\*Contact factory up to 5.6 uH.

Letter suffix on part number denotes tolerance: M =  $\pm 20\%$ , K =  $\pm 10\%$ , J =  $\pm 5\%$ , G =  $\pm 2\%$

All specifications subject to change without notice

125 Columbia, Suite B - Aliso Viejo, California 92656  
 (714) 448-7070 • FAX (714) 448-8484