

*RoHS COMPLIANT



BOURNS®

Features

- Diecast housing (bushing) and shaft
- Additional models and versions available; special data sheets can be requested
- Carbon resistive element

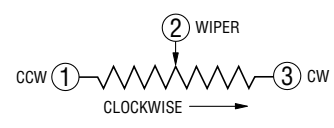
0502 - Rotary Potentiometer

Characteristics

Mechanical Angle.....270 ° ±5 °
 Starting Torque.....0.5 to 1.5 Ncm
 End Stop Strength.....60 Ncm max.
 Shaft Push-Pull Force.....100 N max.
 Resistance Range
100 ohms to 4.7 megohms
 Resistance Taper.....Linear
 Power Rating0.2 W
 Temperature Range.....-25 °C to +70 °C
 Rotational Life.....10,000 cycles

Standard Resistance Table

Resistance (Ohms)	Resistance Code
100	101
220	221
470	471
500	501
1,000	102
2,200	222
4,700	472
5,000	502
10,000	103
22,000	223
47,000	473
50,000	503
100,000	104
220,000	224
470,000	474
500,000	504
1,000,000	105

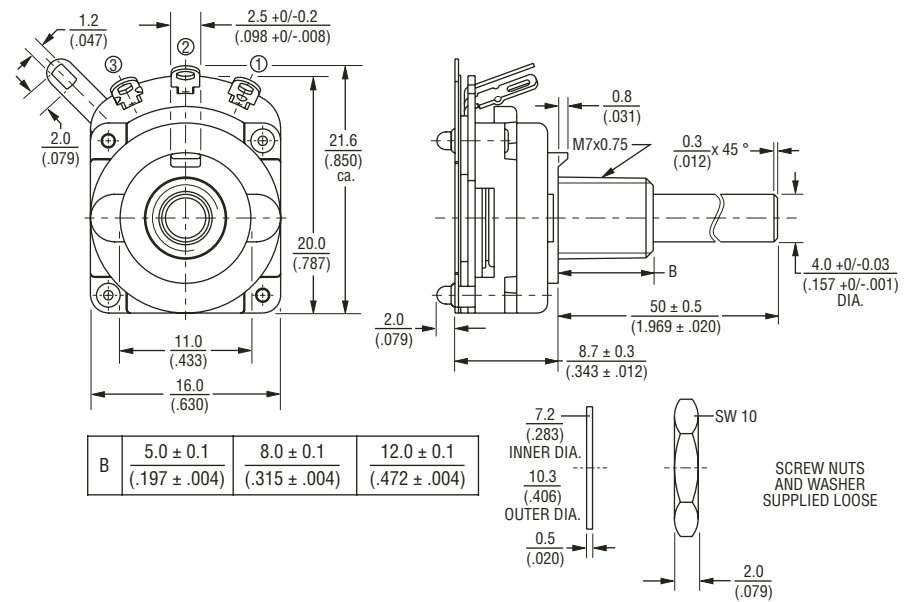


Sensors & Controls

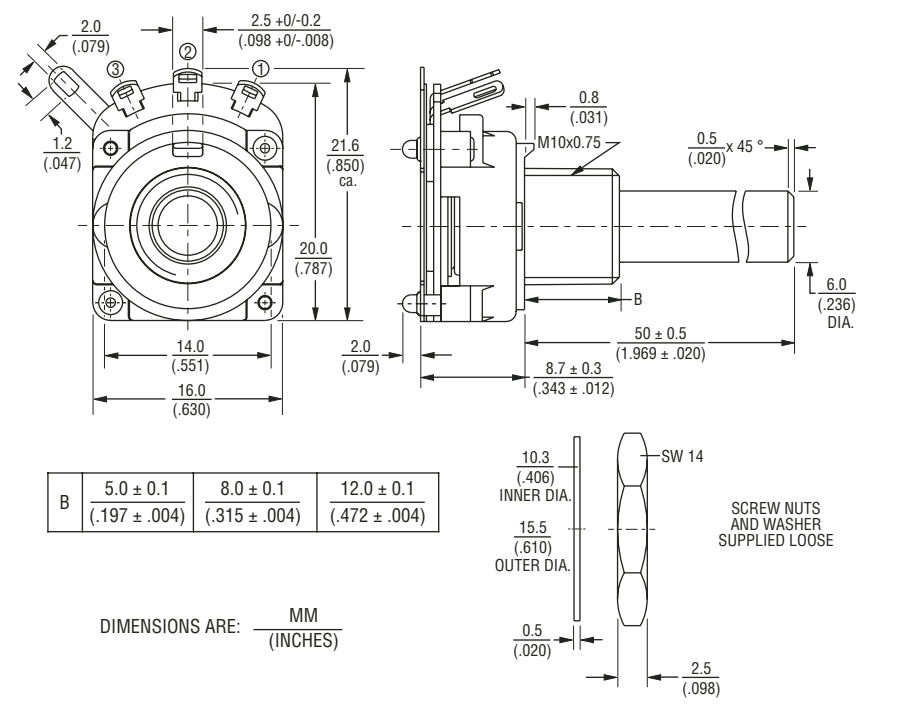
Asia-Pacific:
 Tel: +886-2 2562-4117
 Fax: +886-2 2562-4116
Europe:
 Tel: +41-41 768 5555
 Fax: +41-41 768 5510
The Americas:
 Tel: +1-951 781-5500
 Fax: +1-951 781-5700
www.bourns.com

Product Dimensions

0502-000



0502-050



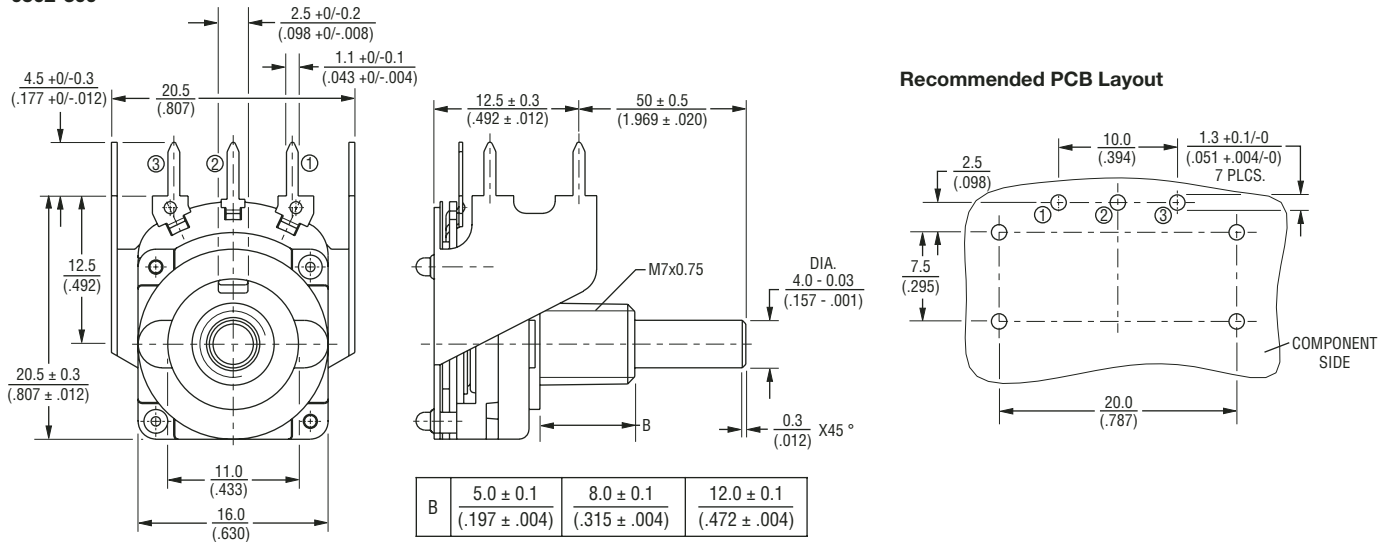
*RoHS Directive 2002/95/EC Jan 27 2003 including Annex Specifications are subject to change without notice. Customers should verify actual device performance in their specific applications.

0502 - Rotary Potentiometer

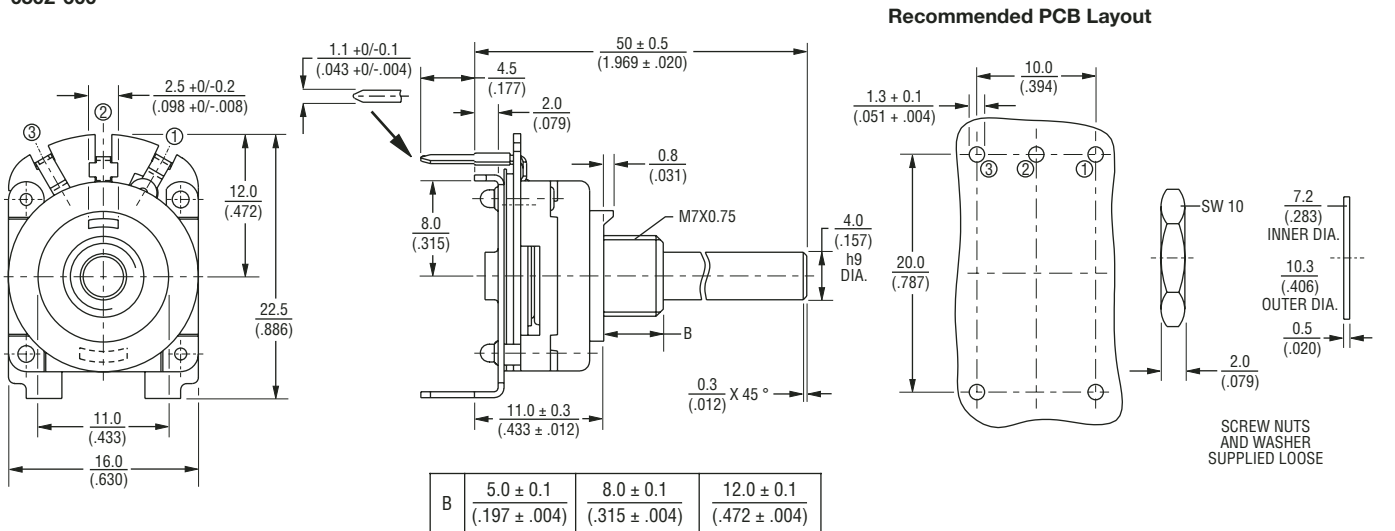
BOURNS®

Product Dimensions

0502-300



0502-600



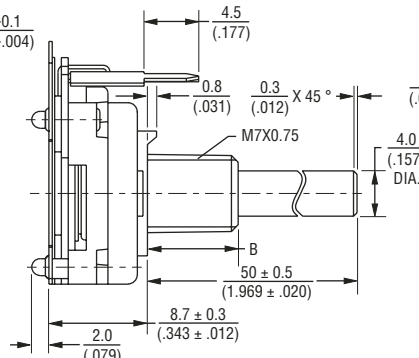
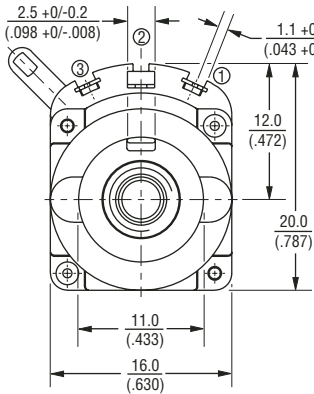
DIMENSIONS ARE: $\frac{MM}{(INCHES)}$

0502 - Rotary Potentiometer

BOURNS®

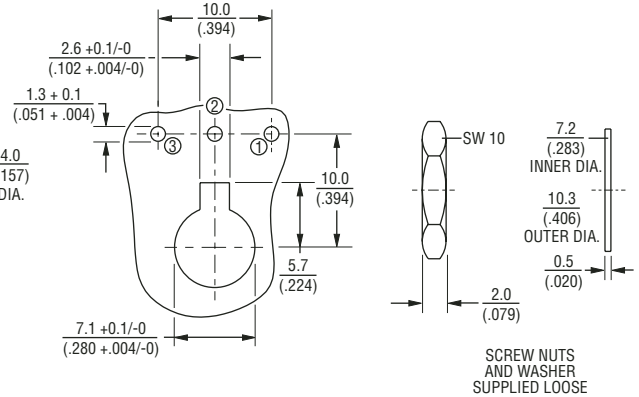
Product Dimensions

0502-900

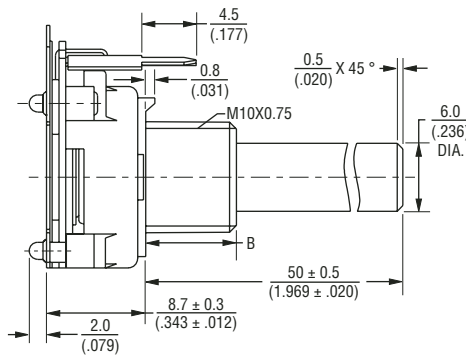
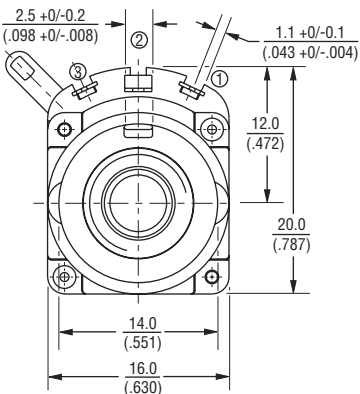


B	5.0 ± 0.1 (.197 ± .004)	8.0 ± 0.1 (.315 ± .004)	12.0 ± 0.1 (.472 ± .004)
---	----------------------------	----------------------------	-----------------------------

Recommended PCB Layout

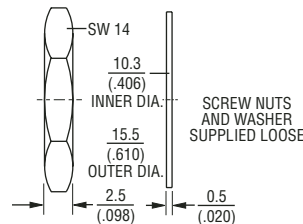
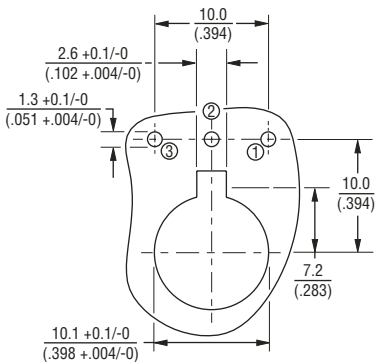


0502-950



B	5.0 ± 0.1 (.197 ± .004)	8.0 ± 0.1 (.315 ± .004)	12.0 ± 0.1 (.472 ± .004)
---	----------------------------	----------------------------	-----------------------------

Recommended PCB Layout



How to Order

0502 - 000 U 185 - A B 103

Model Type 0502

Terminal Style Only Available w/ Bushing Code:

- 000 G,H,U
- 050 K,M,N
- 300 G,H,U
- 600 G,H,U
- 900 G,H,U
- 950 K,M,N

Bushing & Shaft Type

- U = 7 mmD x 8 mmL, Shaft 4 mmD
- H = 7 mmD x 5 mmL, Shaft 4 mmD
- G = 7 mmD x 12 mmL, Shaft 4 mmD
- K = 10 mmD x 8 mmL, Shaft 6 mmD
- M = 10 mmD x 5 mmL, Shaft 6 mmD
- N = 10 mmD x 12 mmL, Shaft 6 mmD

Shaft Length

- 500 = 50 mm
- Other lengths avail. upon request.

Independent Linearity

- A = ±5 %
- B = ±4 %
- C = ±3 %
- D = ±2.5 %
- E = ±2 %

Element Taper

- B = Linear Carbon ±20 %
- E = Linear Carbon ±10 %
- L = Linear Carbon ±5 %

Resistance Code

Other versions available upon request.

DIMENSIONS ARE: $\frac{\text{MM}}{\text{(INCHES)}}$