

42143**RADIATION TOLERANT
POWER OPERATIONAL AMPLIFIER****Mii**HYBRID MICROELECTRONICS
PRODUCTS DIVISION**Features:**

- Designed for 100 krad(Si) Total Dose
- Hermetically Sealed in Metal Flat Package
- Performance over -55°C to $+125^{\circ}\text{C}$
- Wide Supply Voltage Range
- 2A Output Current
- Short Circuit Protection

Applications:

- Satellite/Space systems
- Military/High Reliability Systems
- Programmable Power Supplies
- Solenoid Driver
- Servo Motor Amplifier
- Synchro Power Amplifier

DESCRIPTION

The 42143 Power Operational Amplifier designed for military and space applications where radiation tolerance is required. Utilizing multi-chip hybrid construction, the 42143 Power Operational Amplifier combines 2A load current capability with the convenience of a monolithic operational amplifier. Output current limiting is provided using external resistors. The 42143 Power Operational Amplifier is supplied in an 8-pin metal flat package.

ABSOLUTE MAXIMUM RATINGS:

Supply Voltage ($\pm V_S$)	± 22 V
Input Voltage ⁽¹⁾	± 22 V
Differential Input Voltage ⁽²⁾	± 0.7
Peak Output Current ⁽³⁾	2 A
Storage Temperature Range	-65°C to $+150^{\circ}\text{C}$
Operating Junction Temperature	-55°C to $+150^{\circ}\text{C}$
Lead Solder Temperature for 10 seconds	300°C
Power Dissipation ⁽⁴⁾	83 W
Thermal Resistance (Junction to Case), θ_{JC}	1.5°C/W

WEIGHT: 15 grams (typical)

RECOMMENDED OPERATING CONDITIONS:

Parameter	Symbol	Min.	Max.	Units
Supply Voltage	$\pm V_S$	8	20	VDC
Ambient Temperature	T_A	-55	125	$^{\circ}\text{C}$

Micropac Industries cannot assume any responsibility for any circuits shown or represent that they are free from patent infringement.
Micropac reserves the right to make changes at any time in order to improve design and to supply the best product possible.

ELECTRICAL SPECIFICATIONS (Pre-Irradiation) $V_S = \pm 15\text{ V}$, $T_C = -55^\circ\text{C}$ to $+125^\circ\text{C}$ unless otherwise specified

Parameter	Symbol	Min.	Typ.*	Max.	Units	Test Conditions
Input Offset Voltage	V_{OS}	—	± 25	± 200	μV	
Input Offset Voltage Drift	—	—	—	± 5	$\mu\text{V}/^\circ\text{C}$	
Input Bias Current	I_{B+}, I_{B-}	—	± 15	± 80	nA	
Input Offset Current	I_{OS}	—	10	75	nA	
DC Open Loop Gain	A_{VOL}	100	126	—	dB	$R_L > 2\text{ k}\Omega$, $V_O = \pm 10\text{V}$
Common-Mode Input Voltage Range	V_{CM}	± 10.3	± 12.3	—	V	
Common-Mode Rejection Ratio	CMRR	100	—	—	dB	$V_{CM} = \pm 9\text{ VDC}$ $R_L = 10\text{ k}\Omega$
Gain Bandwidth Product ⁽⁵⁾	GBW	—	1	—	MHz	$R_L = 10\text{ k}\Omega$
Phase Margin ⁽⁵⁾	Φ_M	—	45	—	deg.	(small signal)
Slew Rate	SR	2	—	—	$\text{V}/\mu\text{s}$	$R_L = 100\ \Omega$ $R_{CL} = 0.4\ \Omega$
Output Voltage Swing	V_O	± 12 ± 10	—	—	V	$R_L = 10\text{ k}\Omega$ $R_L = 5\ \Omega$
Quiescent Current	I_Q	—	4	7	mA	$R_L = \infty\ \Omega$
Thermal Resistance	θ_{JA}	—	30	—	$^\circ\text{C}/\text{W}$	

* All typical values are at $T_C = 25^\circ\text{C}$ **Notes:**

1. For V_S less than $\pm 22\text{ V}$, the input voltage is not to exceed $\pm V_S$.
2. Input current must not exceed 25 mA
3. It is recommended that external current limiting resistors ($\pm R_{CL} \geq 0.4\ \Omega$) be used to ensure that 2.0 A is not exceeded. See Figures 1, 2 and 4 for R_{CL} application information.
4. Case Temperature $T_C = 25^\circ\text{C}$ (see Figure 3).
5. Guaranteed by design.

Micropac Industries cannot assume any responsibility for any circuits shown or represent that they are free from patent infringement.
Micropac reserves the right to make changes at any time in order to improve design and to supply the best product possible.

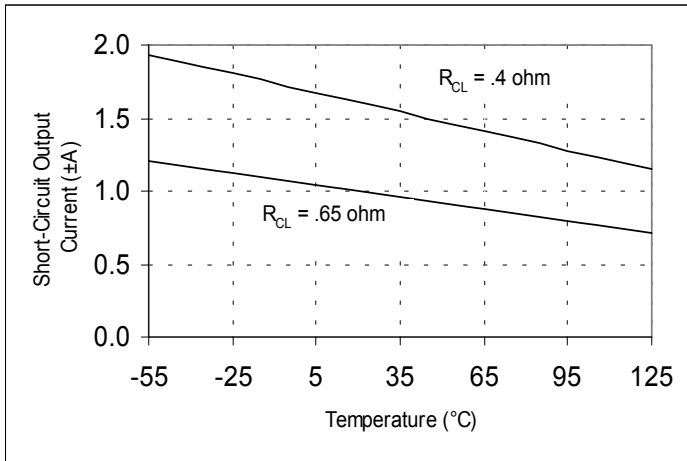


Figure 1. Typical Short-Circuit Output Current vs. Current Limiting Resistors ($\pm R_{CL}$)

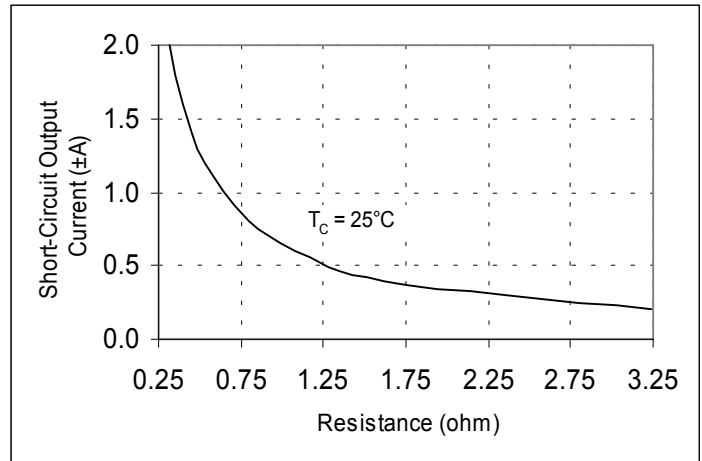


Figure 2. Short-Circuit Output Current vs. Case Temperature (typical data).

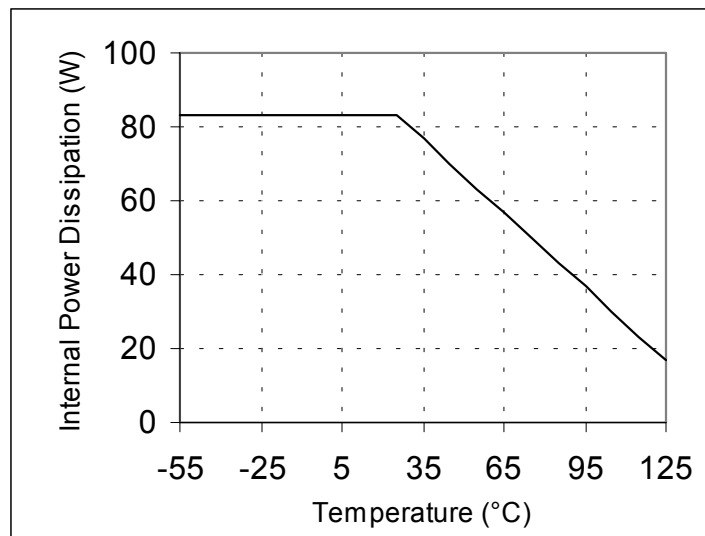


Figure 3. Maximum Average Power Dissipation vs. Case Temperature

Micropac Industries cannot assume any responsibility for any circuits shown or represent that they are free from patent infringement. Micropac reserves the right to make changes at any time in order to improve design and to supply the best product possible.

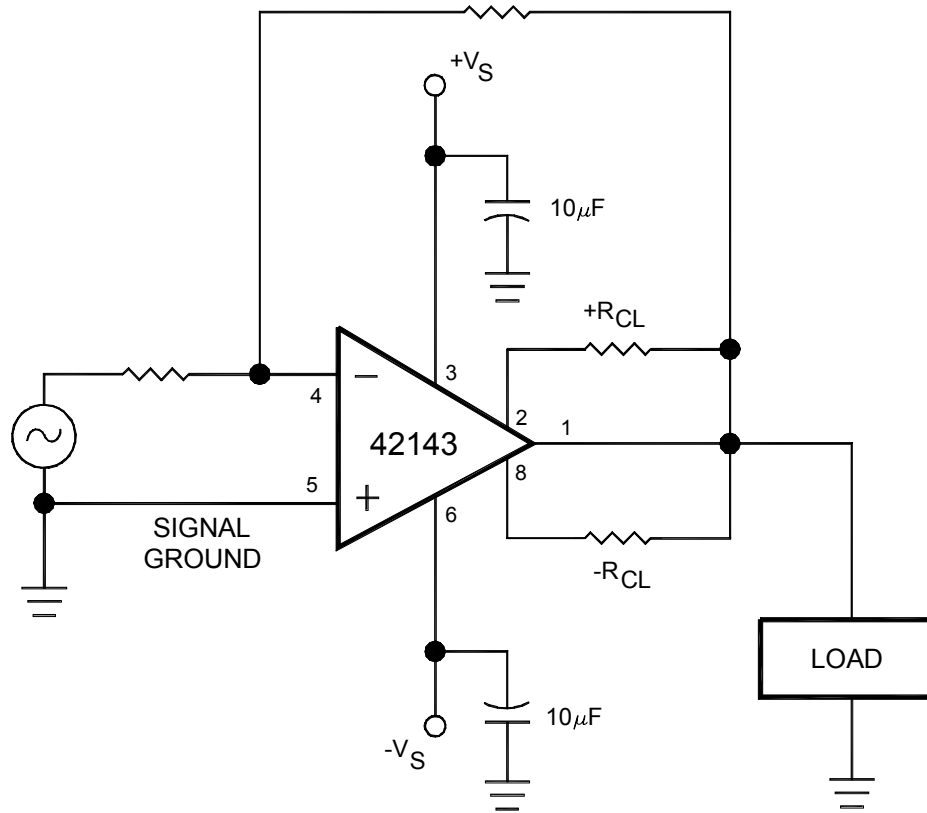


Figure 4. Application Information

Controlling the short circuit current to the minimum necessary for a given application maximizes device protection and reliability.

Approximate values for the current limiting resistors can be determined from the equation:

$$R_{CL} = ((0.65/I_{SC}) - 0.01) \Omega$$

where I_{SC} is the short circuit current limit in amperes at $T_C = 25^\circ\text{C}$.

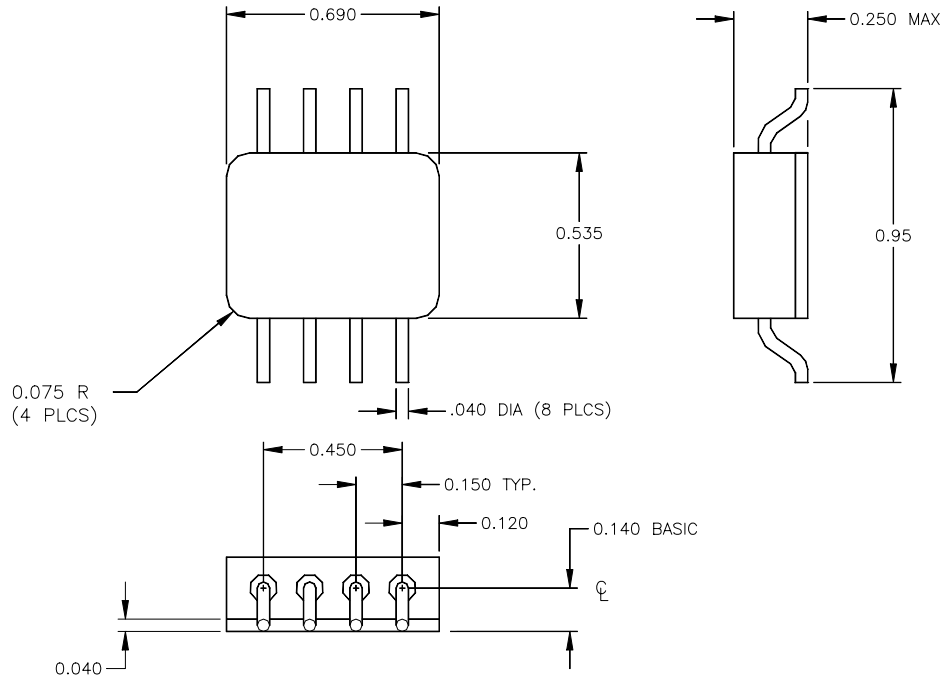
Current limits for positive and negative load currents can be set independently.

Current limiting resistors carry the full output current, therefore the short circuit current limit should be used in determining resistor wattage. Lead lengths of the limiting resistors should be minimized and highly inductive resistor types should be avoided.

Large bypass capacitors are recommended across the power supply terminals if the application requires large output current transients. Care should be taken to keep the power supply ground currents from flowing through the signal ground path.

Micropac Industries cannot assume any responsibility for any circuits shown or represent that they are free from patent infringement. Micropac reserves the right to make changes at any time in order to improve design and to supply the best product possible.

CASE OUTLINE



NOTE: Dimensions in inches.

ELECTRICAL CONNECTIONS

Pin 1	+V _s
Pin 2	-IN
Pin 3	+IN
Pin 4	-V _s
Pin 5	CL-
Pin 6	OUT
Pin 7	NC
Pin 8	CL+

Micropac Industries cannot assume any responsibility for any circuits shown or represent that they are free from patent infringement. **Micropac** reserves the right to make changes at any time in order to improve design and to supply the best product possible.