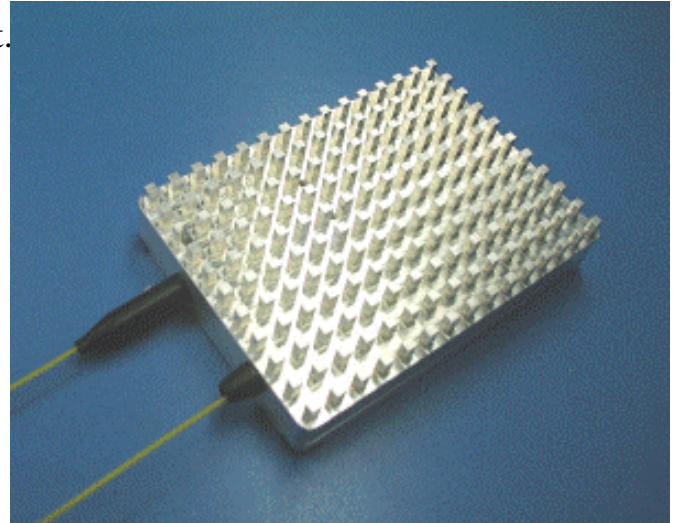


OD-J8848/J8849/J8850-****

10-Gbps Optical Transceiver with 16-channels MUX/DEMUX for Short Reach

FEATURES

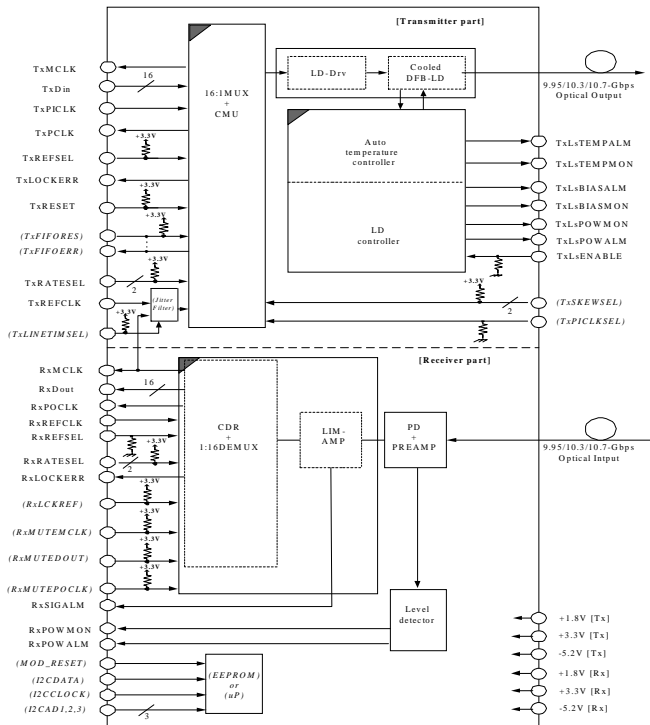
- 300-pin MSA(*Multi Source Agreement*) compliant.
- Designed for SONET / SDH / ATM Systems.
- Telcordia GR-253-CORE OC-192 SR-1
ITU-T G.691 I-64.1, VSR2000-2R1 compliant.
- Cooled DFB transmitter and pin-PD receiver.
- 16:1-MUX / 1:16-DEMUX Integrated.
- 622.08/644.53/669.32-Mbps LVDS
Input/Output interface.
- Compact Size : 75 x 55 x 16 (mm).
- Power Supply Voltage : +1.8V, +3.3V, -5.2V.
- Power Consumption : 4.5W (Typ.) , 6.5W(Max)
- Operating Case Temperature Range : -5 to 70°C.



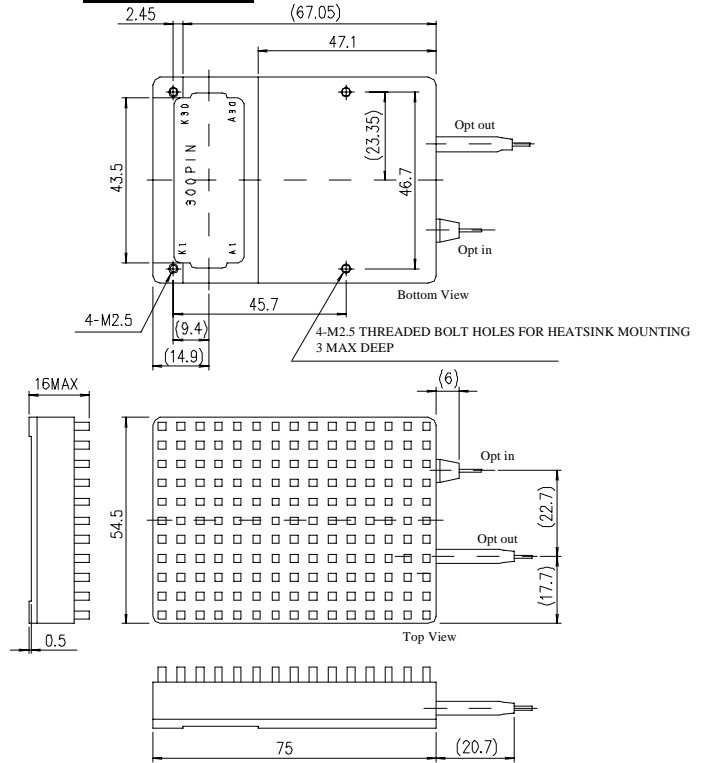
PERFORMANCE

Parameter	Performance
Transmission Data Rate	9.95328/10.3125/10.709-Gbps
Pigtail Fiber	Pigtail Fiber : SMF, Pigtail Length : 1 m each Optical Connector : SC (Grp. 0A01)
Transmitter Output Optical Interface	Launched Power : -6 to -1 dBm Wavelength : 1290-1330 nm Extinction Ratio : 6.0 dB min.
Receiver Input Optical Interface	Minimum Sensitivity : -11 dBm max Overload : -1 dBm min. Optical Return Loss : -14 dB
Data I/O Signals	622.08/644.53/669.32-Mbps x 16-channels
Operating Case Temp.	-5 to 70 °C
Power Supply Voltage	+1.8V, +3.3V, -5.2V
Power Consumption	4.5W (Typ.) , 6.5W(Max)
Dimension	75 x 55 x 16 (mm)
Alarm Function	Tx : Optical output alarm, LD bias alarm Rx : Loss of signal alarm
Monitor Function	Tx : Optical output power monitor, LD bias monitor Rx : Optical input power monitor

Block Diagram

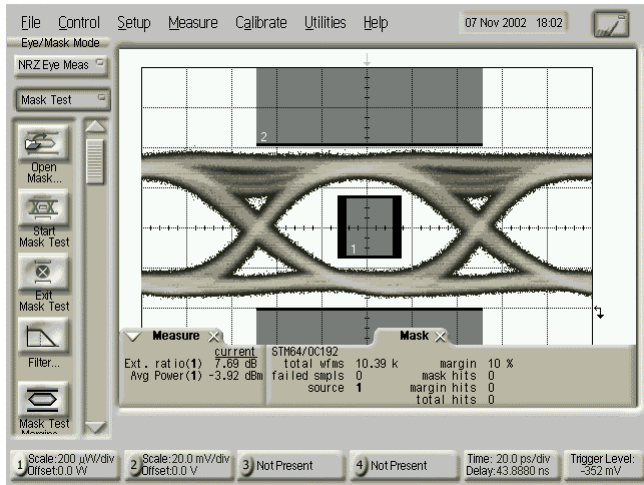


Dimension

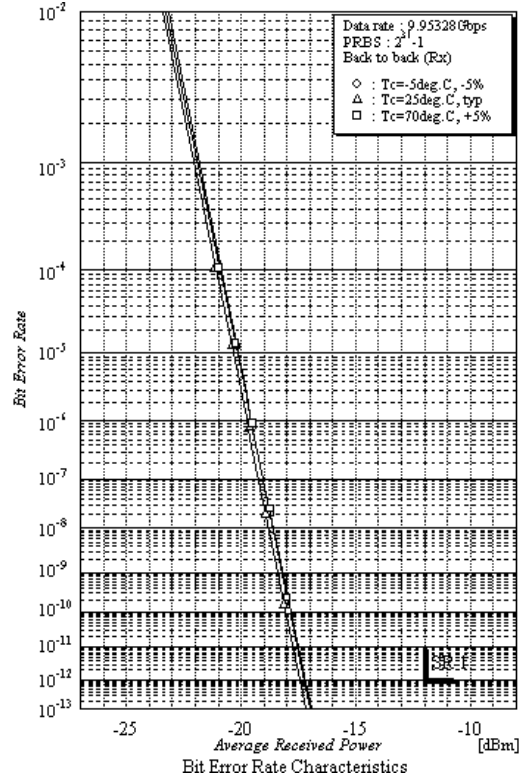


Performance

Output waveform (Tc=25deg.C , Filtered)



Sensitivity (SMF 12km transmission)



Order form

OD-J88** -0xy1 ** : 48 / 49 / 50
 x : Connector type
 A:SC,B:FC,C:MU,D:LC
 y : Package type
 0:16mm height with Heatsink
 1:13.5mm height with Heatsink
 2:12mm height without Heatsink

DATA SUBJECT TO CHANGE WITHOUT NOTICE

Sales Department, Fiber Optic Devices Division
 Optical Network Operations Unit, NEC Networks
 NEC Corporation
 1753 Shimonumabe, Nakahara-ku, Kawasaki, Kanagawa 211-8666, Japan
 Tel: +81-44-435-5412 Fax: +81-44-435-5109

NEC Electronics (Europe) GmbH
 Sales and marketing of semiconductors across Europe
 Oberratherstr. 4, 40472 Dusseldorf, Germany
 Tel: +49-211-6503-979 FAX: +49-211-6503-358

USA & CANADA
 NEC FiberOptech, Inc.
 10050 North Wolfe Road, Suite SW1-290 Cupertino, CA 95014, USA
 Tel: +1-408-863-2000 Fax: +1-408-863-2019



<http://networks.nec.co.jp/on/dd/en/>

EWV-19-0060-01E March 2003

Copyright © 2003 NEC Corporation