

MF431 ST



ST Assembly

Ordering Information	
PART #	RECEPTACLE
MF431 ST	ST
-40°C to +85°C	

Applications

- FDDI
- ATM-SDH/SONET 155Mbps
- Intra-Office Telecommunications
- General Purpose

Features

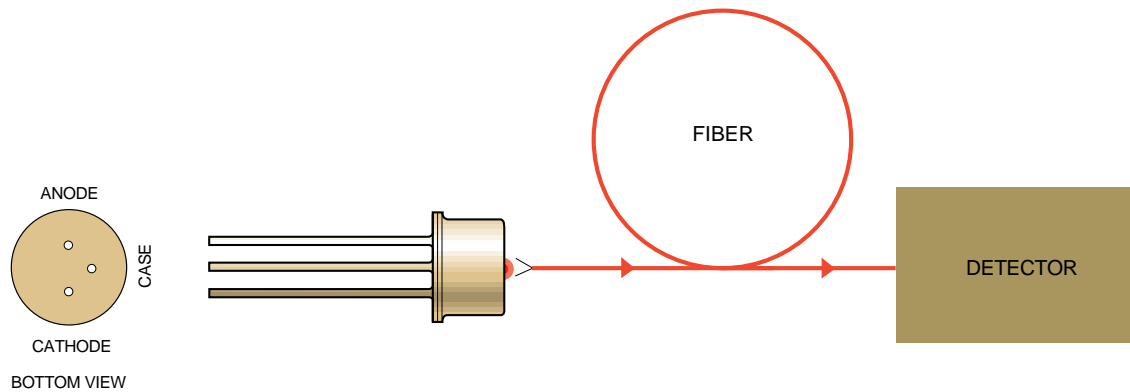
- 1320nm Surface-Emitting LED
- 125MHz Bandwidth
- Designed for 62.5/125µm Fiber
- Aligned in ST® Receptacle
- MTTF >1,000,000 hours

Description

This LED is designed for Datacom, Telecom and General Purpose Applications. It has a long wavelength LED for links up to 10 km at 125Mbps. It meets standards for FDDI (ANSI X3T9.5) and ATM155Mbps.

The device is optimized for 62.5/125µm fiber and actively aligned in an ST® receptacle. The MF432 PIN Photodiode is recommended as Receiver for this LED.

MF431 Functional Diagram



MF431 LED

Absolute Maximum Ratings*

Parameter	Symbol	Min.	Max.	Units
Storage Temperature	Tstg	-40	+85	°C
Operating Temperature (Fig 4)	Top	-40	+85	°C
Electrical Power Dissipation (Fig 4)	Ptot		160	mW
Continuous Forward Current (f≤10kHz)	IF		80	mA
Peak Forward Current (duty cycle ≤50%, f≥1MHz)	IFRM		130	mA
Reverse Voltage	VR		0.5	V
Soldering Temperature (Note 1)	Tsld		260	°C

*Exceeding these values may cause permanent damage. Functional operation under these conditions is not implied.

Note 1: 2mm from the case for 10s.

Optical & Electrical Characteristics (Case Temperature -25 to +70°C)

Parameter	Symbol	Min.	Typ.	Max.	Units	Test Conditions
Fiber-Coupled-Power (Fig 1, 2, 3)	P _{fiber}	-19			dBm	I _{Peak} =60mA (Note 1, 2)
Rise & Fall Time (10-90%, no bias)	t _r t _f		2.0	2.5	ns	I _F =60mA (Note 2, 3)
Bandwidth (3dB _{el})	f _c		125		MHz	I _F =60mA (Note 2)
Peak Wavelength	λ _p	1285	1320	1355	nm	I _F =60mA (Note 3)
Spectral Width (FWHM)	Δλ		135	170	nm	I _F =60mA (Note 3)
Forward Voltage (Fig 5)	V _F		1.3	1.65	V	I _F =60mA
Reverse Current	I _R			100	μA	V _R =1V
Capacitance	C		200		pF	V _R =0V, f=1MHz

Note 1: Average power at 10MHz/50% duty cycle. Measured at the exit of 100m of fiber.

Note 2: 62.5/125μm graded index fiber (NA = 0.275).

Note 3: Meets the FDDI ANSI X3T9.5 specification for FDDI.

Thermal Characteristics

Parameter	Symbol	Min.	Typ.	Max.	Units
Thermal Resistance - Infinite Heat Sink	R _{thjc}			200	°C/W
Thermal Resistance - On PCB	R _{thjb}			300	°C/W
Temperature Coefficient - Optical Power	dP/dT _j		-0.75		%/°C
Temperature Coefficient - Wavelength	Δλ/dT _j		0.45		nm/°C

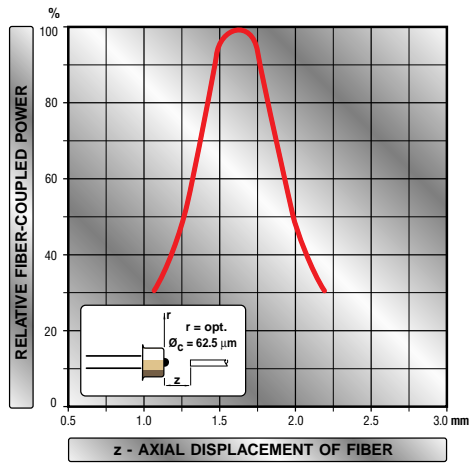


Figure 1

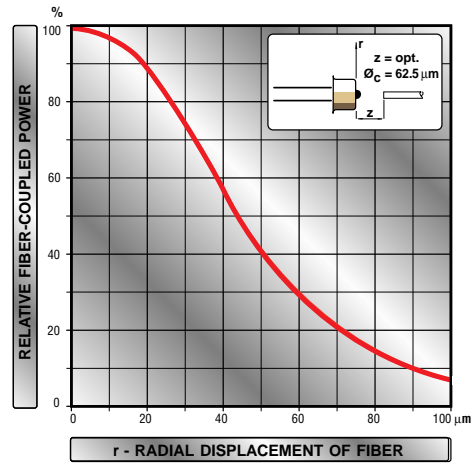


Figure 2

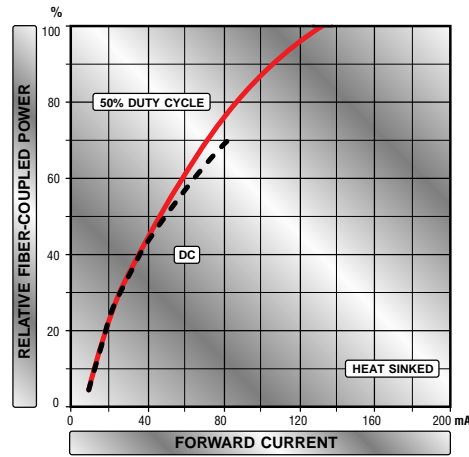


Figure 3

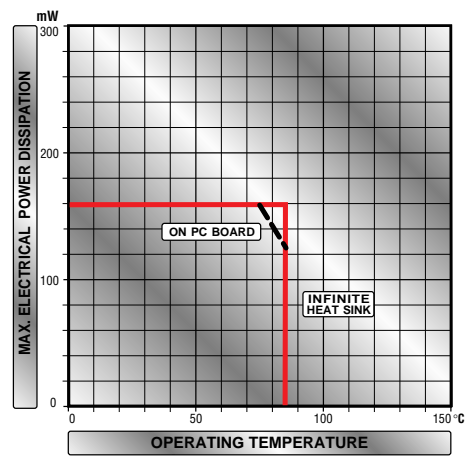


Figure 4

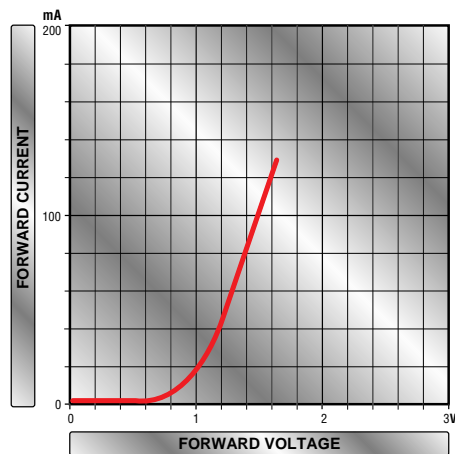
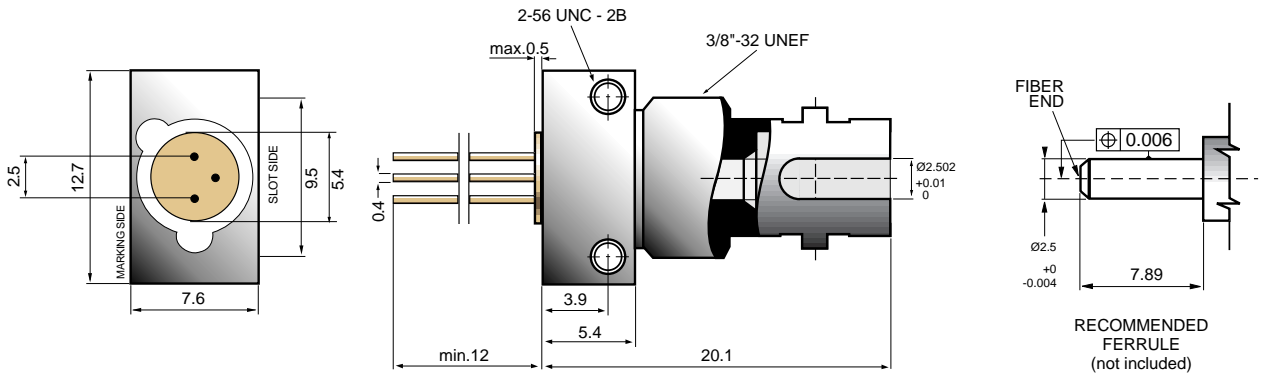


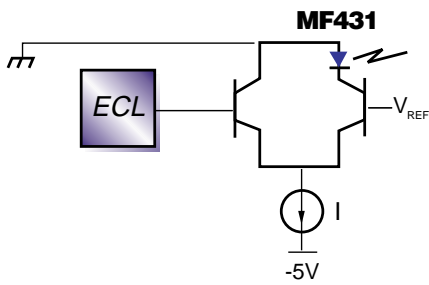
Figure 5

MF431 ST Mechanical Data

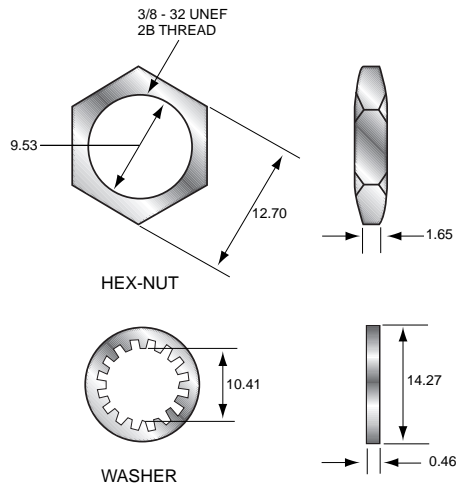


Note: The LED chip is isolated from the case. All dimensions in mm.

Typical Drive Circuit



ST Packaging Hardware





<http://www.mitelsemi.com>

World Headquarters - Canada

Tel: +1 (613) 592 2122
Fax: +1 (613) 592 6909

North America

Tel: +1 (770) 486 0194
Fax: +1 (770) 631 8213

Asia/Pacific

Tel: +65 333 6193
Fax: +65 333 6192

**Europe, Middle East,
and Africa (EMEA)**

Tel: +44 (0) 1793 518528
Fax: +44 (0) 1793 518581

Information relating to products and services furnished herein by Mitel Corporation or its subsidiaries (collectively "Mitel") is believed to be reliable. However, Mitel assumes no liability for errors that may appear in this publication, or for liability otherwise arising from the application or use of any such information, product or service or for any infringement of patents or other intellectual property rights owned by third parties which may result from such application or use. Neither the supply of such information or purchase of product or service conveys any license, either express or implied, under patents or other intellectual property rights owned by Mitel or licensed from third parties by Mitel, whatsoever. Purchasers of products are also hereby notified that the use of product in certain ways or in combination with Mitel, or non-Mitel furnished goods or services may infringe patents or other intellectual property rights owned by Mitel.

This publication is issued to provide information only and (unless agreed by Mitel in writing) may not be used, applied or reproduced for any purpose nor form part of any order or contract nor to be regarded as a representation relating to the products or services concerned. The products, their specifications, services and other information appearing in this publication are subject to change by Mitel without notice. No warranty or guarantee express or implied is made regarding the capability, performance or suitability of any product or service. Information concerning possible methods of use is provided as a guide only and does not constitute any guarantee that such methods of use will be satisfactory in a specific piece of equipment. It is the user's responsibility to fully determine the performance and suitability of any equipment using such information and to ensure that any publication or data used is up to date and has not been superseded. Manufacturing does not necessarily include testing of all functions or parameters. These products are not suitable for use in any medical products whose failure to perform may result in significant injury or death to the user. All products and materials are sold and services provided subject to Mitel's conditions of sale which are available on request.

M Mitel (design) and ST-BUS are registered trademarks of MITEL Corporation
Mitel Semiconductor is an ISO 9001 Registered Company
Copyright 1999 MITEL Corporation
All Rights Reserved
Printed in CANADA

TECHNICAL DOCUMENTATION - NOT FOR RESALE