

**Features**

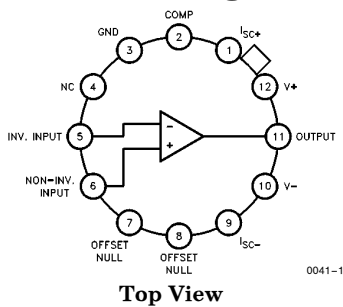
- High output current—200 mA
- Excellent open-loop gain—106 dB
- Low offset voltage—1 mV
- Wide full power bandwidth—20 kHz
- High slew rate—3 V/ $\mu$ s
- MIL-STD-883 devices 100% manufactured in U.S.A.

**Ordering Information**

Part No.	Temp. Range	Pkg. Outline #
ELH0041G/883B	-55°C to +125°C	TO-8 MDP002

8508701ZX is the SMD version of this device.

**Connection Diagram**



**General Description**

The ELH0041 are general purpose operational amplifiers capable of delivering large output currents not usually associated with conventional IC op amps; the ELH0041 delivers currents of 200 mA at voltage levels closely approaching the available power supplies. In addition, both the inputs and outputs are protected against overload. These devices are compensated with a single external capacitor and are free of any unusual oscillation or latch-up problems.

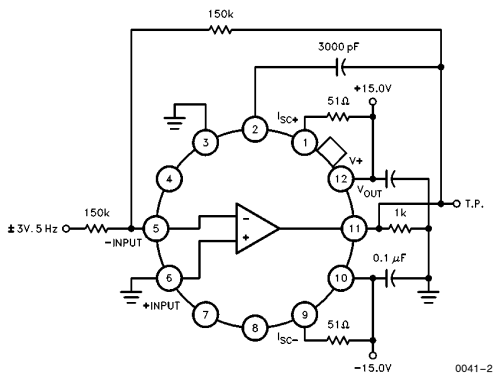
For applications requiring output currents in excess of 1A, see the ELH0021 data sheet.

The excellent input characteristics and high output capability of the ELH0041 make it an ideal choice for power applications such as DC servos, capstan drivers, deflection yoke drivers, and programmable power supplies.

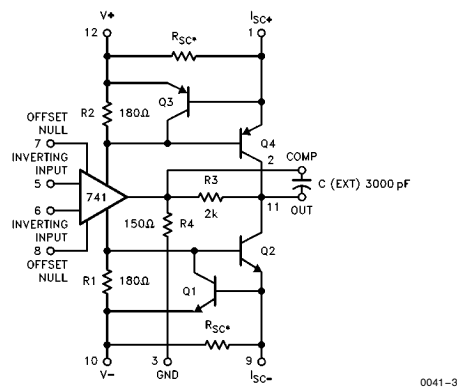
The ELH0041 is particularly suited for applications such as torque drivers for inertial guidance systems, diddle yoke drivers for alphanumeric CRT displays, cable drivers, and programmable power supplies for automatic test equipment.

Elantec facilities comply with MIL-I-45208A and other applicable quality specifications. Elantec's Military devices are 100% fabricated and assembled in our rigidly controlled, ultra-clean facilities in Milpitas, California. For additional information on Elantec's Quality and Reliability Assurance policy and procedures request brochure QRA-1.

**Burn-In Circuit**



**Equivalent Schematic**



Note: All information contained in this data sheet has been carefully checked and is believed to be accurate as of the date of publication; however, this data sheet cannot be a "controlled document". Current revisions, if any, to these specifications are maintained at the factory and are available upon your request. We recommend checking the revision level before finalization of your design documentation. Patent pending.

# ELH0041G/883/8508701ZX

## 0.1 Amp Power Operational Amplifier

### Absolute Maximum Ratings ( $T_A = 25^\circ\text{C}$ )

$V_S$	Supply Voltage	$\pm 18\text{V}$	$T_A$	Operating Temperature Range	
$V_{IN}$	Input Voltage (Note 1)	$\pm 15\text{V}$		ELH0041	$-55^\circ\text{C}$ to $+125^\circ\text{C}$
$P_D$	Power Dissipation (See curves)		$T_{ST}$	Storage Temperature	$-65^\circ\text{C}$ to $+150^\circ\text{C}$
	Differential Input Voltage	$\pm 30\text{V}$		Lead Temperature	
	Peak Output Current (Note 2)	0.5A		(Soldering, 10 seconds)	300°C
	Output Short Circuit				
	Duration (Note 3)	Continuous			

#### Important Note:

All parameters having Min/Max specifications are guaranteed. The Test Level column indicates the specific device testing actually performed during production and Quality inspection. Elantec performs most electrical tests using modern high-speed automatic test equipment, specifically the LTX77 Series system. Unless otherwise noted, all tests are pulsed tests, therefore  $T_J = T_C = T_A$ .

Test Level	Test Procedure
I	100% production tested and QA sample tested per QA test plan QCX0002.
II	100% production tested at $T_A = 25^\circ\text{C}$ and QA sample tested at $T_A = 25^\circ\text{C}$ , $T_{MAX}$ and $T_{MIN}$ per QA test plan QCX0002.
III	QA sample tested per QA test plan QCX0002.
IV	Parameter is guaranteed (but not tested) by Design and Characterization Data.
V	Parameter is typical value at $T_A = 25^\circ\text{C}$ for information purposes only.

### DC Electrical Characteristics $V_S = \pm 15\text{V}$ , $T_{MIN} \leq T_A \leq T_{MAX}$ , $C_C = 3000\text{ pF}$

Parameter	Description	Test Conditions	ELH0041				Units
			Min	Typ	Max	Test Level	
$V_{OS}$	Input Offset Voltage	$R_S \leq 100\Omega$ , $T_A = 25^\circ\text{C}$ (Note 4)		1	3	I	mV
		$R_S \leq 100\Omega$ (Note 4)			5	I	mV
$\Delta V_{OS}/\Delta T$	Voltage Drift with Temperature	$R_S \leq 100\Omega$		3		V	$\mu\text{V}/^\circ\text{C}$
	Offset Voltage Drift with Time	$T_A = 25^\circ\text{C}$		5		V	$\mu\text{V}/\sqrt{\text{wk}}$
$\Delta V_{OS}/\Delta P$	Offset Voltage Change with Output Power			15		V	$\mu\text{V}/\text{W}$
	Offset Voltage Adjustment Range			20		V	mV
$I_{OS}$	Input Offset Current	$T_A = 25^\circ\text{C}$ (Note 4)		30	100	I	nA
		(Note 4)			300	I	nA
	Offset Current Drift with Temperature			0.1	1	IV	$\text{nA}/^\circ\text{C}$
	Offset Current Drift with Time	$T_A = 25^\circ\text{C}$		2		V	$\text{nA}/\sqrt{\text{wk}}$
$I_B$	Input Bias Current	$T_A = 25^\circ\text{C}$ (Note 4)		100	300	I	nA
		(Note 4)			1	I	$\mu\text{A}$
$R_{IN}$	Input Resistance	$T_A = 25^\circ\text{C}$	0.3	1		I	M $\Omega$

# ELH0041G/883/8508701ZX

## 0.1 Amp Power Operational Amplifier

### DC Electrical Characteristics $V_S = \pm 15V, T_{MIN} \leq T_A \leq T_{MAX}, C_C = 3000 \text{ pF}$ — Contd.

Parameter	Description	Test Conditions	ELH0041				Units
			Min	Typ	Max	Test Level	
CMRR	Common-Mode Rejection Ratio	$R_S \leq 100\Omega, V_{CM} = \pm 10V$	70	90		I	dB
$V_{INCM}$	Input Voltage Range		$\pm 12$			IV	V
PSRR	Power Supply Rejection Ratio	$R_S \leq 100\Omega, V_S = \pm 5V \text{ to } \pm 15V$	80	96		I	dB
$A_V$	Voltage Gain (Note 5)	$V_O = \pm 10V, R_L = 1 \text{ k}\Omega, T_A = 25^\circ\text{C}$	100	200		I	V/mV
		$V_O = \pm 10V, R_L = 100\Omega$	25			I	V/mV
$V_O$	Output Voltage Swing	$R_L = 100\Omega$	$\pm 13$	14		I	V
$I_{SC}$	Output Short Circuit Current	$T_A = 25^\circ\text{C}, R_{SC} = 3.3\Omega$		200	300	I	mA
$I_S$	Supply Current	$V_{OUT} = 0V$		2.5	3.5	I	mA
$P_C$	Power Consumption	$V_{OUT} = 0V$		75	105	I	mW

Note 1: Rating applies for supply voltages above  $\pm 15V$ . For supplies less than  $\pm 15V$ , rating is equal to supply voltage.

Note 2: Rating applies for LH0041G with  $R_{SC} = 0\Omega$ .

Note 3: Rating applies as long as package power rating is not exceeded.

Note 4: Specifications apply for  $\pm 5V \leq V_S \leq 18V$ .

Note 5: The ELH0041, like all Class B amplifiers, has a "dead band" when  $V_{OUT}$  is near zero volts. Typical values for the "dead band" are in the  $50 \mu V$  to  $200 \mu V$  range. Open-loop gain is measured at  $V_{OUT}$  from  $\pm 0.5 V_{DC}$  to  $\pm 10 V_{DC}$  which is out of the range of the "dead band".

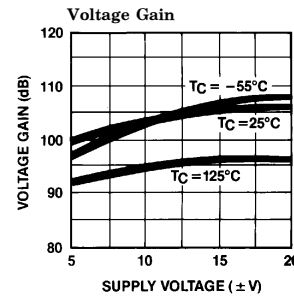
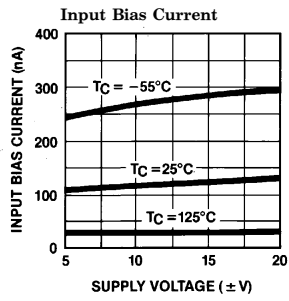
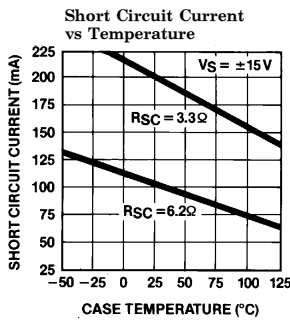
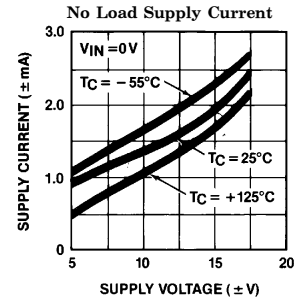
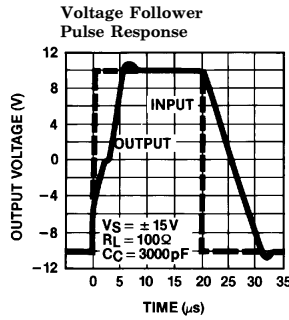
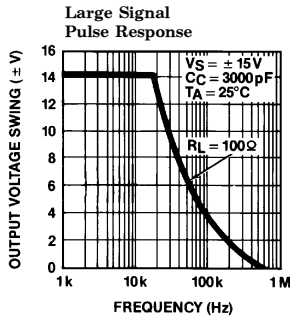
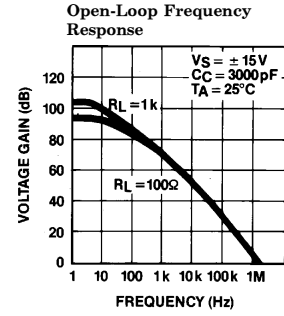
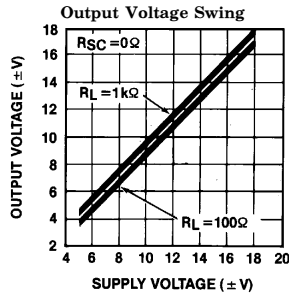
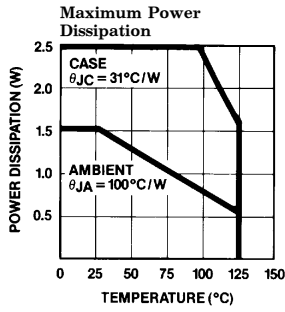
### AC Electrical Characteristics $T_A = 25^\circ\text{C}, V_S = \pm 15V, C_C = 3000 \text{ pF}$

Parameter	Description	Test Conditions	ELH0041				Units
			Min	Typ	Max	Test Level	
SR	Slew Rate	$A_V = 1, R_L = 100\Omega$	1.5	3		I	V/ $\mu s$
BW	Bandwidth	$R_L = 100\Omega$		20		V	kHz
$t_r, t_f$	Small Signal Rise or Fall Time			0.3	1	I	$\mu s$
	Small Signal Overshoot			5	20	I	%
$t_s$	Settling Time (0.1%)	$\Delta V_{IN} = 10V, A_V = 1$		4		V	$\mu s$
	Overload Recovery Time			3		V	$\mu s$
HD	Harmonic Distortion	$f = 1 \text{ kHz}, P_O = 0.5W$		0.2		V	%
$E_N$	Input Noise Voltage	$R_S = 50\Omega, BW = 10 \text{ Hz to } 10 \text{ kHz}$		5		V	$\mu V_{rms}$
$I_N$	Input Noise Current	$BW = 10 \text{ Hz to } 10 \text{ kHz}$		0.05		V	$nA_{rms}$
$C_{IN}$	Input Capacitance			3		V	pF

# ELH0041G/883/8508701ZX

## 0.1 Amp Power Operational Amplifier

### Typical Performance Curves

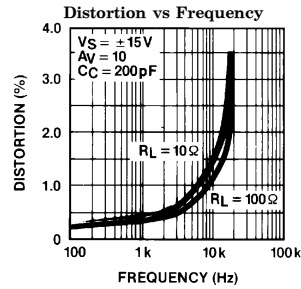
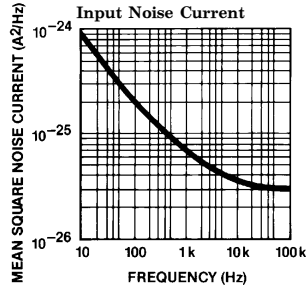
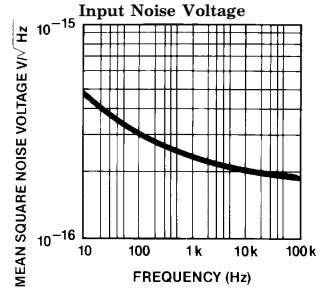
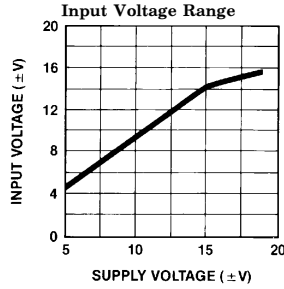
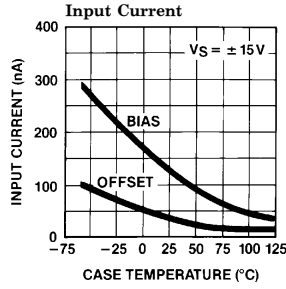


0041-4

# ELH0041G/883/8508701ZX

## 0.1 Amp Power Operational Amplifier

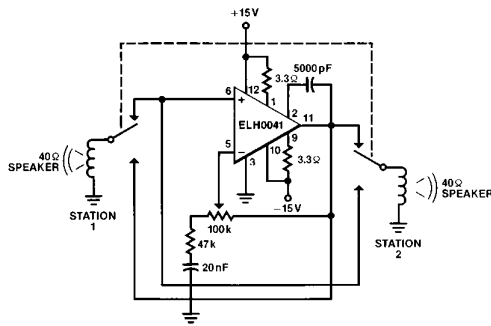
### Typical Performance Curves — Contd.



0041-5

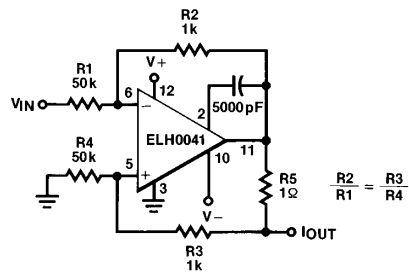
### Typical Applications

**Two Way Intercom**



0041-6

**Programmable High Current Source/Sink**



0041-7

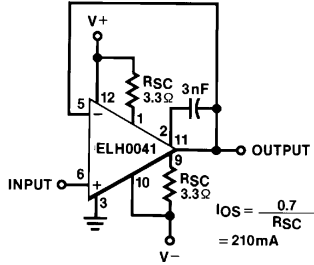
$$I_{OUT} = \frac{V_{IN}}{R5} \left( \frac{R2}{R1} \right) + \frac{V_{OUT}}{R1 + R2} = 20 \text{ mA}/V_{IN}$$

# ELH0041G/883/8508701ZX

## 0.1 Amp Power Operational Amplifier

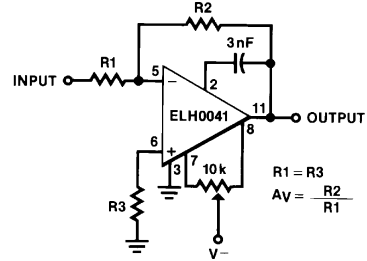
### Typical Applications — Contd.

Unity Gain with Short Circuit Limiting



0041-8

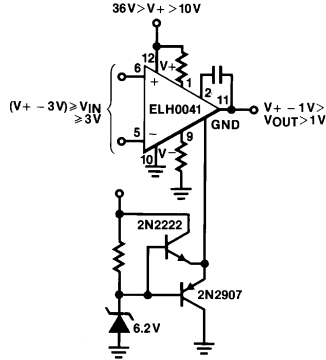
Offset Voltage Null Circuit



0041-9

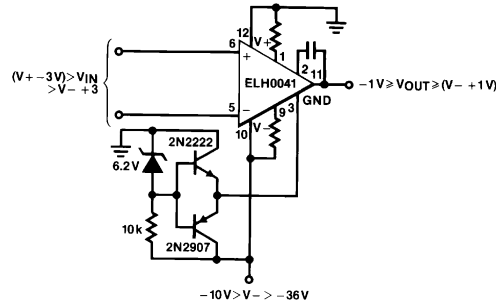
### Operation from Single Supplies

Positive



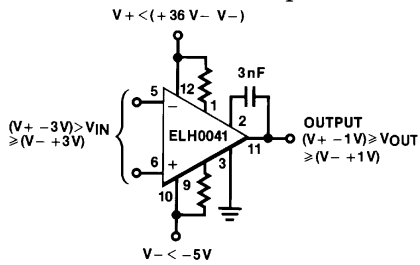
0041-10

Negative

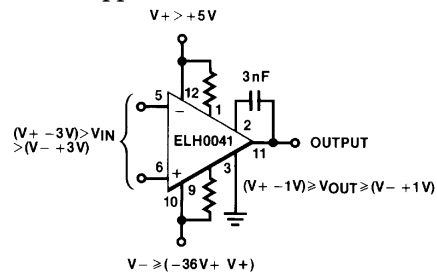


0041-11

### Operation from Non-Symmetrical Supplies



0041-12



0041-13

BLANK

# ***ELH0041G/883/8508701ZX***

## ***0.1 Amp Power Operational Amplifier***

### **General Disclaimer**

Specifications contained in this data sheet are in effect as of the publication date shown. Elantec, Inc. reserves the right to make changes in the circuitry or specifications contained herein at any time without notice. Elantec, Inc. assumes no responsibility for the use of any circuits described herein and makes no representations that they are free from patent infringement.

***élantec***  
HIGH PERFORMANCE ANALOG INTEGRATED CIRCUITS

### **Elantec, Inc.**

1996 Tarob Court

Milpitas, CA 95035

Telephone: (408) 945-1323

(800) 333-6314

Fax: (408) 945-9305

European Office: 44-71-482-4596

### **WARNING — Life Support Policy**

Elantec, Inc. products are not authorized for and should not be used within Life Support Systems without the specific written consent of Elantec, Inc. Life Support systems are equipment intended to support or sustain life and whose failure to perform when properly used in accordance with instructions provided can be reasonably expected to result in significant personal injury or death. Users contemplating application of Elantec, Inc. products in Life Support Systems are requested to contact Elantec, Inc. factory headquarters to establish suitable terms & conditions for these applications. Elantec, Inc.'s warranty is limited to replacement of defective components and does not cover injury to persons or property or other consequential damages.