

SPECIFICATIONS

Mechanical

Insertion Force: 45N max.
Withdrawal Force: 10N min.
Durability: 50 Cycles.

Electrical

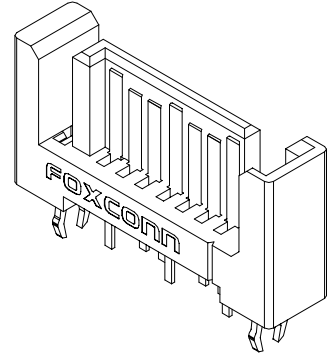
Voltage Rating: 250V.
Current Rating: 1.5A per pin.
Contact Resistance: 30 mΩ max., Δ15 mΩ max. after stress.
Dielectric Withstanding Voltage: 500V AC.
Insulation Resistance: 1000MΩ min.

Physical

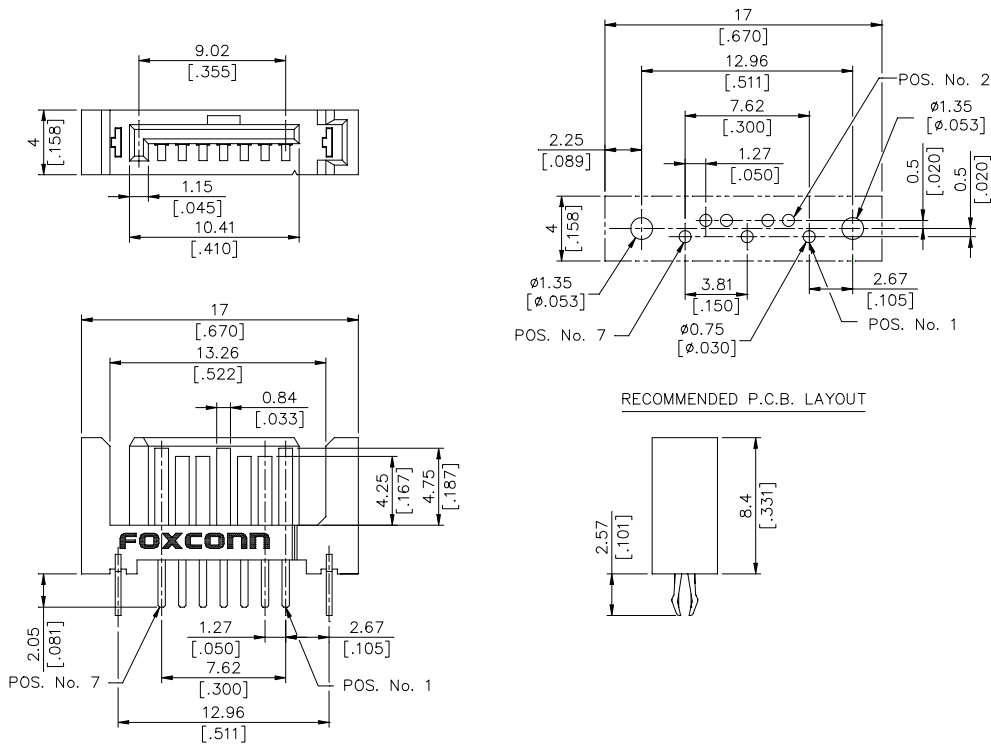
Housing: Thermoplastic, UL 94V-0 rating.
Contact: Copper alloy
Plating: See "ORDERING INFORMATION".
Operating Temperature: -55 to +105

S-ATA Connector

LD Series
T/H, Vertical Type
Plug
1.27mm [.050"] Pitch
7 Pos.



DRAWING



ORDERING INFORMATION

PRODUCT NO. : LD 1 8 07 * - S 14 * * *

S-ATA Series

Mating End Type
1=Host Plug

Mounting End Type
8=T/H,Vertical

No. of Pos.
07=7 Pos.

Tail Length
NONE=2.05mm
A=3.30mm
 Package Type
1/NONE=Tray
2=Tube
 Housing Material
L/NONE=LCP,Color Black
5= PA66,Color Red
J = PBT,Color Orange
 Modification Code
S-ATA
 Contact Area Plating
F=Gold Flash With RoHS Compliance
H=30u" Gold With RoHS Compliance
V=15u" Gold With RoHS Compliance