

Commercial miniature 10mm conductive plastic trimmer potentiometers

- Miniature size
- Adjustment knob slotted for front or rear screwdriver adjustment
- P.C. mounting with knob parallel or perpendicular to printed circuit board
- Low cost
- Low height profile
- Wide resistance range
- Reliable screened CTS composition element



Electrical, Mechanical and Environmental Specifications

Resistance Range

Standard — 500 ohms through 1 megohm
Special — Available as required. Please consult CTS

Resistance Tolerance

Standard — $\pm 20\%$
Special — Available

Power Rating Watts

0.15 watts @ 40°C derated to no load
@100°C

Voltage Rating

Operating maximum — 350 VDC.
Load not to exceed wattage rating

Resistance Tapers

Linear

Adjustment Knob

Color coded nylon knob with hex hole for top adjustment plus slot for either top or bottom screwdriver adjustment.

Standard Color Chart

Value	Color	Value	Color	Value	Color
500Ω	Green	10KΩ	White	250KΩ	Violet
1KΩ	Yellow	25KΩ	Black	500KΩ	Brown
2.5KΩ	Red	50KΩ	Orange	1MΩ	Light Blue
5KΩ	Blue	100KΩ	Gray		

Angle of Rotation

Total rotation — $265^\circ \pm 5^\circ$
Effective rotation — 260° (approximately)

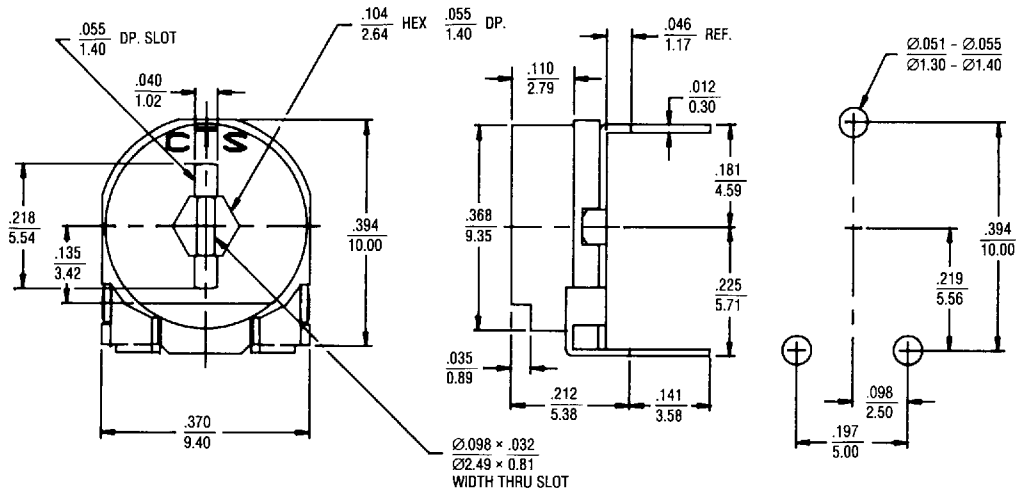
Rotational Torque

.3 to 3 inch ounces

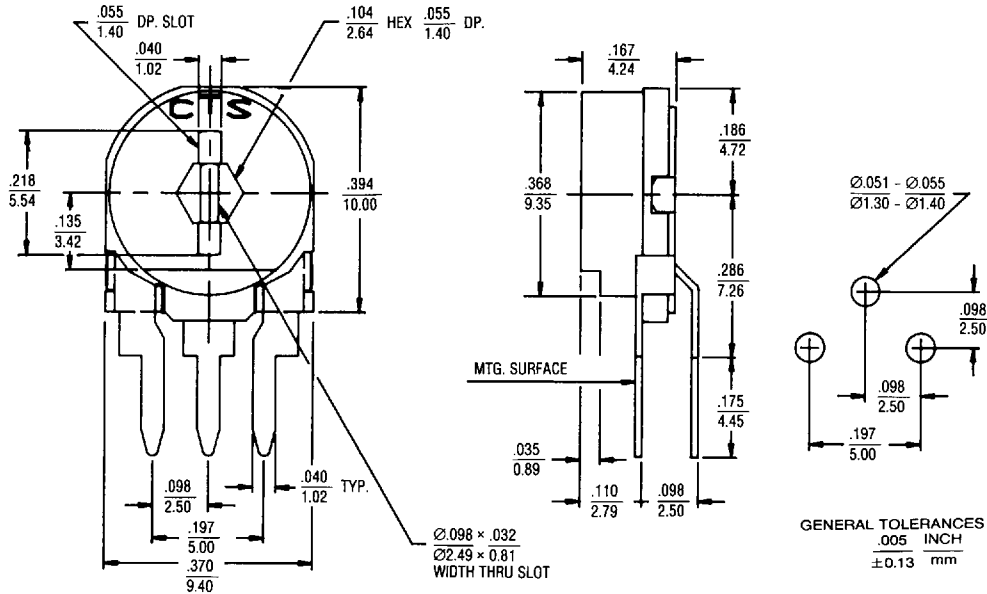
Stop Strength

16 inch ounces

CTS Type U262



CTS Type X262



Standard Stocked Series 262 Trimmers

CTS Series 262 trimmers are available off the shelf from Distributor Stock under the following part numbers.

Resistance Value ±20%	Knob Color	Type and Part Number	
		X262	U262
500Ω	Green	X262R501B	U262R501B
1KΩ	Yellow	X262R102B	U262R102B
2.5KΩ	Red	X262R252B	U262R252B
5KΩ	Blue	X262R502B	U262R502B
10KΩ	White	X262R103B	U262R103B
25KΩ	Black	X262R253B	U262R253B
50KΩ	Orange	X262R503B	U262R503B
100KΩ	Gray	X262R104B	U262R104B
250KΩ	Violet	X262R254B	U262R254B
500KΩ	Brown	X262R504B	U262R504B
1.0megΩ	Light Blue	X262R105B	U262R105B

Order From:

CTS CORPORATION, ELECTROCOMPONENTS/1142 West Beardsley Avenue/Elkhart, Indiana 46514
(219) 295-3575/FAX: (219) 295-3580

41751

5M-6-921