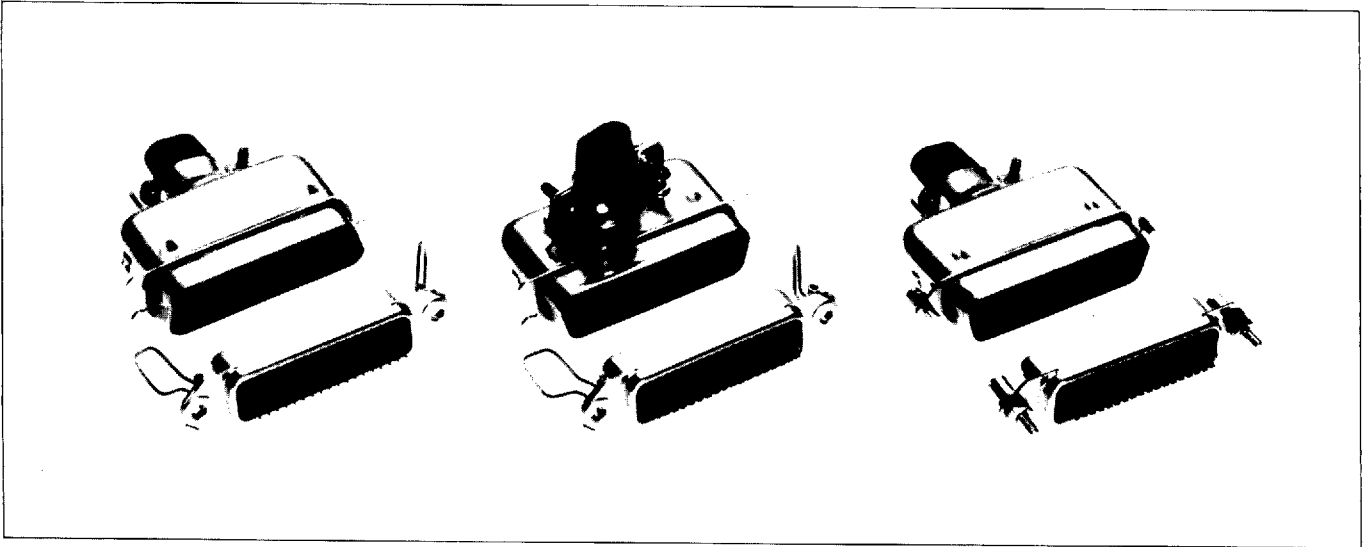


# 57 Series

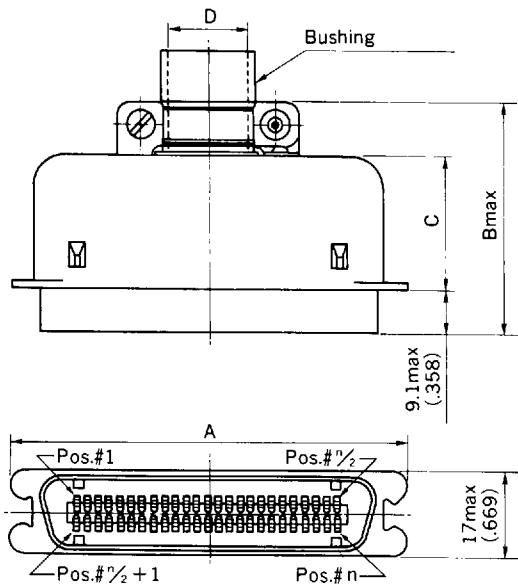


## Cable to Panel

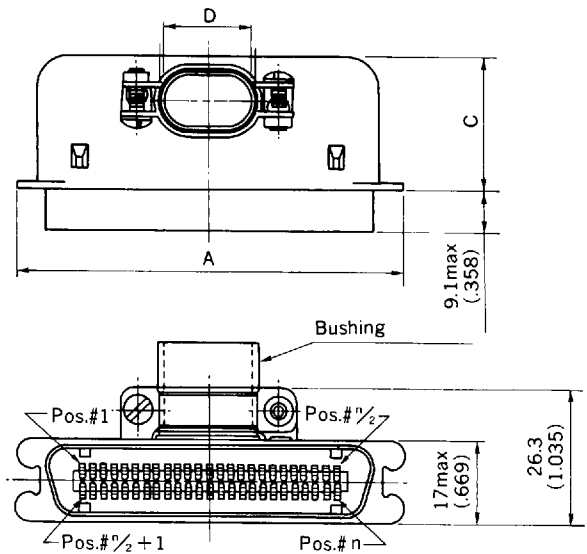
Unit:mm(inch)



### ● Plug



Top cable entry



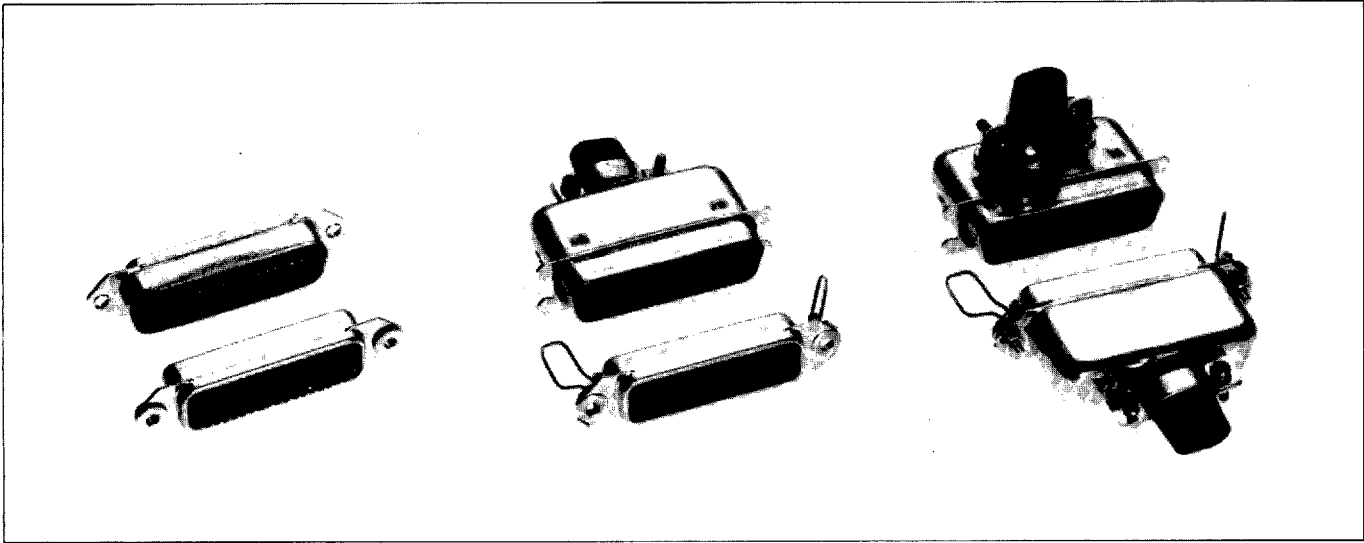
Side cable entry

NO. OF CONT'S	Top cable entry		Side cable entry		A	B	C	D
	Solder cup	High-barrier	Solder cup	High-barrier				
14	57-3014×	57-3014×R	57-5014×	57-5014×R	37.8 (1.488)	41.4 (1.630)	21.4 (.843)	6.5×9.8 (.256×.386)
24	57-3024×	57-3024×R	57-5024×	57-5024×R	48.6 (1.913)	41.0 (1.614)	21.0 (.827)	11.1×9.8 (.437×.386)
36	57-3036×	57-3036×R	57-5036×	57-5036×R	61.6 (2.425)	43.0 (1.693)	23.0 (.906)	13.9×9.8 (.547×.386)
50	57-3050×	57-3050×R	57-5050×	57-5050×R	76.7 (3.020)	45.4 (1.787)	25.4 (1.000)	17×9.8 (.669×.386)

# 57 Series



## Basic version of ribbon connectors Solder type



### FEATURES

- Stable connection by self-wiping and self-cleaning mechanism
- Available in various styles
- UL recognized (File No.E72124)
- Intermateable with 57 family connectors

### SPECIFICATIONS

Rated voltage .....500V AC/700V DC  
Rated current .....5A/contact  
Dielectric withstanding ...1200V AC (r.m.s.)  
                                  voltage 1 minute  
Insulation resistance .....1000M $\Omega$  min.  
  at 500V DC  
Wire accommodation .....Solid : 22 AWG max.  
  Stranded : 24 AWG max.

### MATERIAL/FINISH

Contact .....Copper alloy/Gold plate  
Shell .....Brass/Nickel plate  
Insulator .....Diallyl phthalate resin  
  (UL94V-0)  
Spring latch .....Stainless steel

## Ordering Information

**57-10 36 0 R-xxx**

### CONNECTOR STYLE

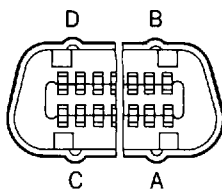
- 10 : Rack and Panel Plug
- 20 : Rack and Panel receptacle
- 30 : Cable plug,  
top cable entry
- 40 : Panel receptacle with spring  
latches
- 50 : Cable plug,  
side cable entry
- 60 : Cable receptacle with  
spring latches

### NO. OF CONTACTS

- 14, 24, 36, 50
- 64 (high barrier only)

### KEY POSITION

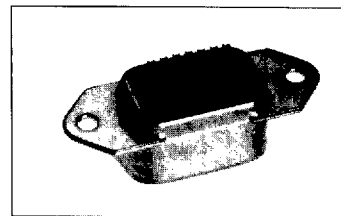
- 0 : No key
- 1 : "A" position
- 2 : "B" position
- 3 : "C" position
- 4 : "D" position



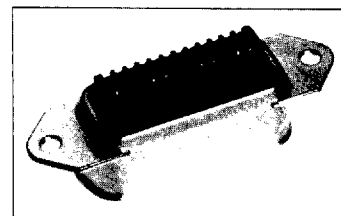
### DEVIATION

### HOUSING STYLE

- NO designation : Solder cup and dip solder type  
64 contacts...high barrier
- R : High barrier type



Standard solder cup type



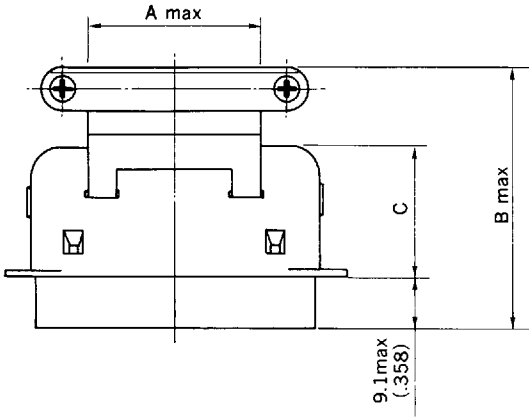
High barrier type

# 57 Series



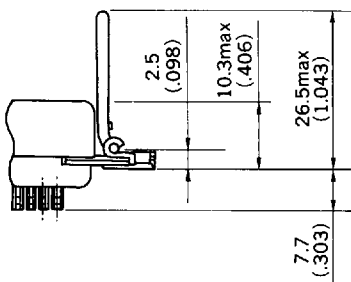
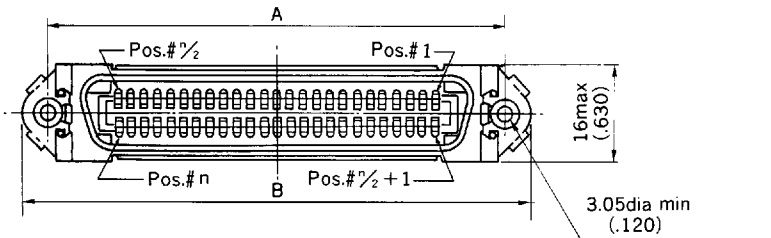
## ● Plug - Ribbon cable type

Unit:mm(inch)

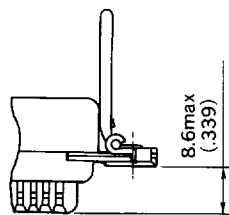


NO. OF CONT'S	Solder cup	High-barrier	A	B	C
36	57-3036×-D8	57-3036×R-D8	37.0 (1.457)	48.0 (1.890)	23.0 (.906)
50	57-3050×-D8	57-3050×R-D8	55.0 (2.165)	51.0 (2.008)	25.4 (1.000)

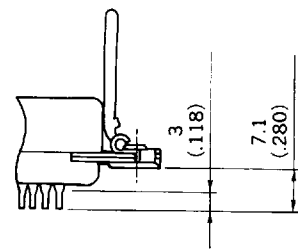
## ● Receptacles



Solder cup type



High-barrier type



Dip solder type

NO. OF CONT'S	Solder cup	High-barrier	Dip solder	A	B	C	D	E
14	57-4014×	57-4014×R	57-4014×-8	36.0 (1.417)	43.9 (1.728)	12.96 (.510)	23.9 (.941)	35.3 (1.390)
24	57-4024×	57-4024×R	57-4024×-9	46.8 (1.843)	54.7 (2.154)	23.76 (.935)	34.7 (1.366)	46.08 (1.814)
36	57-4036×	57-4036×R	57-4036×-12	59.7 (2.350)	67.7 (2.665)	36.72 (1.446)	47.7 (1.878)	59.04 (2.324)
50	57-4050×	57-4050×R	57-4050×-9	74.9 (2.949)	82.8 (3.260)	51.84 (2.041)	62.8 (2.472)	74.15 (2.919)