

SERIES L10A,B

● FEATURES

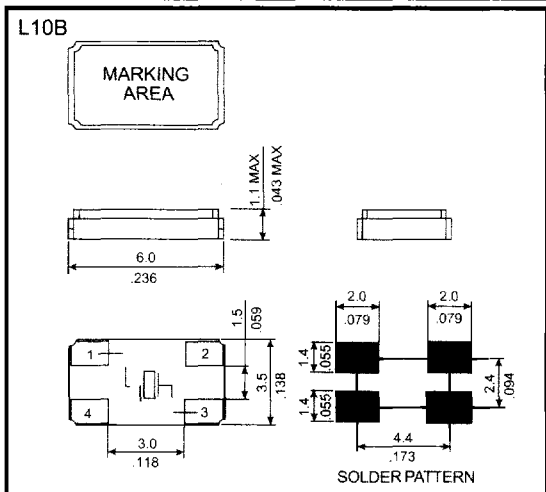
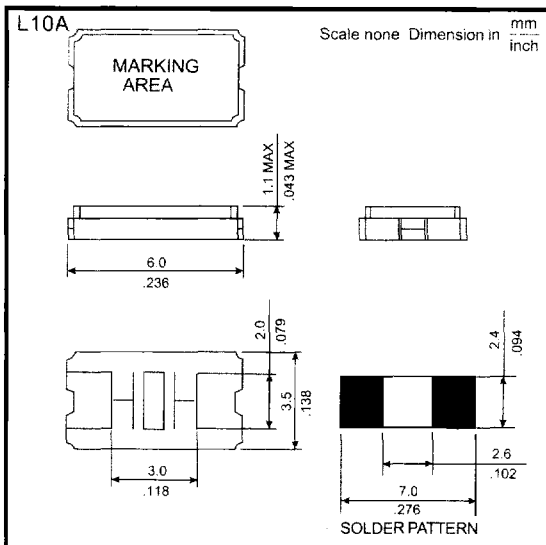
- 1.1 mm MAXIMUM HEIGHT
- WIDE FREQUENCY RANGE
- TWO (2) OPTIONAL FOOTPRINTS

● SPECIFICATIONS

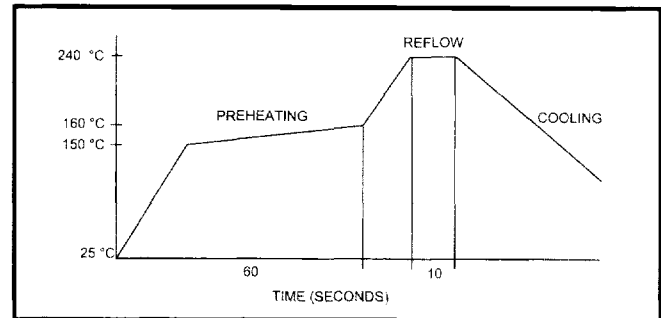
FREQUENCY RANGE	10.00 MHz TO 40.00 MHz (FUNDAMENTAL) 40.00 MHz TO 100.00 MHz (THIRD OVERTONE)
FREQUENCY TOLERANCE AT 25°C	±50 PPM MAXIMUM (±30 PPM AVAILABLE)
FREQUENCY STABILITY OVER TEMPERATURE RANGE	±50 PPM MAXIMUM (±30 PPM AVAILABLE)
OPERATING TEMPERATURE RANGE	-20°C TO +70°C STANDARD
STORAGE TEMPERATURE RANGE	-40°C TO +85°C
AGING (FIRST YEAR)	±5 PPM PER YEAR
EQUIVALENT SERIES RESISTANCE (ESR)	80 OHM MAXIMUM
LOAD CAPACITANCE	10 pF TO 32 pF OR SERIES
SHUNT CAPACITANCE	7.0 pF MAXIMUM
DRIVE LEVEL	10 TO 100 μW
REFLOW CONDITIONS	240°C FOR 10 s MAXIMUM



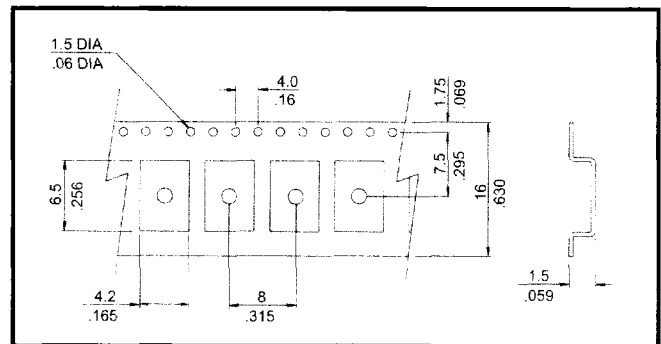
● OUTLINE DRAWINGS



● SOLDER REFLOW PROFILE



● CARRIER TAPE DIMENSIONS



● PACKAGING

180mm REEL DIAMETER, 16mm TAPE WIDTH, 8mm PITCH
QUANTITY: 1000 PIECES PER REEL

● PART NUMBERING SYSTEM

HOLDER TYPE	FREQUENCY	LOAD CAPACITANCE	MODE		TAPE AND REEL
			FUND 3OT	FUNDAMENTAL THIRD OVERTONE	
L10A L10B	IN MHZ	10 TO 32 pF FOR PARALLEL S FOR SERIES			T

EXAMPLE: L10A-40.320-18-3OT-T
L10B-24.000-20-FUND-T