

FOX MODEL: F4600 SERIES

3.3V LV-PECL OSCILLATOR WITH STANDBY



FEATURES

- 3.3V Operation
- LV-PECL Output
- Complementary Outputs
- Standby Function
- Tape and Reel (2,000 pcs. STD)

OPTIONS

- 2.5V Version (F4620)
- Pin 2 E/D (A Series)

Quote it!

PART NUMBER SELECTION <small>Learn More - Internet Required</small>				
Part Number	Model Number	Frequency Stability ¹	Operating Temperature (°C)	Frequency Range (MHz)
535-Frequency-xxxxx	F4600	±100PPM	-10 ~ +70 0 ~ +70	41.660 ~ 170.000 170.000+ ~ 213.000
536-Frequency-xxxxx	F4600R	±100PPM	-40 ~ +85	41.660 ~ 170.000
537-Frequency-xxxxx	F4605	±50PPM	-10 ~ +70 0 ~ +70	41.660 ~ 170.000 170.000+ ~ 213.000
538-Frequency-xxxxx	F4605R	±50PPM	-40 ~ +85	41.660 ~ 170.000
539-Frequency-xxxxx	F4606	±25PPM	-10 ~ +70 0 ~ +70	41.660 ~ 170.000 170.000+ ~ 210.000
540-Frequency-xxxxx	F4606R	±25PPM	-40 ~ +85	41.660 ~ 170.000
541-Frequency-xxxxx	F4608	±20PPM	-10 ~ +70	41.660 ~ 170.000

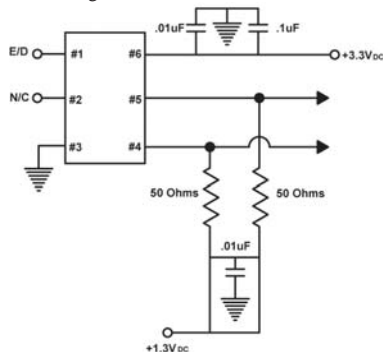
ELECTRICAL CHARACTERISTICS	
PARAMETERS	MAX (unless otherwise noted)
Frequency Range (Fo)	41.660 ~ 213.000 MHz
Storage Temperature Range (TSTG)	-55°C ~ +125°C
Supply Voltage (VDD)	3.3V ± 5%
Input Current (IDD)	60mA
Output Symmetry (50% Vp-p Level)	
41.660 MHz ~ 170.000 MHz	45% ~ 55%
170.000 Mhz ~ 213.000 MHz	40% ~ 60%
Rise Time (TR) (20% ~ 80% Vp-p)	1nS
Fall Time (TF)(80% ~ 20% Vp-p)	1nS
Output Voltage (VOL)	1.7V
(VOH)	2.2V Min
Standby Current	30µA
Output Load	See Recommended Circuit
Start-up Time (Ts)	10mS
Output Disable Time ²	100nS
Output Enable Time ²	10mS
Jitter	
12kHz ~ 20MHz	0.3pS Typ.
RMS Period	2.5pS Typ.
Cycle-to-Cycle	20pS Typ.

¹ Inclusive of 25°C tolerance, operating temperature range, input voltage change, load change, aging, shock, and vibration.

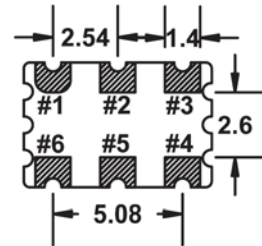
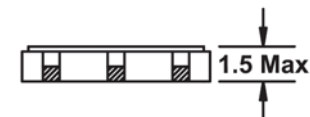
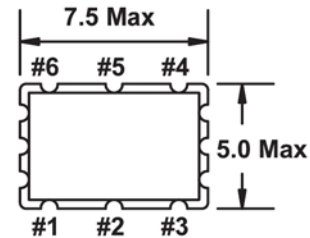
² An internal pullup resistor from pin 1 to pin 6 allows active output if pin 1 is left open.

Note: A 0.01µF bypass capacitor should be placed between VDD (Pin 6) and GND (Pin 3) to minimize power supply line noise.

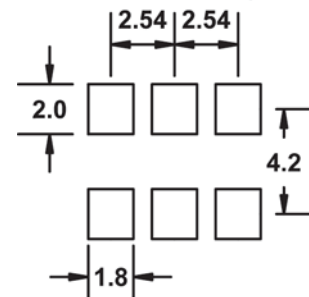
All specifications subject to change without notice. Rev. 3/9/05



Learn more about:
Part Marking Identification
Tape and Reel Specification
Mechanical Specification
Internet required



Recommended Solder Pad Layout



Pin Connections

- #1 E/D
- #2 NC
- #3 GND
- #4 Output 1
- #5 Output 2
- #6 VDD

All dimensions are in millimeters.

ENABLE / DISABLE FUNCTION ³		
(Pin 1)	OUTPUT (Pin 4)	OUTPUT (Pin 5)
OPEN	ACTIVE	ACTIVE
'1' Level VIH ≥ 70% VDD	ACTIVE	ACTIVE
'0' Level VIL ≤ 30% VDD	High Z	High Z