

Power Cord with IEC Appliance Connector C13, angled, 70°C

new



C13



70° C

**Description**

Power Supply Cord / Interconnection Cord, Protection class I, Pin temperature 70 °C, Cable

Approvals

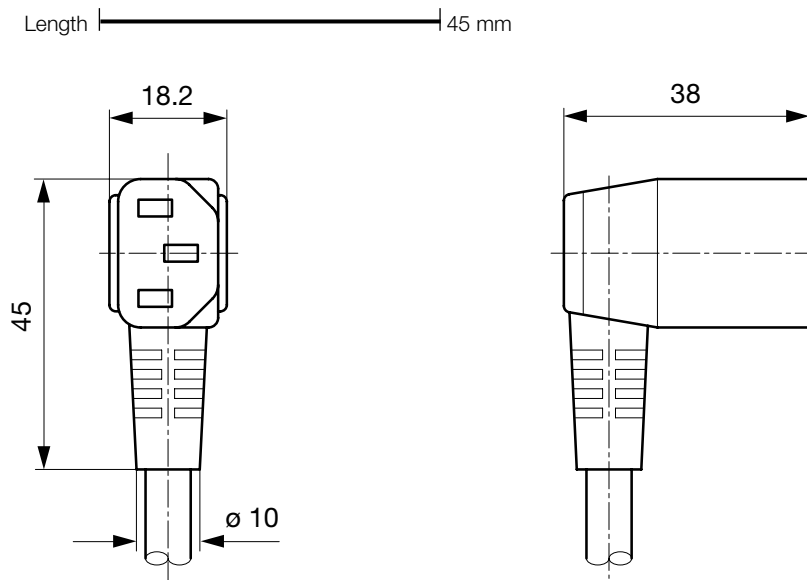
- UL License Number: E45116
- CSA License Number: 27325

Weblinks

[Approvals](#), [RoHS](#), [CHINA-RoHS](#), [e-Store](#), [SCHURTER-Stock-Check](#), [Distributor-Stock-Check](#), [Product Configurator](#)

Technical Data

Ratings IEC	10A / 250VAC; 50Hz	Appliance-Inlet/-Outlet	C13 acc. to IEC/EN 60320-1
Ratings UL/CSA	10A / 250VAC; 60Hz		UL 498, CSA C22.2 no. 42 (for cold conditions) pin-temperature 70 °C, 10A, Protection class I
Dielectric Strength	> 3 kVDC between L-N > 1.5 kVAC between L/N-PE (1 min/50Hz)		
Allowable Operation Temp.	-25 °C to 70 °C		
Degree of Protection	from front side IP 20 acc. to IEC 60529		
Protection Class	Suitable for appliances with protection class I acc. to IEC 61140		
Terminal	moulded		
Material: Housing	black or grey		

Dimensions

Order Code

Product Configurator

Type - R - 311L - D - Length

The characters are placeholders for the correspondingly keys of selections from the key tables.
Typ steht für den Stecker bzw. 2. Seite, Länge ist die Leitungslänge in mm.

Type - R - 311L - D - Length = cord end 2

cord end 2

zzzz, P186, P543, 0607, 0608, 0609, 1140, 2343, 422U, 4321, 4370, 4390

Type - R - 311L - D - Length = corde type

corde type

Configuration key

H03VV-F 3G0,75mm2	C
H05VV-F 3G0,75mm2	G
H05VV-F 3G1,0mm2	I
SVT 3x18AWG	N
SJT 3x18AWG	P

General Product Information see page XXX

Type - R - 311L - D - Length = Color

Color

Configuration key

jet black; RAL9005	A
silver grey; RAL7001	B
grey; RAL7032	E

Standard color: black

Type - R - 311L - D - Length = Leitungslänge

Leitungslänge

zzzz, 000500, 001000, 001500, 002000, 002500, 003000, 005000

cord length in mm

Mating Inlets/Plugs

Category / Description

Appliance Inlet

IEC 320 C14 AC Inlet	0711
IEC appliance inlet C14, screw-on mounting, rear side, PCB terminal	1001
IEC appliance inlet C18, screw-on mounting, rear side, PCB terminal	1005
IEC appliance inlet C14, snap-in mounting, front side, solder/quick connect/screw terminals	6010
IEC appliance inlet C18, snap-in mounting, front side, solder/quick connect/screw terminals	6015
IEC appliance inlet C14, screw-on mounting, front/rear side, solder/quick connect/screw terminals	6048
IEC appliance inlet C14, screw-on mounting, front/rear side, solder/quick connect/screw terminals	6049
IEC appliance inlet C14, screw-on mounting, front side, solder/quick connect/PCB/screw terminals	6061
IEC appliance inlet C14, screw-on mounting, front side, solder terminal	6061-G
IEC appliance inlet C14, screw-on mounting, front side, solder/quick connect/PCB/screw terminals	6062
...	...



Distribution Unit

Distribution Unit for Snap Mounting with 1 IEC Appliance Connector C14 and 1 Plug F	0712
Distribution Unit with 1 IEC Appliance Connector C14 or Power Cord and 4 IEC Appliance Plugs F	4740
Distribution Unit with 1 IEC Appliance Connector C14 and 2 Plugs F, shuttered	4741
Distribution Unit with 1 IEC Appliance Connector C14 and 4 Plugs F	4747



Interconnection Cord

Power Cord with IEC Appliance Plug E, angled, 70°C	0607
Power Cord with IEC Appliance Plug E, angled, 70°C	0608
Power Cord with IEC Appliance Plug E, straight, 70°C	0609
Power Cord with IEC Appliance Plug G, angled, 70°C	607B
Power Cord with IEC Appliance Plug G, angled, 70°C	608B
Power Cord with IEC Appliance Plug G, straight, 70°C	609B



Category / Description

Plug Connector



IEC plug connector E, rewirable, straight, max. cable diameter 8.5 mm	4732
IEC plug connector E, rewirable, angled, max. cable diameter 10 mm	4733
IEC plug connector E, rewirable, straight, max. cable diameter 10 mm	4735
IEC plug connector E, rewirable, angled, max. cable diameter 10 mm	4736
IEC plug connector E, rewirable, straight	9009
IEC plug connector E, rewirable, angled	9013
IEC plug connector E, rewirable, angled	P685

Power Entry Module



IEC Appliance Connector C14 with Fuseholder, 70°C	1062
IEC Appliance Connector C18 with Fuseholder, 70°C	1062-B
IEC Appliance Connector C14 with Fuseholder, 70°C	1064
IEC Appliance Connector C18 with Fuseholder, 70°C	1065
IEC Appliance Connector C18 with Fuseholder, 70°C	1066
IEC Appliance Connector C14 with Fuseholder, 70°C	1092
IEC Appliance Connector C14 with Fuseholder 2-pole	4707
IEC Appliance Connector with Line Switch C14, 70°C	6010-K
IEC appliance inlet C14 with 2-pole circuit breaker TA35	6135
IEC appliance inlet C14 with circuit breaker TA45, 2-pole	6145
...	...

Power Entry Module with line filter



Inlet filter, front side mounting	5110
Inlet filter, front side mounting, circuit breaker TA45 2-pole	5145
Inlet filter, front side mounting, fuseholder 5x20 mm	5200
Inlet filter, front side mounting, fuseholder 5x20 mm	5220
IEC Appliance Connector C14 with Fuseholder 2-pole	8843-8
Line switch with/without bowden cable, fuseh. 5x20/6.3x32 mm, voltage selector	CD
Line switch with/without bowden cable, fuseh. 5x20/6.3x32 mm, voltage selector	CD-Bowdencable
Front side mounting, fuseh. 5 x 20 mm/6.3x32 mm, with or without voltage selector (series-parallel)	CE
Line switch with/without bowden cable, fuseh. 5x20/6.3 x 32 mm, voltage sel. (series-parallel)	CG
With fuseholder 5x20 mm/6.3x32 mm, voltage sel. (series-parallel)	CG-Bowdencable
...	...