



LIGITEK

LIGITEK ELECTRONICS CO.,LTD.
Property of Ligitek Only

TAPE AND REEL TYPE LED LAMPS



Lead-Free Parts

LY3330-PF/TRF-X

DATA SHEET

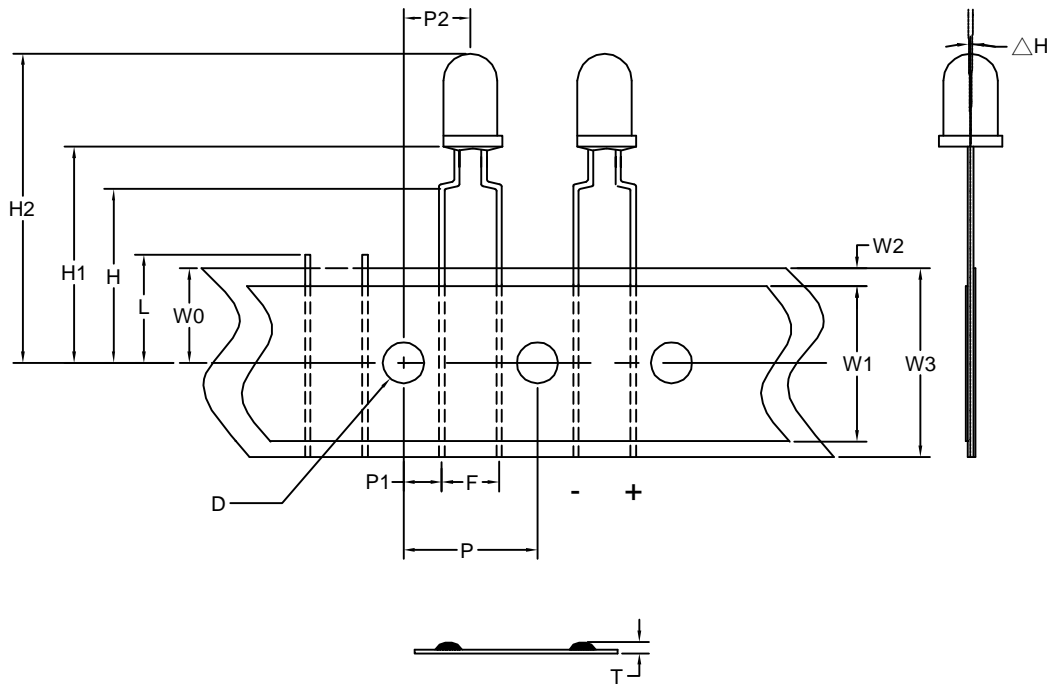
DOC. NO : QW0905-LY3330-PF/TRF-X

REV. : A

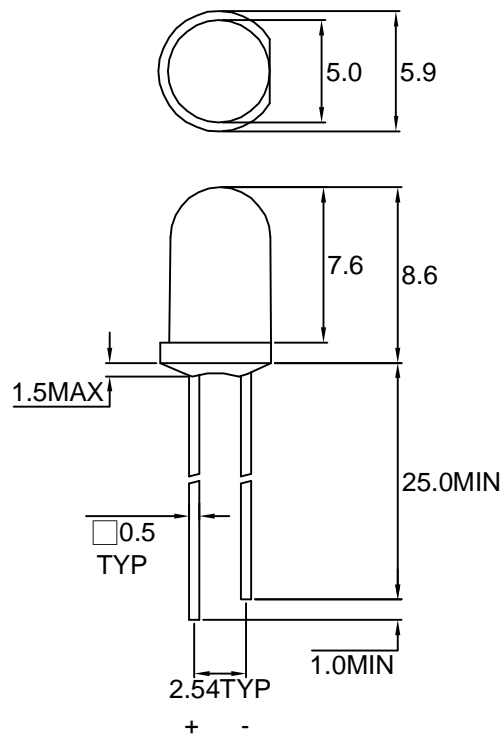
DATE : 09 - Nov. - 2007



Package Dimensions



LY3330-PF



Note : 1.All dimension are in millimeter tolerance is $\pm 0.25\text{mm}$ unless otherwise noted.
 2.Specifications are subject to change without notice.

**Absolute Maximum Ratings at Ta=25 °C**

| Parameter | Symbol | Ratings | UNIT |
|---|--------|------------|------|
| | | Y | |
| Forward Current | IF | 20 | mA |
| Peak Forward Current Duty 1/10@10KHz | IFP | 80 | mA |
| Power Dissipation | PD | 60 | mW |
| Reverse Current @5V | Ir | 10 | μA |
| Operating Temperature | Topr | -40 ~ +85 | °C |
| Storage Temperature | Tstg | -40 ~ +100 | °C |

Typical Electrical & Optical Characteristics (Ta=25 °C)

| PART NO | MATERIAL | COLOR | | Peak wave length λ Pnm | Spectral halfwidth Δ λ nm | Forward voltage @20mA(V) | | Luminous intensity @10mA(mcd) | | Viewing angle 2θ 1/2 (deg) |
|-----------------|-----------|---------|-----------------|---------------------------|------------------------------|-----------------------------|------|----------------------------------|------|----------------------------------|
| | | Emitted | Lens | | | Min. | Max. | Min. | Typ. | |
| LY3330-PF/TRF-X | GaAsP/GaP | Yellow | Yellow Diffused | 585 | 35 | 1.7 | 2.6 | 20 | 30 | 28 |

Note : 1.The forward voltage data did not including ±0.1V testing tolerance.
2. The luminous intensity data did not including ±15% testing tolerance.



• Dimensions Symbol Information

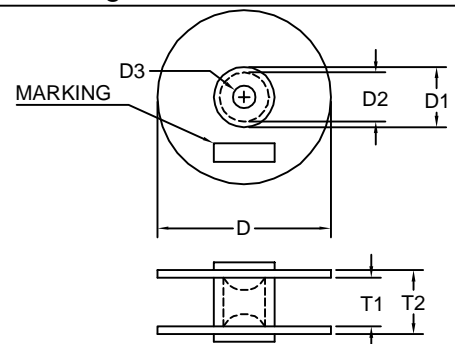
| SYMBOL ITEMS | OPTION CODE | SYMBOL | SPECIFICATIONS | | | |
|---------------------------------------|-------------|--------|----------------|-------|---------|------|
| | | | Minimum | | Maximum | |
| | | | mm | inch | mm | inch |
| Tape Feed Hole Diameter | ----- | D | 3.8 | 0.15 | 4.2 | 0.17 |
| Component Lead Pitch | ----- | F | 4.8 | 0.19 | 5.8 | 0.23 |
| Front-To-Rear Deflection | ----- | ΔH | ----- | ----- | 2.0 | 0.08 |
| Height Of Seating Plane | ----- | H | 15.5 | 0.61 | 16.5 | 0.65 |
| Feed Hole To Bottom Of Component | TRF-1 | H1 | 17.5 | 0.69 | 19.5 | 0.77 |
| | TRF-2 | | 19.0 | 0.75 | 21.0 | 0.83 |
| | TRF-3 | | 22.5 | 0.89 | 24.5 | 0.96 |
| | TRF-4 | | 25.5 | 1.0 | 26.5 | 1.04 |
| | TRF-5 | | 21.5 | 0.85 | 22.5 | 0.89 |
| | TRF-6 | | 20.2 | 0.8 | 21.2 | 0.83 |
| | TRF-7 | | 17.125 | 0.67 | 21.125 | 0.83 |
| | TRF-8 | | 20.0 | 0.79 | 22.5 | 0.89 |
| | TRF-9 | | 26.0 | 1.02 | 28.0 | 1.1 |
| | TRF-11 | | 24.0 | 0.94 | 26.0 | 1.02 |
| TRF-12 | 21.0 | 0.83 | 23.0 | 0.91 | | |
| Feed Hole To Overall Component Height | ----- | H2 | ----- | ----- | 36 | 1.42 |
| Lead Length After Component Height | ----- | L | W0 | | 11.0 | 0.43 |
| Feed Hole Pitch | ----- | P | 12.4 | 0.49 | 13.0 | 0.51 |
| Lead Location | ----- | P1 | 3.15 | 0.12 | 4.55 | 0.18 |
| Center Of Component Location | ----- | P2 | 5.1 | 0.2 | 7.7 | 0.3 |
| Overall Taped Package Thickness | ----- | T | ----- | ----- | 1.42 | 0.06 |
| Feed Hole Location | ----- | W0 | 8.5 | 0.33 | 9.75 | 0.38 |
| Adhesive Tape Width | ----- | W1 | 14.5 | 0.57 | 15.5 | 0.61 |
| Adhesive Tape Position | ----- | W2 | 0 | 0 | 4.0 | 0.16 |
| Tape Width | ----- | W3 | 17.5 | 0.69 | 19.0 | 0.75 |

REMARK:TRF=Tape And Reel Forming Leads

• Dimensions Symbol Information

• Package Dimensions

| Description | Symbol | Specification | | | |
|------------------------------|---------|---------------|------|---------|-------|
| | | minimum | | maximum | |
| | | mm | inch | mm | inch |
| Reel Diameter | D | 78.2 | 3.08 | 380 | 14.96 |
| Core Diameter | D1 | 34.9 | 1.37 | 102 | 4.02 |
| Hub Recess Inside Diameter | D2 | 28.6 | 1.13 | 88.0 | 3.46 |
| Arbor Hole Diameter | D3 | 13.8 | 0.54 | 38.1 | 1.5 |
| Overall Reel Thickness | T | --- | --- | 57.2 | 2.25 |
| Inside Reel Flange Thickness | T1 | 30.0 | 1.18 | 50.0 | 1.97 |
| LY3330-PF/TRF-X | 1000PCS | | | | |





• Dimensions Symbol Information

| SYMBOL ITEMS | OPTION CODE | SYMBOL | SPECIFICATIONS | | | |
|---------------------------------------|-------------|--------|----------------|-------|---------|------|
| | | | Minimum | | Maximum | |
| | | | mm | inch | mm | inch |
| Tape Feed Hole Diameter | ----- | D | 3.8 | 0.15 | 4.2 | 0.17 |
| Component Lead Pitch | ----- | F | 4.8 | 0.19 | 5.8 | 0.23 |
| Front-To-Rear Deflection | ----- | △H | ----- | ----- | 2.0 | 0.08 |
| Height Of Seating Plane | ----- | H | 15.5 | 0.61 | 16.5 | 0.65 |
| Feed Hole To Bottom Of Component | TRF-13 | H1 | 19.0 | 0.75 | 20.0 | 0.79 |
| | TRF-14 | | 21.7 | 0.85 | 23.7 | 0.93 |
| | TRF-15 | | 22.5 | 0.89 | 23.5 | 0.93 |
| | TRF-16 | | 17.5 | 0.69 | 18.0 | 0.71 |
| | TRF-17 | | 18.5 | 0.73 | 19.5 | 0.77 |
| | TRF-18 | | 20.5 | 0.81 | 21.5 | 0.85 |
| | TRF-19 | | 25.5 | 1.0 | 27.5 | 1.08 |
| | TRF-20 | | 20.5 | 0.81 | 22.5 | 0.89 |
| | TRF-21 | | 25.0 | 0.98 | 27.0 | 1.06 |
| | TRF-22 | | 22.0 | 0.87 | 23.0 | 0.91 |
| Feed Hole To Overall Component Height | ----- | H2 | ----- | ----- | 36 | 1.42 |
| Lead Length After Component Height | ----- | L | W0 | | 11.0 | 0.43 |
| Feed Hole Pitch | ----- | P | 12.4 | 0.49 | 13.0 | 0.51 |
| Lead Location | ----- | P1 | 3.15 | 0.12 | 4.55 | 0.18 |
| Center Of Component Location | ----- | P2 | 5.1 | 0.2 | 7.7 | 0.3 |
| Overall Taped Package Thickness | ----- | T | ----- | ----- | 1.42 | 0.06 |
| Feed Hole Location | ----- | W0 | 8.5 | 0.33 | 9.75 | 0.38 |
| Adhesive Tape Width | ----- | W1 | 14.5 | 0.57 | 15.5 | 0.61 |
| Adhesive Tape Position | ----- | W2 | 0 | 0 | 4.0 | 0.16 |
| Tape Width | ----- | W3 | 17.5 | 0.69 | 19.0 | 0.75 |

REMARK:TRF=Tape And Reel Forming Leads

• Dimensions Symbol Information

• Package Dimensions

| Description | Symbol | Specification | | | |
|------------------------------|--------|---------------|------|---------|-------|
| | | minimum | | maximum | |
| | | mm | inch | mm | inch |
| Reel Diameter | D | 78.2 | 3.08 | 380 | 14.96 |
| Core Diameter | D1 | 34.9 | 1.37 | 102 | 4.02 |
| Hub Recess Inside Diameter | D2 | 28.6 | 1.13 | 88.0 | 3.46 |
| Arbor Hole Diameter | D3 | 13.8 | 0.54 | 38.1 | 1.5 |
| Overall Reel Thickness | T | --- | --- | 57.2 | 2.25 |
| Inside Reel Flange Thickness | T1 | 30.0 | 1.18 | 50.0 | 1.97 |
| LY3330-PF/TRF-X | | 1000PCS | | | |



Typical Electro-Optical Characteristics Curve

Y CHIP

Fig.1 Forward current vs. Forward Voltage

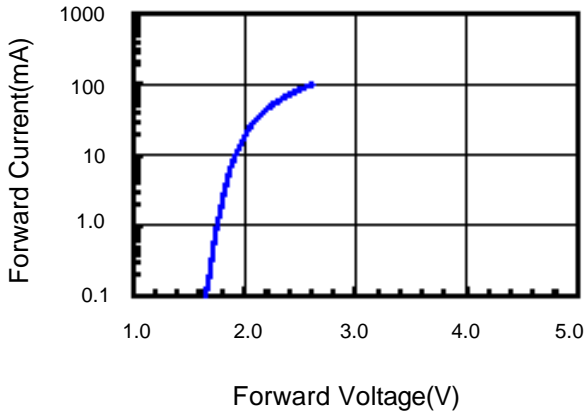


Fig.2 Relative Intensity vs. Forward Current

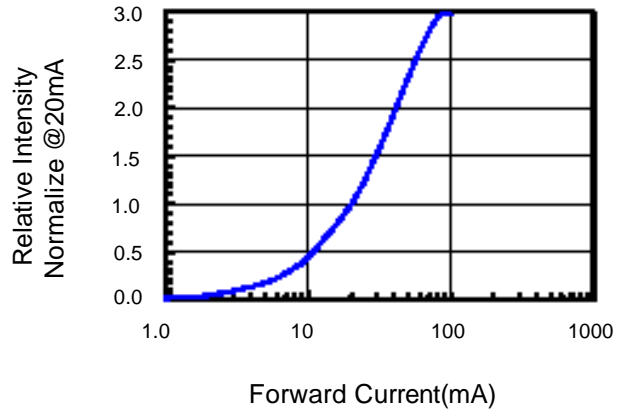


Fig.3 Forward Voltage vs. Temperature

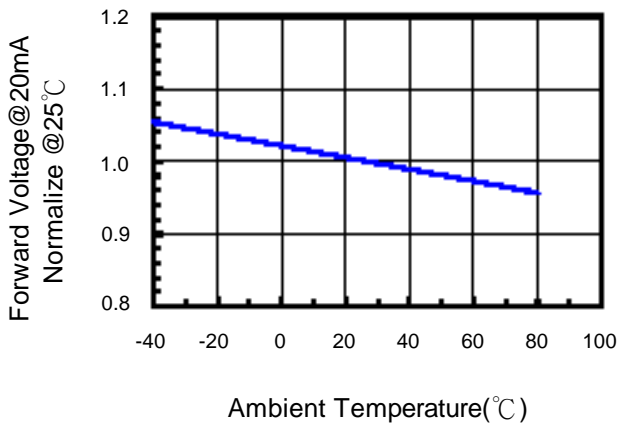


Fig.4 Relative Intensity vs. Temperature

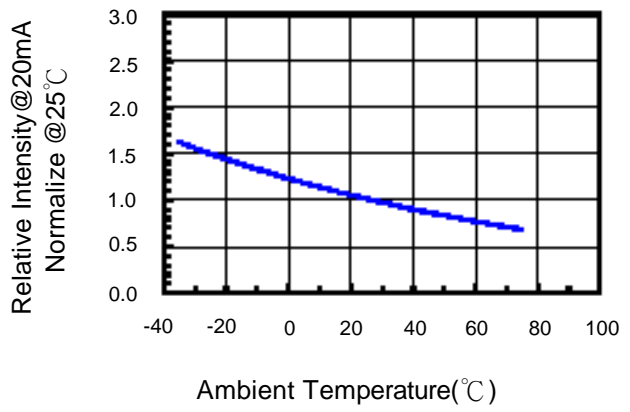


Fig.5 Relative Intensity vs. Wavelength

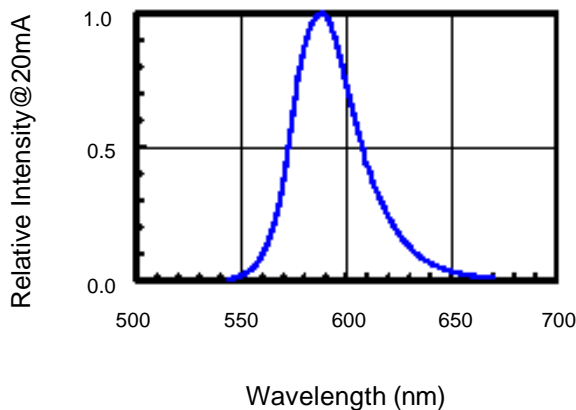
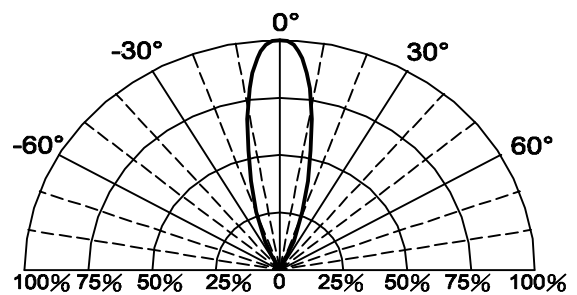


Fig.6 Directivity Radiation





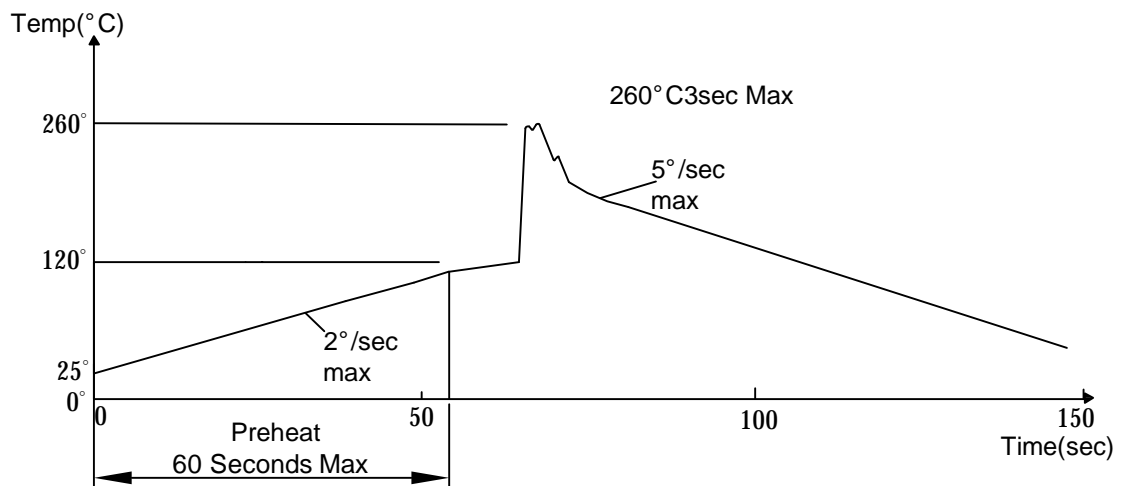
Soldering Condition(Pb-Free)

1.Iron:

- Soldering Iron:30W Max
- Temperature 350 ° C Max
- Soldering Time:3 Seconds Max(One time only)
- Distance:2mm Min(From solder joint to body)

2.Wave Soldering Profile

- Dip Soldering
- Preheat: 120° C Max
- Preheat time: 60seconds Max
- Ramp-up
- 2° C/sec(max)
- Ramp-Down:-5° C/sec(max)
- Solder Bath:260° C Max
- Dipping Time:3 seconds Max
- Distance:2mm Min(From solder joint to body)



Note: 1.Wave solder should not be made more than one time.
2.You can just only select one of the soldering conditions as above.

**Reliability Test:**

| Test Item | Test Condition | Description | Reference Standard |
|-------------------------------------|--|---|--|
| Operating Life Test | 1.Under Room Temperature 2.If=20mA 3.t=1000 hrs (-24hrs, +72hrs) | This test is conducted for the purpose of determining the resistance of a part in electrical and thermal stressed. | MIL-STD-750: 1026 MIL-STD-883: 1005 JIS C 7021: B-1 |
| High Temperature Storage Test | 1.Ta=105 °C ±5°C 2.t=1000 hrs (-24hrs, +72hrs) | The purpose of this is the resistance of the device which is laid under condition of high temperature for hours. | MIL-STD-883:1008 JIS C 7021: B-10 |
| Low Temperature Storage Test | 1.Ta=-40 °C ±5°C 2.t=1000 hrs (-24hrs, +72hrs) | The purpose of this is the resistance of the device which is laid under condition of low temperature for hours. | JIS C 7021: B-12 |
| High Temperature High Humidity Test | 1.Ta=65 °C ±5°C 2.RH=90 %~95% 3.t=240hrs ±2hrs | The purpose of this test is the resistance of the device under tropical for hours. | MIL-STD-202:103B JIS C 7021: B-11 |
| Thermal Shock Test | 1.Ta=105 °C ±5°C & -40 °C ±5°C (10min) (10min) 2.total 10 cycles | The purpose of this is the resistance of the device to sudden extreme changes in high and low temperature. | MIL-STD-202: 107D MIL-STD-750: 1051 MIL-STD-883: 1011 |
| Solder Resistance Test | 1.T.Sol=260 °C ±5°C 2.Dwell time= 10 ±1sec. | This test intended to determine the thermal characteristic resistance of the device to sudden exposures at extreme changes in temperature when soldering the lead wire. | MIL-STD-202: 210A MIL-STD-750: 2031 JIS C 7021: A-1 |
| Solderability Test | 1.T.Sol=230 °C ±5°C 2.Dwell time=5 ±1sec | This test intended to see soldering well performed or not. | MIL-STD-202: 208D MIL-STD-750: 2026 MIL-STD-883: 2003 JIS C 7021: A-2 |