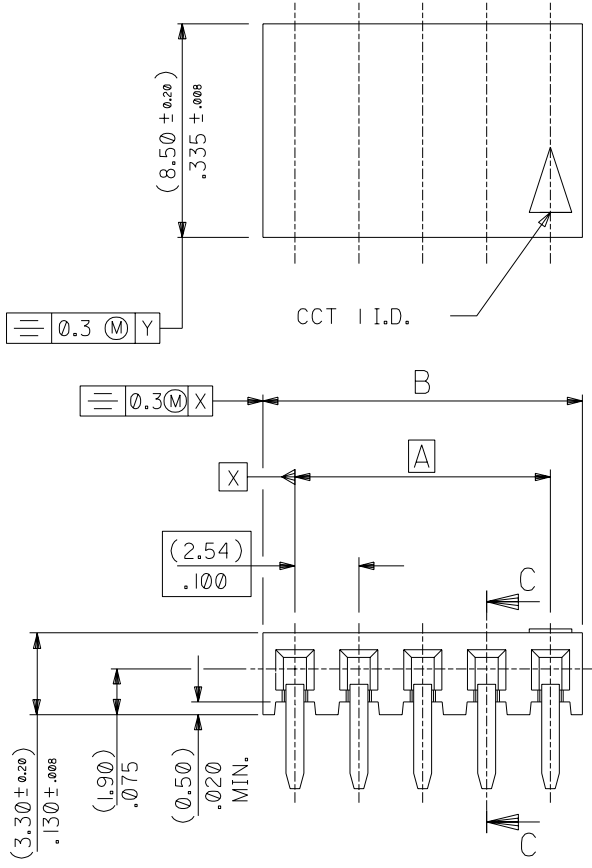
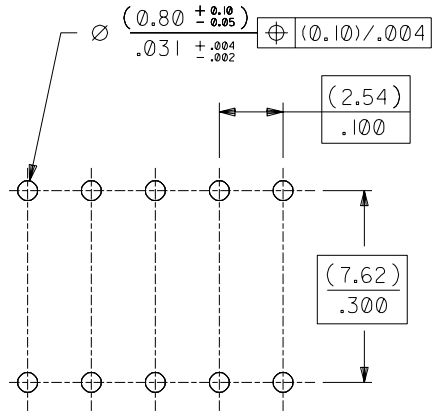


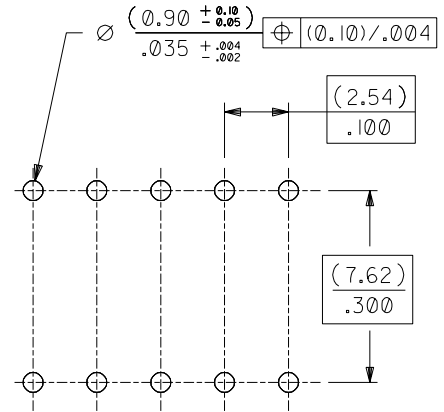
PART NO. SEE CHART
 DWG. NO. SDA-90148



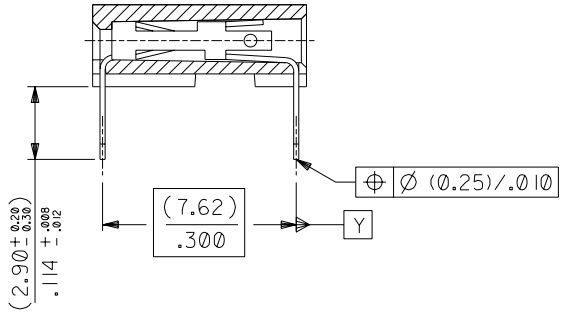
- NOTES
- CONTACT-PLATED PHOSPHOR BRONZE. (SEE SHEET 2)
 - HOUSING POLYESTER (PBT), 15% GLASS FILL, UL94-V0. COLOR: BLACK. ALSO POLYAMIDE (PA4/6), 30% GLASS FILL, UL94-V0. COLOR: NATURAL.
 - FOR (0.635)/.025 SQ. MALE PINS THE LENGTH MUST BE (5.65)/.222 MIN & (7.00)/.276 MAX. TO ENSURE GOOD CONNECTION WITH CONTACT.



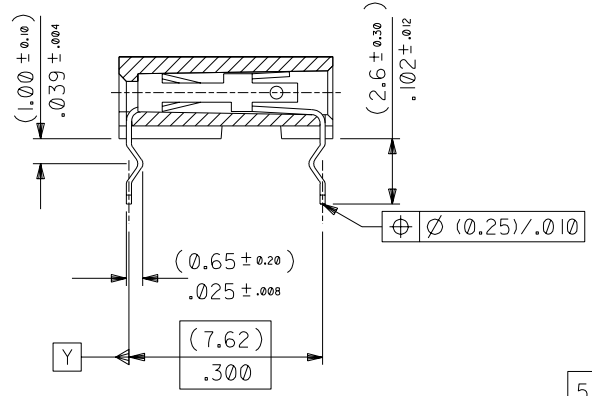
RECOMMENDED P.C. BOARD HOLE PATTERN FOR STRAIGHT PINS



RECOMMENDED P.C. BOARD HOLE PATTERN FOR KINKED PINS. RECOMMENDED BOARD THICKNESS (1.20 - 1.700 / .031 - .067)



SECTION C-C SHOWING STRAIGHT PINS



SECTION C-C SHOWING KINKED PINS

5	AD
4	AC
3	AD
2	AF
1	AG

MODIFIED TOLS EC NO. E2004-0760 DRW:DBYRNES 04/02/9 CHK: BMAGUIRE 04/02/9 APPR:EMAGUIRE 04/02/9	QUALITY SYMBOLS MAJOR = CRITICAL =	GENERAL TOLERANCES: (UNLESS SPECIFIED) <table border="1"> <tr><th></th><th>mm</th><th>INCH</th></tr> <tr><td>4 PLACES</td><td>±0.</td><td>±.</td></tr> <tr><td>3 PLACES</td><td>±0.</td><td>±.</td></tr> <tr><td>2 PLACES</td><td>±0.</td><td>±0.15</td></tr> <tr><td>1 PLACE</td><td>±0.</td><td>±.</td></tr> </table>			mm	INCH	4 PLACES	±0.	±.	3 PLACES	±0.	±.	2 PLACES	±0.	±0.15	1 PLACE	±0.	±.	SCALE 5:1 DESIGN UNITS <input type="checkbox"/> mm <input type="checkbox"/> INCH THIRD ANGLE PROJECTION	DIMENSIONS: <input type="checkbox"/> mm <input type="checkbox"/> INCH <input type="checkbox"/> mm <input checked="" type="checkbox"/> INCH ONLY	SHT REV REVISE ON CAD ONLY
		mm	INCH																		
	4 PLACES	±0.	±.																		
	3 PLACES	±0.	±.																		
2 PLACES	±0.	±0.15																			
1 PLACE	±0.	±.																			
DESCRIPTION AG	DRAWN BY & DATE DB 14/07/87	TITLE: C-GRID III SINGLE ROW HORIZONTAL P.C. BOARD CONNECTOR		MOLEX INCORPORATED																	
REV	CHECKED BY & DATE / /	APPROVED BY & DATE / /		CAD FILENAME	MATERIAL NO. SEE CHART DRAWING NO. SDA-90148 SHEET NO. 1 OF 5																
DRAFT WHERE APPLICABLE MUST REMAIN WITHIN DIMENSIONS		THIS DRAWING CONTAINS INFORMATION THAT IS PROPRIETARY TO MOLEX INCORPORATED AND SHOULD NOT BE USED WITHOUT WRITTEN PERMISSION.																			

10 9 8 7 6 5 4 3 2 1

PART NO. SEE CHART
DWG. NO. SDA-90148

PART NO.	PART NO.	PART NO.	NO. OF CKTS.	DIM. A	DIM. B $(\begin{smallmatrix} +0.30 \\ -0.12 \end{smallmatrix})$	NO. PER TUBE	CCT 1 I.D. COLOUR
90148-1X02	90148-2X02	90148-4X02	2	(2.54) .100	(5.08) .200	105	NONE
↑ 03	↑ 03	↑ 03	3	(5.08) .200	(7.62) .300	72	↑
04	04	04	4	(7.62) .300	(10.16) .400	52	
05	05	05	5	(10.16) .400	(12.70) .500	44	
06	06	06	6	(12.70) .500	(15.24) .600	36	
07	07	07	7	(15.24) .600	(17.78) .700	30	
08	08	08	8	(17.78) .700	(20.32) .800	26	
09	09	09	9	(20.32) .800	(22.86) .900	24	
10	10	10	10	(22.86) .900	(25.40) 1.000	22	
11	11	11	11	(25.40) 1.000	(27.94) 1.100	18	
12	12	12	12	(27.94) 1.100	(30.48) 1.200	18	
13	13	13	13	_____	_____	16	
14	14	14	14	(33.02) 1.300	(35.56) 1.400	14	
15	15	15	15	(35.56) 1.400	(38.10) 1.500	14	
16	16	16	16	_____	_____	13	
17	17	17	17	_____	_____	12	
18	18	18	18	(43.18) 1.700	(45.72) 1.800	12	
19	19	19	19	(45.72) 1.800	(48.26) 1.900	12	
20	20	20	20	(48.26) 1.900	(50.80) 2.000	11	
21	21	21	21	_____	_____	10	
22	22	22	22	_____	_____	10	
23	23	23	23	_____	_____	10	
24	24	24	24	_____	_____	9	
25	25	25	25	(60.96) 2.400	(63.50) 2.500	8	
26	26	26	26	(63.50) 2.500	(66.04) 2.600	8	
27	27	27	27	_____	_____	8	
28	28	28	28	_____	_____	7	
29	29	29	29	_____	_____	7	
30	30	30	30	(73.66) 2.900	(76.20) 3.000	7	
↓ 31	↓ 31	↓ 31	31	_____	_____	7	↓
90148-1X32	90148-2X32	90148-4X32	32	(78.74) 3.100	(81.28) 3.200	6	NONE

PLATING VERSION A
PRE-PLATED HOT DIP TIN
1.0 TO 2.5 microns (.00004" TO .00010").

PLATING VERSION E
1.27 TO 1.78 microns (.00005" TO .00007") NICKEL
OVERALL, 0.38 TO 0.64 microns (.000015" TO .000025")
GOLD ON CONTACT AREA (OVER NICKEL).
3 TO 5 microns (.00012" TO .00020") TIN
ON SOLDER TAILS (OVER NICKEL).

PLATING VERSION F.
1.27 TO 1.78 microns (.00005" TO .00007") NICKEL
OVERALL, 0.76 TO 1.0 microns (.00003" TO .00004")
GOLD ON CONTACT AREA (OVER NICKEL).
3 TO 5 microns (.00012" TO .00020") TIN
ON SOLDER TAILS (OVER NICKEL).

90148-XXYY

INDICATES NO. OF CIRCUITS
 PLATING CODE
 1 = VERSION A
 2 = VERSION E
 3 = VERSION F

 1 = STRAIGHT PINS POLYESTER
 2 = KINKED PINS POLYESTER
 4 = STRAIGHT PINS NYLON 46

FOR PREVIOUS DRAWING ISSUES SEE MRI.

LEAD FREE CONVERSION NEW BORDER ADDED EC NO. E2004-0610 DRWN: PSHEAHAN 08/01/2004 CHK: APPR: AG	DESCRIPTION MAJOR CRITICAL C	QUALITY SYMBOLS MAJOR CRITICAL C	GENERAL TOLERANCES: (UNLESS SPECIFIED) mm INCH 4 PLACES ±0. ±. 3 PLACES ±0. ±. 2 PLACES ±0. ±. 1 PLACE ±0. ±. ANGULAR: ± °	SCALE DESIGN UNITS <input checked="" type="checkbox"/> mm <input type="checkbox"/> INCH DRAWN BY & DATE DB 14/ 7/87 CHECKED BY & DATE APPROVED BY & DATE	DIMENSIONS: <input checked="" type="checkbox"/> mm <input type="checkbox"/> INCH <input type="checkbox"/> mm ONLY SHT REV REVISE ON CAD ONLY
		DRAFT WHERE APPLICABLE MUST REMAIN WITHIN DIMENSIONS	CAD FILENAME SA90148X2 DGN MATERIAL NO. SEE CHART DRAWING NO. SDA-90148 SHEET NO. 20F		

TITLE: C-GRID III SINGLE ROW HORIZONTAL P.C. BOARD CONNECTOR		MOLEX INCORPORATED
THIS DRAWING CONTAINS INFORMATION THAT IS PROPRIETARY TO MOLEX INCORPORATED AND SHOULD NOT BE USED WITHOUT WRITTEN PERMISSION.		SIZE B

7132-1283 10 9 8 7 6 5 4 3 2 1