

**Product Information Bulletin**

**ELC**

**ELC / 64653 HLX**

**ELC-3/X**

**ELC-7/X**

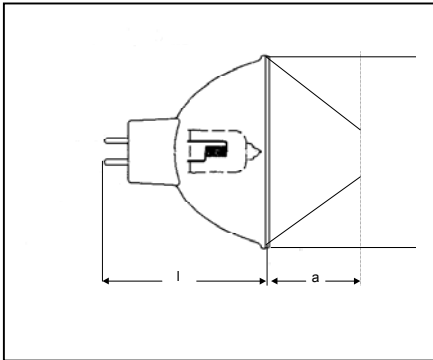
**Low Voltage Tungsten Halogen Lamps with Reflector**

- Full series of ELC lamps
- Dichroic coated glass reflector (MR16)
- Rugged design
- The ELC 64653 HLX, ELC-3/X and ELC-7/X use OSRAM XENOPHOT® technology (Xenon fill gas)
- New ELC-7/X lamp with 700 hrs. service life



**TECHNICAL DATA**

Ordering Abbreviation		ELC	ELC / 64653 HLX	ELC-3/X	ELC-7/X
<b>Electrical Data:</b>					
Watts	W	250	250	250	250
Voltage	V	24	24	24	24
<b>Photometric Data:</b>					
Screen Lumens	lm	800	800	550	475
<b>Geometrical Data:</b>					
Length l Max.	mm	44.83	44.5	44.83	44.83
Working Distance a	mm	31.75	35.0	31.75	31.75
Diameter d	mm	51	51	51	51
<b>Other Data:</b>					
Average Service Life	hrs	50	50	300	700
Color Temperature	K	3400	3400	3250	3200
Base		GX 5.3	GX 5.3	GX 5.3	GX 5.3
Bulb		T3.5	T3.5	T3.5	T3.5
Operating Position		Any	p 90/15	Any	Any



**APPLICATION INFORMATION**

**Applications**

- Overhead Projection
- Fiber-Optic
- Entertainment

**WARNING**

This lamp emits ultraviolet (UV) radiation and operates at high internal pressure. **Before use**, read the complete warning accompanying the product.

**Disposal**

When disposing of spent lamps, always consult federal, state, local and provincial hazardous waste disposal rules and regulations to ensure proper disposal.

## ORDERING INFORMATION

Lamp Description	NAED Code	Standard Case Quantity
ELC	54840	24/case
ELC / 64653 HLX	54212	20/case
ELC-3 / X	54841	24/case
ELC-7 / X	54814	24/case
ELC-7 / X Bulk	54811	100/case

For Orders and  
General Information:  
**OSRAM SYLVANIA**  
National Customer  
Support Center  
18725 N. Union Street  
Westfield, IN 46074

### Photo-Optic

Phone: 1-888-677-2627  
Phone: 1-888-OSRAMCS  
Fax: 1-800-762-7192

### Special Markets

Phone: 1-800-762-7191  
Fax: 1-800-762-7192

### Industrial and Commercial

Phone: 1-800-255-5042  
Fax: 1-800-255-5043

### In Canada

#### OSRAM SYLVANIA LTD.

Headquarters  
2001 Drew Road  
Mississauga, ON L5S 1S4

### Special Markets

Phone: 1-800-265-2852  
Fax: 1-800-667-6772

### Industrial and Commercial

Phone: 1-800-263-2852  
Fax: 1-800-667-6772

Visit our website: [www.sylvania.com](http://www.sylvania.com)

In North America OSRAM brand lighting  
products are sold by OSRAM SYLVANIA

**OSRAM**  
**SYLVANIA**