

DECT RF / IF IC

Description

The U2761B is an integrated circuit manufactured in TEMIC's UHF5S technology, designed for DECT application. It contains rejection mixer, IF amplifier,

FM demodulator, baseband filter, RSSI, TX preamplifier and power-ramping generator for power amplifier.

Features

- Supply-voltage range 2.7 to 5.5 V
- Low current consumption
- Few external components
- On-chip baseband filter
- LO switch and TX preamplifier
- Ramp-signal generator for power amplifier

Block Diagram

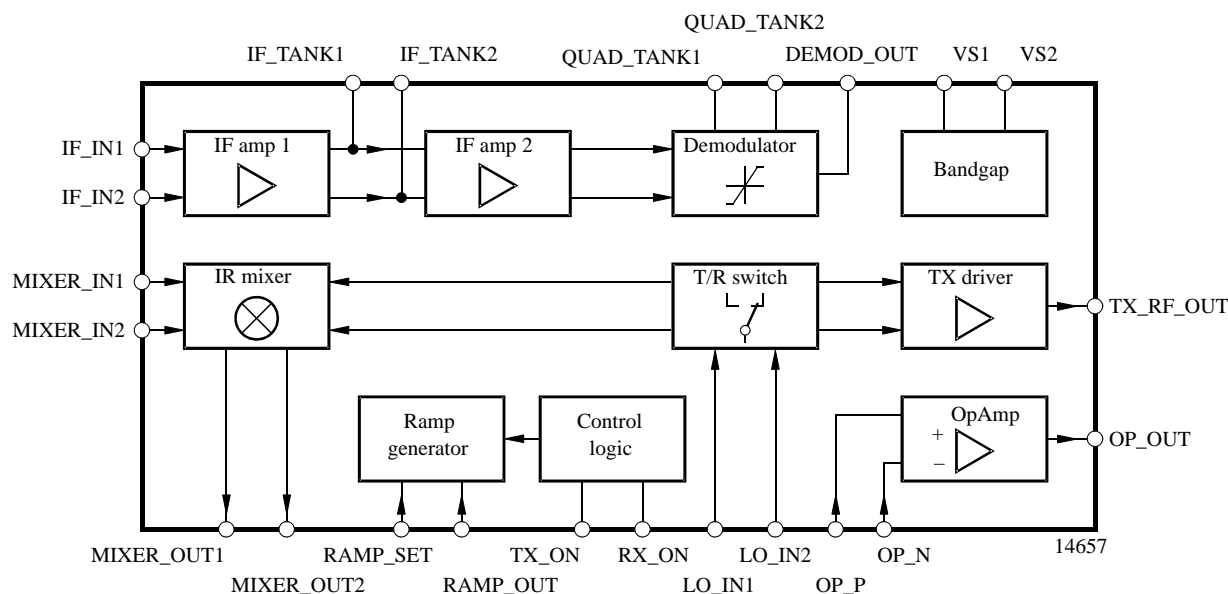


Figure 1. Block diagram

Ordering Information

Extended Type Number	Package	Remarks
U2761B	SSO28	

Pin Description

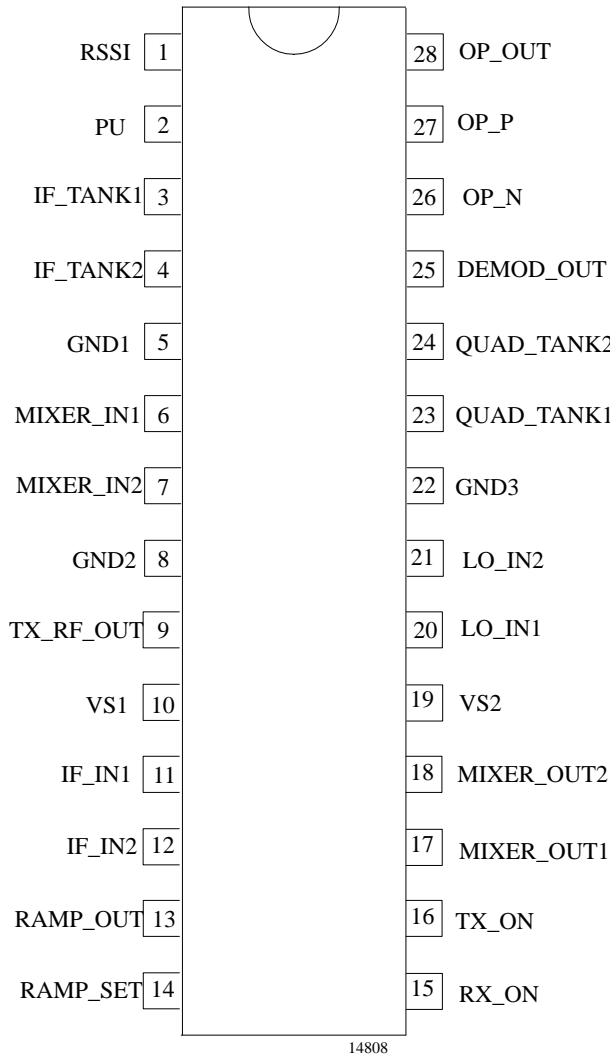


Figure 2. Pinning

Pin	Symbol	Function
1	RSSI	Received signal strength indicator output
2	PU	Hardware power-up input
3	IF_TANK1	IF tank circuit Pin 1
4	IF_TANK2	IF tank circuit Pin 2
5	GND1	Ground
6	MIXER_IN1	Mixer RF differential input 1
7	MIXER_IN2	Mixer RF differential input 2
8	GND2	Ground
9	TX_RF_OUT	Output of TX driver amplifier
10	VS1	Supply voltage input 1
11	IF_IN1	IF amplifier differential input 1
12	IF_IN2	IF amplifier differential input 2
13	RAMP_OUT	Ramp-signal output for PA
14	RAMP_SET	Slew-rate setting of ramp signal
15	RX_ON	RX control input
16	TX_ON	TX control input
17	MIXER_OUT1	Mixer IF differential output 1
18	MIXER_OUT2	Mixer IF differential output 2
19	VS2	Supply voltage input 2
20	LO_IN1	Local oscillator input 1
21	LO_IN2	Local oscillator input 2
22	GND3	Ground
23	QUAD_TANK1	Quadrature tank circuit 1
24	QUAD_TANK2	Quadrature tank circuit 2
25	DEMOD_OUT	Output of demodulator
26	OP_N	OP – Input inverting
27	OP_P	OP – Input non-inverting
28	OP_OUT	OP – Output

Absolute Maximum Ratings

All voltages are referred to GND (Pins 5, 8 and 22)

Parameters	Symbol	Value	Unit
Supply voltage Pins 10 and 19	V_S	6	V
Junction temperature	T_j	150	°C
Storage temperature	T_{stg}	-40 to +125	°C

Thermal Resistance

Parameters	Symbol	Value	Unit
Junction ambient	R_{thJA}	130	K/W

Operating Range

All voltages are referred to GND (Pins 5, 8 and 22)

Parameters	Symbol	Min.	Typ.	Max.	Unit
Supply voltage Pins 10 and 19	V_S	2.7	3.0	5.5	V
Ambient temperature	T_{amb}	-25	+25	+85	°C

Electrical Characteristics

Test conditions: $V_S = 3.0$ V, $T_{amb} = 25$ °C, unless otherwise specified

Parameters	Test Conditions / Pins	Symbol	Min.	Typ.	Max.	Unit
Power supply						
Total supply current	TX	I_S		30		mA
	RX			50		mA
	RX (RSSI only)			47		mA
	Standby, PU = GND			1	10	µA
IR mixer Pins 6, 7, 17 and 18						
Image-rejection ratio	Pins 17 and 18	IRR		20		dB
DSB noise figure	Pins 17 and 18	NFDSB= NFSSB		10		dB
Conversion gain	$R_{load} = 200 \Omega$	G_{conv}		12		dB
Output interception point	Pins 17 and 18	OIP3		10		dBm
Input impedance	Pins 6 and 7	Z_{in}		50		Ω
Input matching	Pins 6 and 7	V_{SWR}_{in}		<2:1		
LO switch and TX driver Pin 9, 20 and 21						
Power gain (high)	@ $P_{in} = -40$ dBm	G_p		30		dB
Input impedance	Pin 20 or Pin 21 to GND	Z_{in}		50		Ω
Input matching	Pins 20 and 21	V_{SWR}_{in}		<2:1		
Isolation LO-TX	RX mode: LO Pin 20 or Pin 21 to Pin 9	Isol		37		dB
Output impedance	Pin 9	Z_{out}		100		Ω
Maximum output power	Pin 9	P_{max}		3		dBm
Gain compression	@ TX_RF_OUT Pin 9	P_{1dB}		1		dBm
Output interception point	Pin 9	OIP3		10		dBm

Electrical Characteristics (continued)

Test conditions: $V_S = 3.0\text{ V}$, $T_{\text{amb}} = 25^\circ\text{C}$, unless otherwise specified

Parameters	Test Conditions / Pins	Symbol	Min.	Typ.	Max.	Unit
IF amplifier						
Pins 3, 4, 11 and 12						
Input impedance	Pins 11 and 12	Z_{in}	200		400	Ω
Lower cut-off frequency		$f_{\text{L}3\text{dB}}$		90		MHz
Upper cut-off frequency		$f_{\text{U}3\text{dB}}$		130		MHz
Power gain		G_p		85		dB
Bandwidth of external tank circuit	Pins 3 and 4	$\text{BW}_{3\text{dB}}$		10		MHz
Noise figure		NF		9		dB
RSSI						
Pins 1, 6 and 7						
RSSI sensitivity	At IF_IN1, IF_IN2	P_{min}		20		$\text{dB}\mu\text{V}$
RSSI compression	Pins 6 and 7	P_{max}		100		$\text{dB}\mu\text{V}$
RSSI dynamic range		DR		80		dB
RSSI resolution	Slope of the RSSI has to be steady	Acc		± 2		dB
RSSI rise time	$P_{\text{in}} = 30\text{ dB}\mu\text{V}$ to $100\text{ dB}\mu\text{V}$ Pin 1	t_r		1		μs
RSSI fall time	$P_{\text{in}} = 100\text{ dB}\mu\text{V}$ to $30\text{ dB}\mu\text{V}$ Pin 1	t_f		1		μs
Quiescent output current	@ $P_{\text{in}} < 20\text{ dB}\mu\text{V}$ at IF_IN1, IF_IN2 Pin 1	I_{out}		30		μA
Max. output current	@ $P_{\text{in}} = 100\text{ dB}\mu\text{V}$ at IF_IN1, IF_IN2 Pin 1	I_{out}		150		μA
FM demodulator						
Pins 23, 24 and 25						
Co-channel rejection ratio	@ $P_{\text{in}} = -75\text{ dBm}$ at IR-mixer input	CCRR		10		dB
Sensitivity	Quality factor of external tank circuit approx. 20	S		0.5		V/MHz
Amplitude of recovered signal	Nominal deviation of signal $\pm 288\text{ kHz}$	A		288		mV_{SS}
Output-voltage DC range	Pin 25	FMout_{DC}	0.4		$V_S - 0.4$	V
Output impedance	Pin 25	Z_{out}		13		$\text{k}\Omega$
AM rejection ratio	Pin 25	AMRR		tbd		dB
OpAmp						
Pins 26, 27 and 28						
Power gain bandwidth		PGBW		10		MHz
Excess phase	$R_{\text{load}} = 1\text{ k}\Omega$, $C_{\text{load}} = 15\text{ pF}$	d		80		$^\circ$
Input offset voltage	Pins 26 and 27	V_{offs}		± 1		mV
Open loop gain		g		70		dB
Output voltage range	Pin 28	V_{out}	0.3		$V_S - 0.3$	V
Common mode input voltage	Pins 26 and 27	V_{in}	0.3		$V_S - 0.3$	V
Common mode rejection ratio	Pin 28	CMRR		tbd		dB
Total harmonic distortion	Pin 28	THD		tbd		%

Electrical Characteristics (continued)

Test conditions: $V_S = 3.0\text{ V}$, $T_{amb} = 25^\circ\text{C}$, unless otherwise specified

Parameters	Test Conditions / Pins	Symbol	Min.	Typ.	Max.	Unit
Ramp generator Pins 13 and 14						
Min. output voltage	Accord. to PA RAMP input	V_{min}		0.2		V
Max. output voltage	Accord. to PA RAMP input	V_{max}		1.95		V
Rise time	$C_{RAMP} = 270\text{ pF}$ at Pin 14	t_r		5		μs
Fall time	$C_{RAMP} = 270\text{ pF}$ at Pin 14	t_f		5		μs
Logic input levels (RX_ON, TX_ON) Pins 15 and 16						
High input level	= '1'	V_{iH}	1.5			V
Low input level	= '0'	V_{iL}			0.5	V
High input current	= '1'	I_{iH}	-5		5	μA
Low input current	= '0'	I_{iL}	-5		5	μA
Power / standby Pin 2						
Power-up high input level	PU = '1'	V_{PU}	2.0			V
Standby low input level	PU = '0'	$V_{PU,OFF}$			0.7	V
Power-up high input current	PU = '1' $V_{PU} = 3\text{ V}$, $V_{PU} = 5.5\text{ V}$	I_{PU}	20 60	30 80	40 100	μA
Standby low input current	PU = '0' $V_{PU} = 0\text{ V}$, $V_{PU} = 0.5\text{ V}$	$I_{PU,OFF}$			0.1 1	μA
Settling time $V_S = 0 \rightarrow$ active operation	Switched $V_S = 0$ to $V_S = 3\text{ V}$	t_{soa}		< 10		μs
Settling time standby \rightarrow active operation	Switched PU = 0 to PU = 1	t_{ssa}		< 10		μs
Settling time active operation \rightarrow standby	Switched $V_S = 3\text{ V}$ to $V_S = 0$	t_{sas}		< 2		μs

Active Blocks Corresponding to RX / TX

	Logic			Active Parts								
	PU	RX_ON	TX_ON	OP	Demo- dulator	IF amplifiers	IR mixer	RSSI	RX switch	TX switch	TX driver	Ramp generator
TX mode	1	0	1	off	off	off	off	off	off	on	on	on
RX mode	1	1	0	on	on	on	on	on	on	off	off	off
RSSI	1	1	1	off	off	on	on	on	on	off	off	off
Standby	0	X	X	off	off	off	off	off	off	off	off	off
	1	0	0	off	off	off	off	off	off	on	off	off

Typical Application Circuit

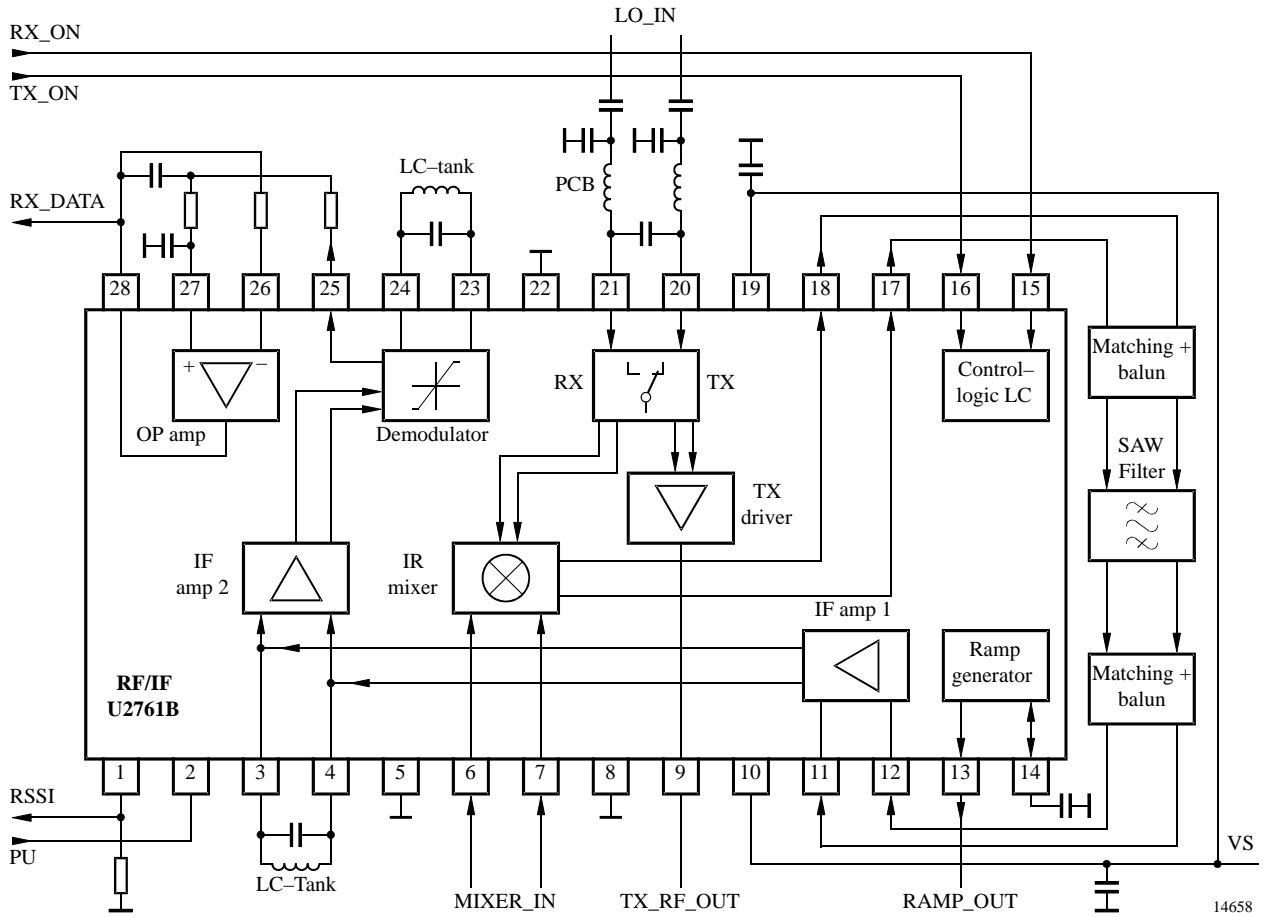


Figure 3. Typical application circuit

Recommended Baseband Filter ($f_{3dB} \approx 570$ kHz)

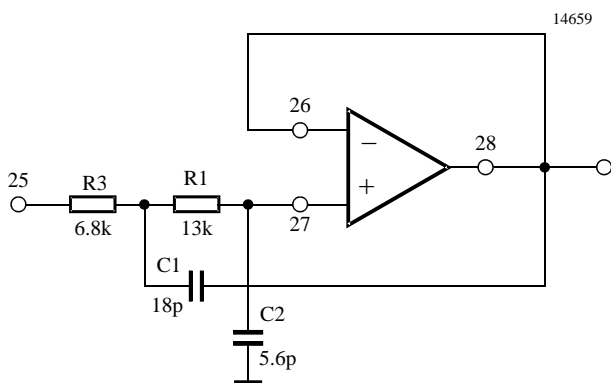


Figure 4. Recommended baseband filter

Input / Output Interface Circuits

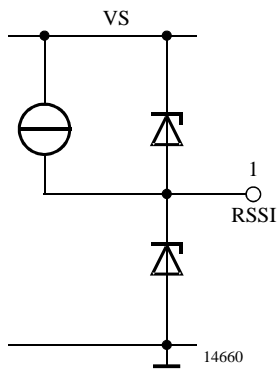


Figure 5.

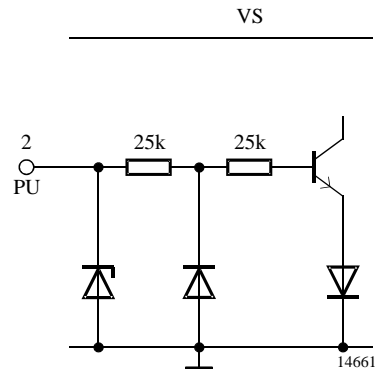


Figure 8.

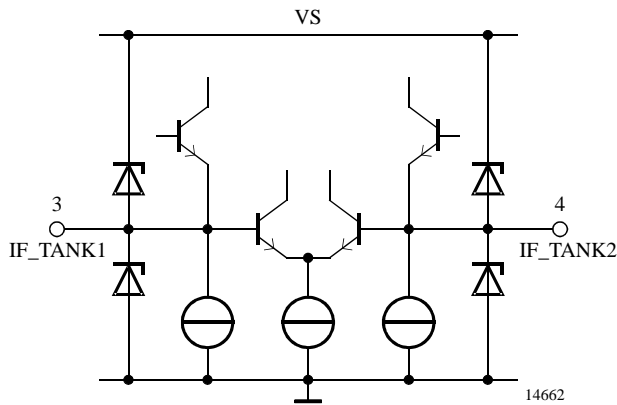


Figure 6.

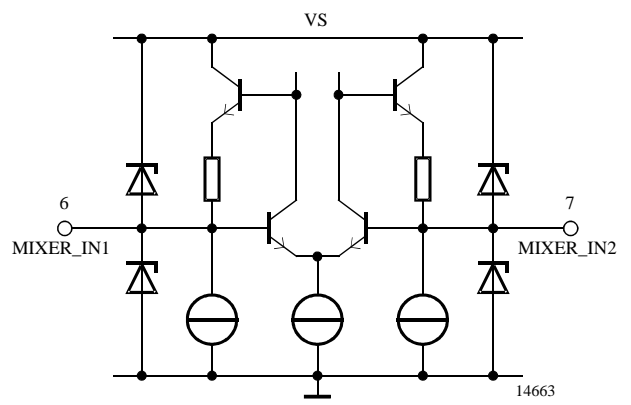


Figure 9.

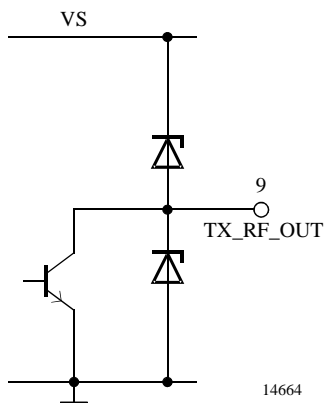


Figure 7.

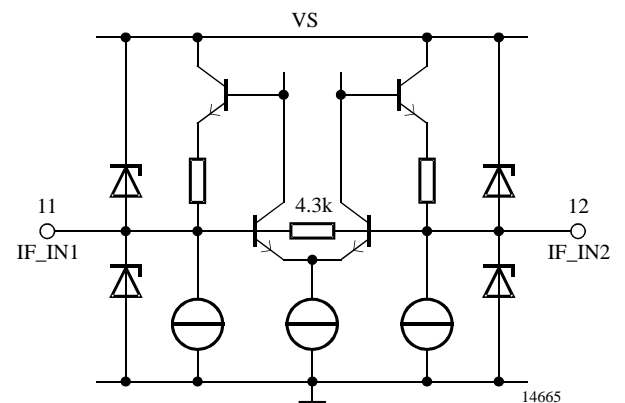


Figure 10.

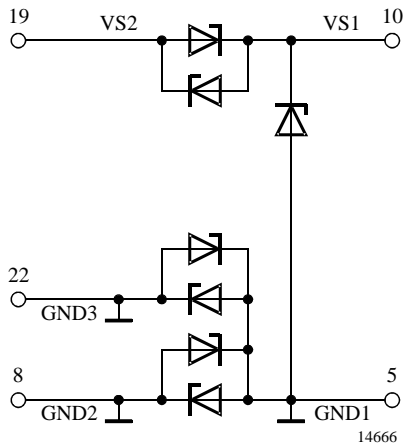


Figure 11.

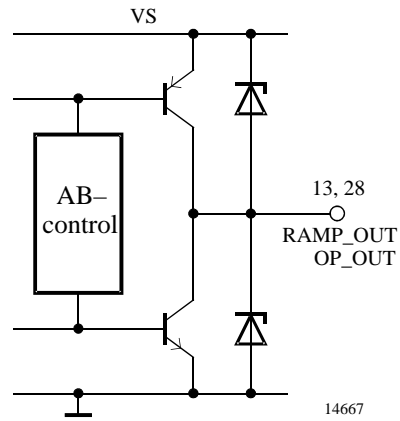


Figure 14.

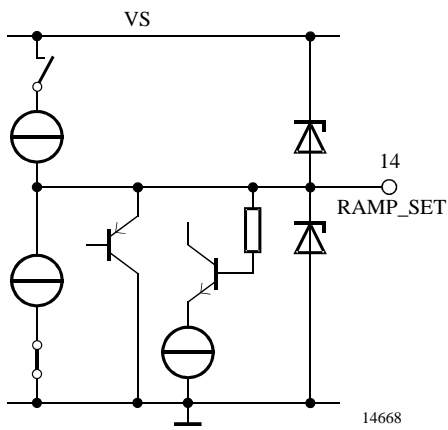


Figure 12.

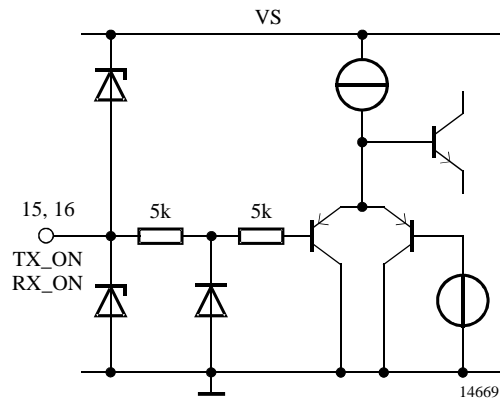


Figure 15.

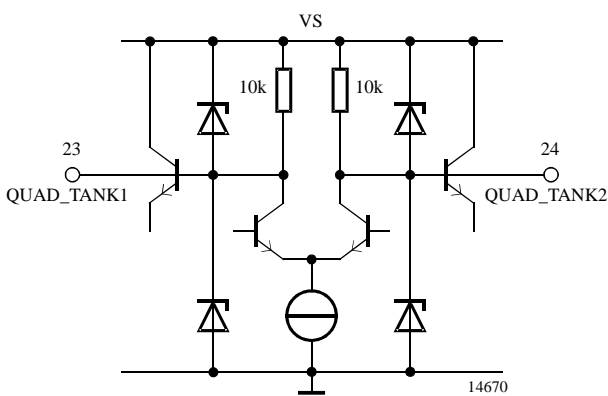


Figure 13.

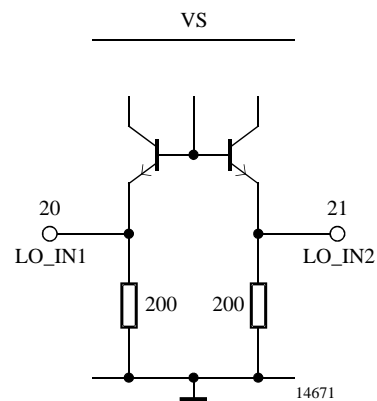


Figure 16.

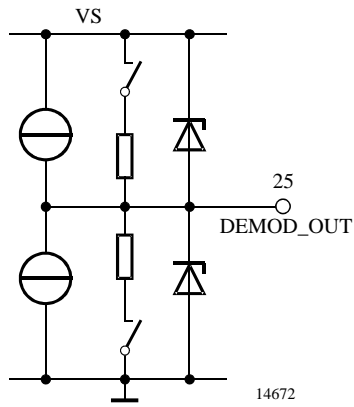


Figure 17.

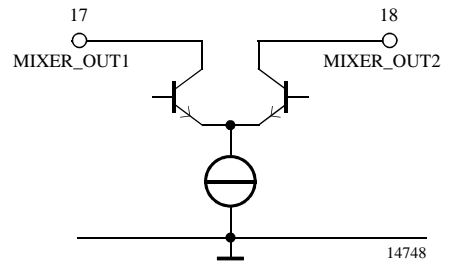


Figure 19.

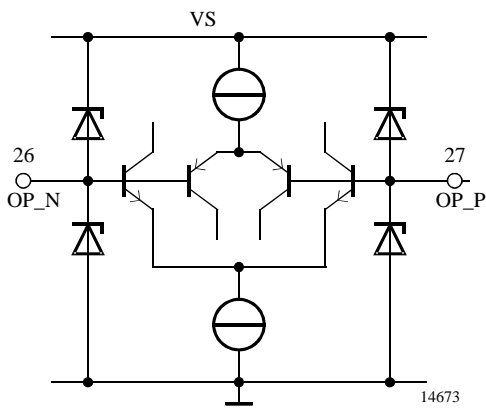
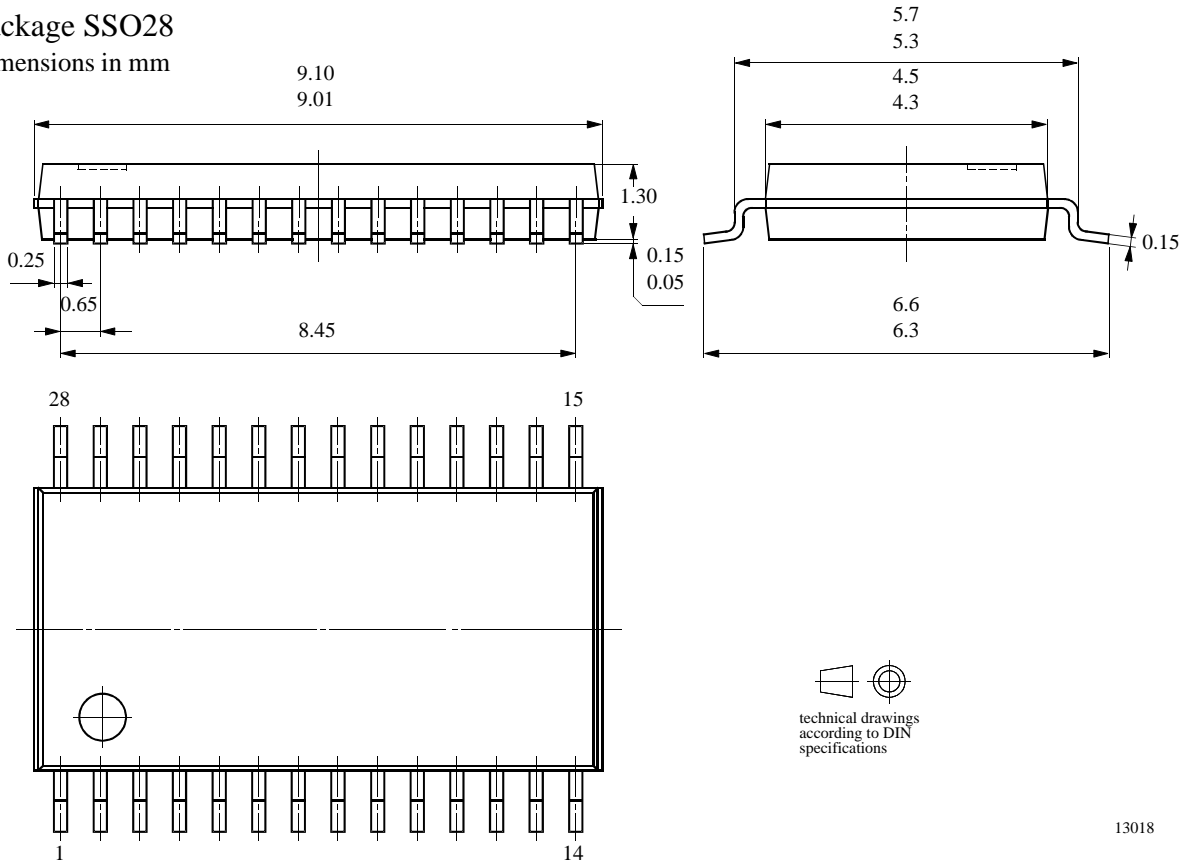


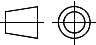
Figure 18.

Package Information

Package SSO28

Dimensions in mm




technical drawings
according to DIN
specifications

13018

Ozone Depleting Substances Policy Statement

It is the policy of **TEMIC Semiconductor GmbH** to

1. Meet all present and future national and international statutory requirements.
2. Regularly and continuously improve the performance of our products, processes, distribution and operating systems with respect to their impact on the health and safety of our employees and the public, as well as their impact on the environment.

It is particular concern to control or eliminate releases of those substances into the atmosphere which are known as ozone depleting substances (ODSs).

The Montreal Protocol (1987) and its London Amendments (1990) intend to severely restrict the use of ODSs and forbid their use within the next ten years. Various national and international initiatives are pressing for an earlier ban on these substances.

TEMIC Semiconductor GmbH semiconductor division has been able to use its policy of continuous improvements to eliminate the use of ODSs listed in the following documents.

1. Annex A, B and list of transitional substances of the Montreal Protocol and the London Amendments respectively
2. Class I and II ozone depleting substances in the Clean Air Act Amendments of 1990 by the Environmental Protection Agency (EPA) in the USA
3. Council Decision 88/540/EEC and 91/690/EEC Annex A, B and C (transitional substances) respectively.

TEMIC Semiconductor GmbH can certify that our semiconductors are not manufactured with ozone depleting substances and do not contain such substances.

We reserve the right to make changes to improve technical design and may do so without further notice.

Parameters can vary in different applications. All operating parameters must be validated for each customer application by the customer. Should the buyer use TEMIC products for any unintended or unauthorized application, the buyer shall indemnify TEMIC against all claims, costs, damages, and expenses, arising out of, directly or indirectly, any claim of personal damage, injury or death associated with such unintended or unauthorized use.

TEMIC Semiconductor GmbH, P.O.B. 3535, D-74025 Heilbronn, Germany
Telephone: 49 (0)7131 67 2831, Fax number: 49 (0)7131 67 2423

This datasheet has been download from:

www.datasheetcatalog.com

Datasheets for electronics components.