

Fast Logic Surface Mounted Delay Line

SERIES: SMD-99F
TTL Interfaced



Features

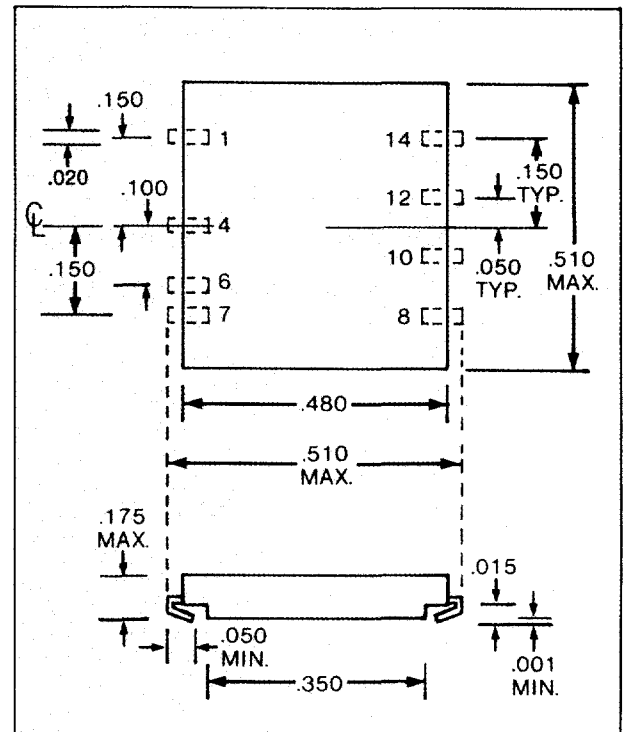
- Designed for surface mounting.
- Low profile .175 max. height.
- Completely interfaced for TTL.
- Up to 5 outputs.



Specifications:

- **Outputs:** 5, equally spaced.
- **Delay tolerance:** see table.
- **Rise-time:** 2 ns typ.
- **Minimum pulse width:** 40% of total delay.
- **Temperature range:** 0 to 70°C. (-55°C to + 125°C on request.)*
- **Temperature coefficient:** 100 PPM/°C.
- **Supply voltage:** 4.75 to 5.25 Vdc.
- **Supply current:**
 - I_{ccL}: 32 ma.
 - I_{ccH}: 7 ma.
- **DC parameters:** See TTL-Fast Schottky Logic Table on Page 6.

*Add "M" after PART NO. Example: SMD-99F-5100M
Height is .225 max.



Part No.	Total Delay (ns)	Tap Delay (ns)
*SMD-99F-5004	4 ± 1	1 ± 0.5
*SMD-99F-5006	6 ± 1	1.5 ± 0.5
*SMD-99F-5008	8 ± 2	2 ± 1
*SMD-99F-5010	10 ± 2	2.5 ± 1
*SMD-99F-5012	12 ± 2	3 ± 1
*SMD-99F-5016	16 ± 2	4 ± 1.5
*SMD-99F-5020	20 ± 3	5 ± 2
SMD-99F-5025	25 ± 3	5 ± 2
SMD-99F-5030	30 ± 3	6 ± 2
SMD-99F-5035	35 ± 3	7 ± 2
SMD-99F-5040	40 ± 3	8 ± 2
SMD-99F-5045	45 ± 3	9 ± 3
SMD-99F-5050	50 ± 3	10 ± 3

*Time delay measured with respect to 1st tap.
3.5 ns ± 1 ns inherent delay.

