

MICRO SWITCH
 FREEPORT ILLINOIS U.S.A.
 A DIVISION OF HONEYWELL
 FED. MFG. CODE 91929

SWITCH-TOGGLE

CATALOG LISTING
2TL256 SERIES

CHART 2

THIS DRAWING COVERS A PROPRIETARY ITEM AND IS THE PROPERTY OF MICRO SWITCH, A DIVISION OF HONEYWELL. THIS DRAWING IS NOT TO BE COPIED OR USED WITHOUT THE APPROVAL OF MICRO SWITCH.

CATALOG LISTING
 △

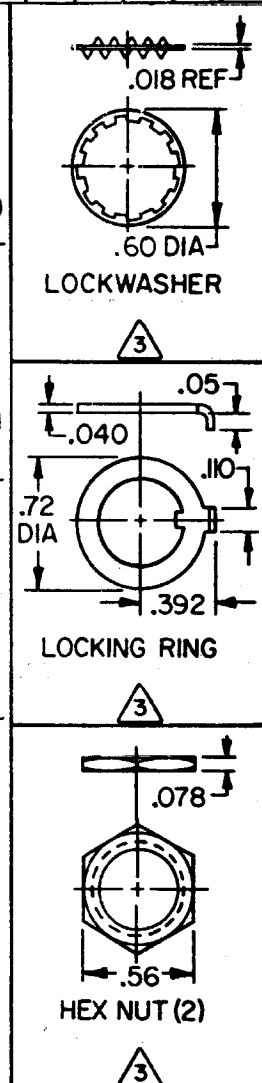
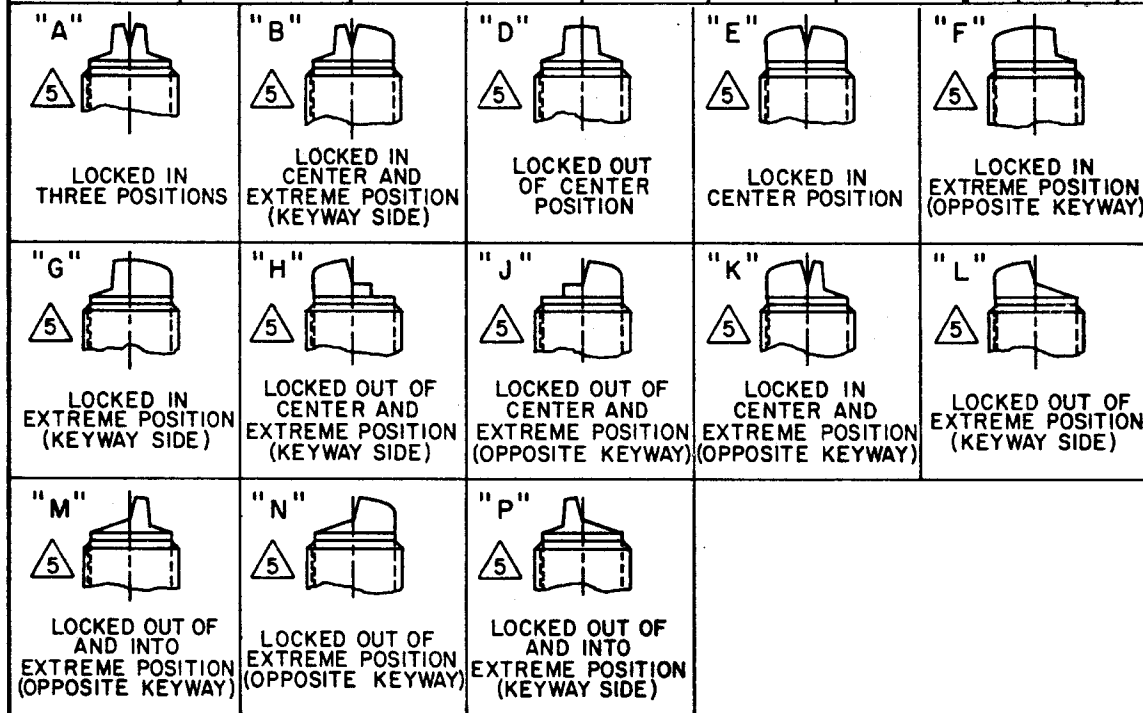
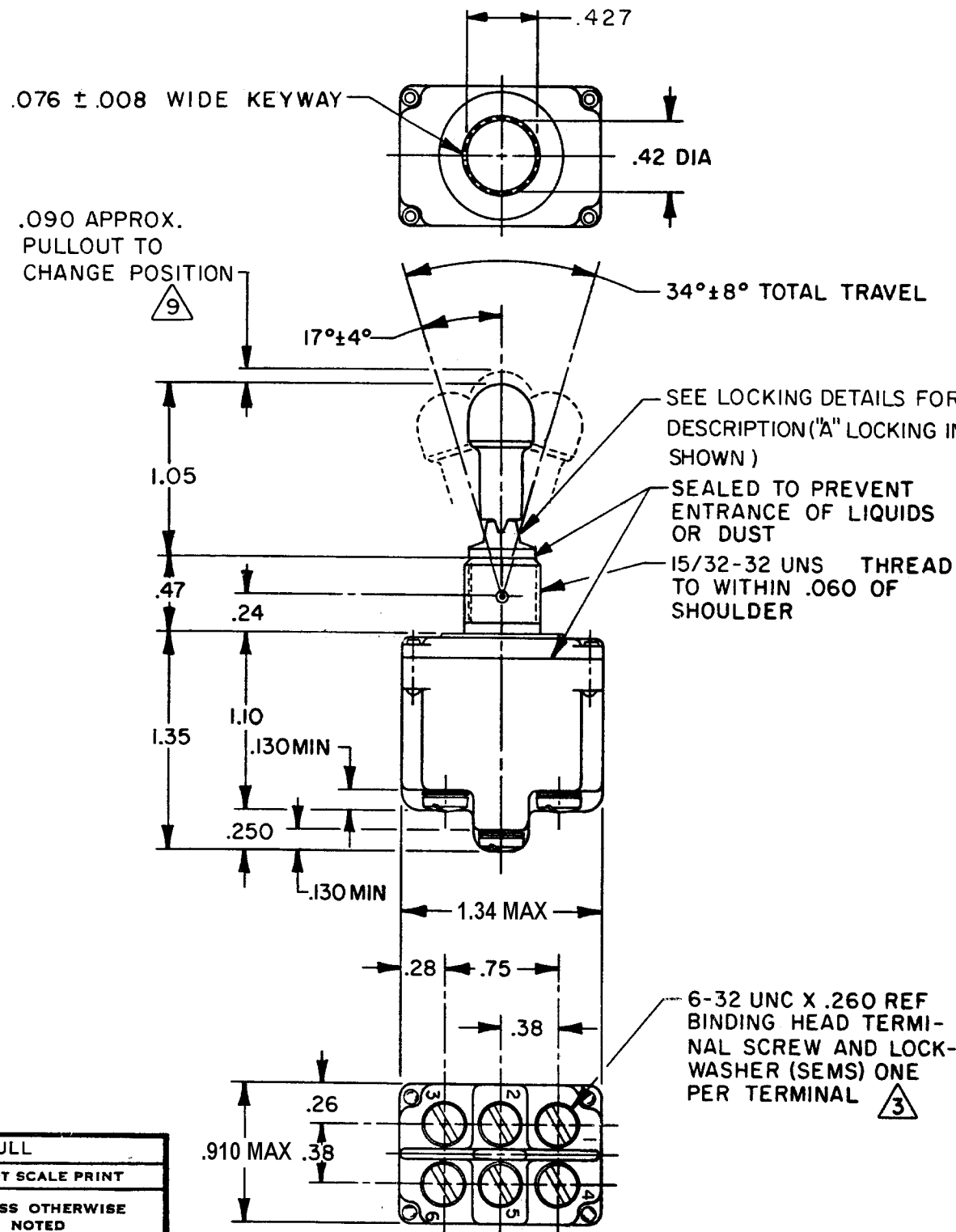
AVAILABLE LOCKING COMBINATIONS FOR CONFIGURATION SEE LETTERING DETAILS

△ WITH TOGGLE LEVER IN
 KEYWAY SIDE (1-2,4-5) CENTER (1-2,4-5) OPPOSITE KEYWAY (2-3,5-6)

CURRENT CAPACITY (AMPS)
 RESISTIVE LOAD DC VOLTS AC VOLTS LAMP LOAD 28 VDC 125 VAC IND. LOAD 28 VDC 125 VAC

CATALOG LISTING	AVAILABLE LOCKING COMBINATIONS	KEYWAY SIDE (1-2,4-5)	CENTER (1-2,4-5)	OPPOSITE KEYWAY (2-3,5-6)	CURRENT CAPACITY (AMPS)				
					28 DC VOLTS	125 AC VOLTS	28 VDC	125 VAC	
2TL256-1	AB,DE,FG,H,J,K,L,M,NP	ON	OFF	ON					
2TL256-2	D, F, G	OFF	NONE	ON					
2TL256-3	D, F, G	ON	NONE	ON	20	.75	.5	15	6
2TL256-2I	E, F, K, M	NONE	OFF	ON					
2TL256-3I	E, F, K, M	NONE	ON	ON					
2TL256-4	F	MOM OFF	NONE	ON					
2TL256-5	E, F, K, L, M, N	MOM ON	OFF	ON					
2TL256-6	F	MOM ON	NONE	OFF					
2TL256-7	E, L, N	MOM ON	OFF	MOM ON	18	.75	.5	11	6
2TL256-8	F	MOM ON	NONE	ON					
2TL256-5I	E	NONE	ON	MOM ON					
2TL256-6I	E	MOM ON	OFF	NONE					

2TL256 SERIES CHART 2
 DRAWING NUMBER 16
 ISSUE 16
 REVISIONS
 A PR 8980 04 FEB 04
 D J S 11 JUN 80
 B CO49070 04 FEB 04
 G R T 16 MAY 81
 C CO-50486
 KAG 13 NOV 81
 D CO-59379
 D A W 16 MAY 86
 E CO74798
 G J W 23 APR 93
 F CO-78047
 S A D 23 AUG 94
 G 0003086
 RS 04 FEB 04
 FO-32851-A
 DRAWN D J S 11 JUN 80
 CHECK D J S 11 JUN 80
 MDM
 CHECK 04 FEB 04
 CHECK 15 JAN 80
 REPLACES PR-8980



- NOTES
- SWITCHES ARE CAPABLE OF WITHSTANDING A TEMPERATURE OF 160°F CONTINUOUSLY AT FULL RATED LOAD
 - CIRCUIT DESIGNATION AND MICRO SWITCH CATALOG LISTING MARKED ON SIDE OF SWITCH FURNISHED UNASSEMBLED
 - FOR TERMINAL COVER SEE MICRO CATALOG LISTING 5PA8
 - KEYWAY SHOWN ON LEFT SIDE SUFFIX LETTER MUST BE ADDED FOR DESIRED TYPE OF TOGGLE LOCKING. SEE CHART FOR AVAILABLE LOCKING COMBINATIONS
 - APPLIES ONLY TO "ON" AND "MOMENTARY ON" POSITIONS SWITCHES WILL REMAIN FUNCTIONAL AFTER BEING SUBJECTED TO THE HIGH IMPACT MECHANICAL SHOCK REQUIREMENTS OF MIL-S-901 GRADE A, SUBASSEMBLY CLASS 1, LIGHTWEIGHT, TYPE C
 - PULLOUT FORCE IS 5.5 TO 8 POUNDS
 - THESE SWITCHES ARE SIMILAR TO SWITCHES QUALIFIED UNDER MIL-S-3950

SCALE FULL
 DO NOT SCALE PRINT
 UNLESS OTHERWISE NOTED
 DIMENSIONS ARE IN INCHES
TOLERANCES ARE:
 ONE PLACE (.01) ± .030
 TWO PLACE (.00) ± .018
 THREE PLACE (.000) ± .005
 ANGLES
 WEIGHT .15 LB APPROX