

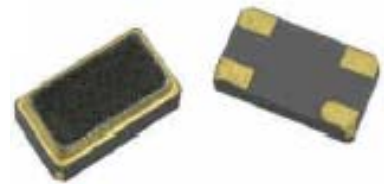
Quartz Crystal

Holder T, SEAM SEALED CERAMIC 6 X 3.5MM Surface Mount Package



FEATURE

- Ultra thin, thickness 1.0mm
- Leadless type
- High precision characteristic covering up to high frequency range
- Automatic mounting
- Embossed taping specification
- Suitable for solder reflow
- Lead Free & RoHS Compliant



ELECTRICAL SPECIFICATIONS

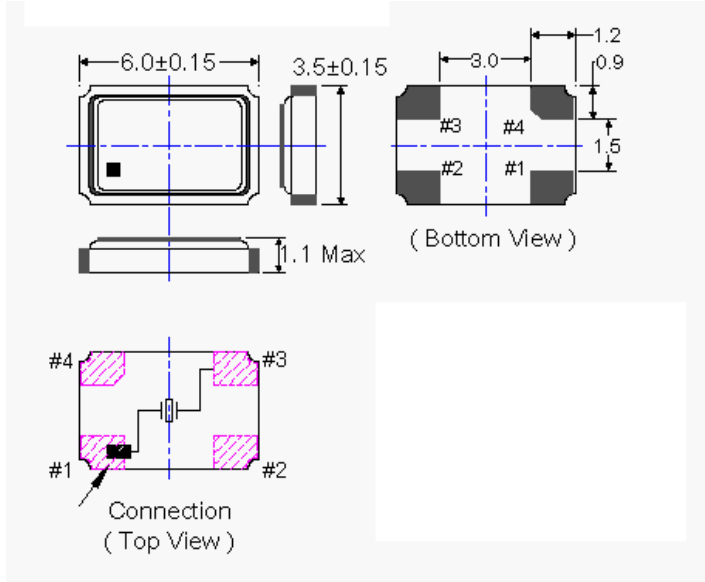
Output Frequency Range	6 MHz ~ 100 MHz
Mode	See table 1
Frequency Tolerance (at 25°C)	±10ppm, ±20ppm, ±30ppm, or specify
Frequency Stability Over Operating Temperature Characteristics	±10ppm, ±20ppm, ±30ppm, or specify
Storage Temperature Range	-55 °C to +125 °C
Operating Temperature Range	-10 °C to + 60 °C -20 °C to + 70 °C or specify
Shunt Capacitance (C ₀)	3.5 pF Max
Driver Level (Typical)	100µW
Load Capacitance(C _L)	Series, 16pF, 20pF, 30pF, 32pF, or specify
Equivalent Series Resistance ESR (Ω)	See table 1
Aging @25°C 1 st year (Max)	±3ppm, ±5ppm/year
Shock Resistance	Drop test of 3 times on 2mm stainless plate from 75cm height

REMARK: SPECIFICATIONS SUBJECT TO CHANGE WITHOUT PRIOR NOTICE. PLEASE CONFIRM WITH OUR SALES ENGINEER.

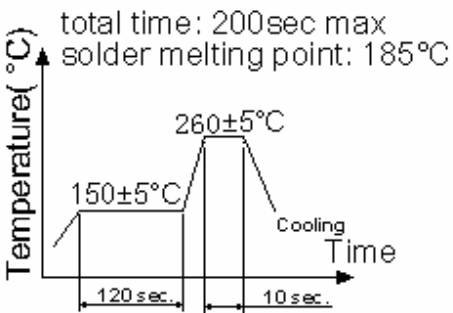
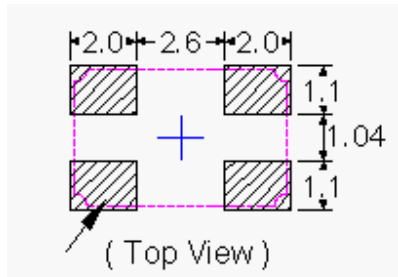
Frequency and Equivalent Series Resistant

Frequency Range	E.S.R. (Ω)	Mode
6.000 MHz ~ 10.000 MHz	70 Max	Fundamental / AT
10.000 MHz ~ 40.000 MHz	40 Max	Fundamental / AT
30.000 MHz ~ 100.000 MHz	60 Max	Third Overtone / AT

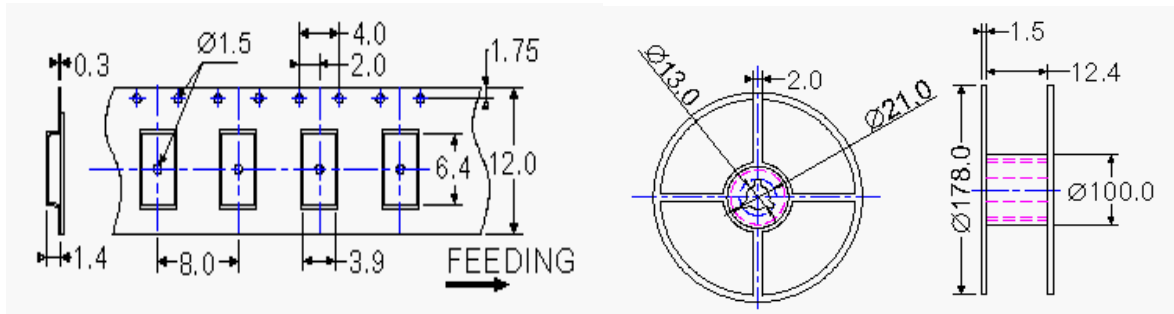
Dimension



Reference Land Pattern



PACKING





CRYSTAL PART NUMBER SYSTEM

HOLDER DESCRIPTION	CODE
CERAMIC 6.0X3.5mm 4-pad SMT	T

PART NUMBER EXPLANATION - HOW TO ORDER	
D3T5795-17305EFB-G	3,5795MHZ 17PF 30PPM/50PPM FUNDAMENTAL BULK (ROHS COMPLIANT)
D	DB LECTRO Inc.
3T5795	FIRST FIVE NUMBERS OF THE FREQUENCY WITH HOLDER CODE AT DECIMAL POINT
-	"-" REGULAR PACKAGE "I" ISOLATED WITH WASHER "V" VINYL SLEEVE "C" CUT LEAD "T" THIRD LEG GROUND
17	LOAD CAPACITANCE (17PF)
30	FREQUENCY TOLERANCE (30PPM)
5	FREQUENCY STABILITY AT OPERATING TEMPERATURE:
E	OPERATING TEMPERATURE RANGE "E" EXTENDED TEMP. -40°C+85°C "Blank" TYPICAL TEMP. -20°C+70°C "A" STANDARD TEMP. -10°C+60°C
F	"F" FUNDAMENTAL "T" THIRD OVERTONE "5" FIFTH OVERTONE "7" SEVENTH OVERTONE
B	"B" BULK "T" TAPE / REEL "G" TAPE / REEL / GULLWING "C" TAPE / REEL / CRIMPED LEADS
G	ROHS COMPLIANT

0=5PPM
1=10PPM
2=20PPM
3=30PPM
5=50PPM (TYPICAL)
6=100PPM