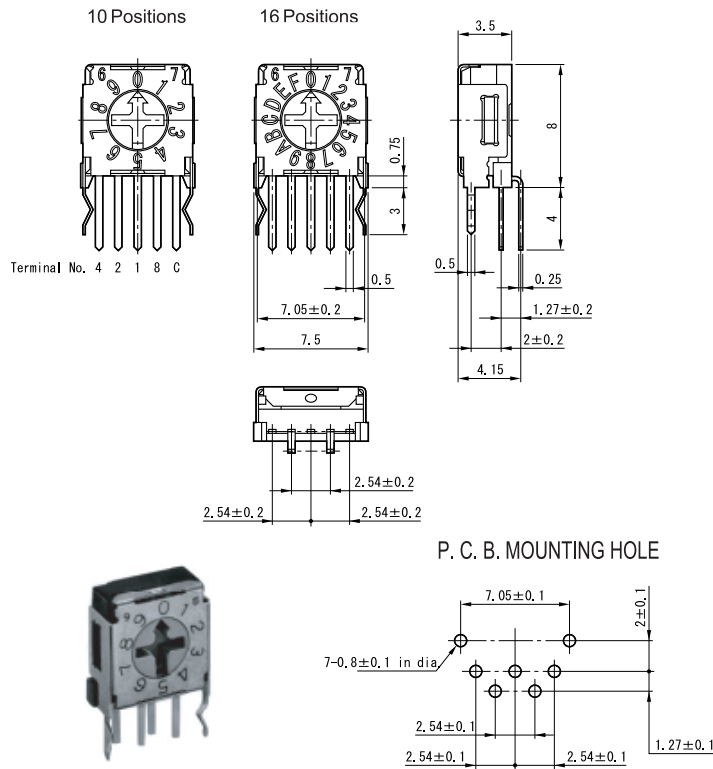


# ROTARY DIP SWITCHES 45JRseries - Horizontal / Through-hole Type

**WITH KINKED TERMINAL TYPE**  
(For Fixing to the P. C. Board)



## TYPES

No. of Positions	Dial	Part Number	Code Truth Table (See code truth tables)	Code No.	Rotor Color
10	0 - 9	45JR02-E	Binary-Coded Decimal	02	Orange
		45JR12-E	Binary-Coded Decimal Complement	12	Yellowish green
16	0 - 9 A - F	45JR34-E	Binary-Coded Hexadecimal	34	Red
		45JR41-E	Binary-Coded Hexadecimal Complement	41	White