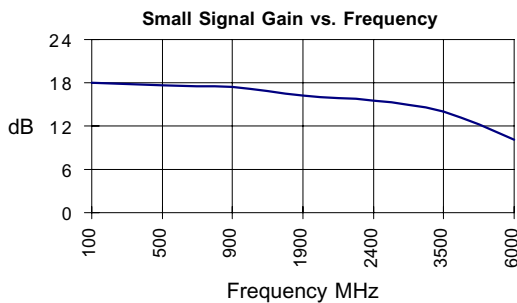


## Product Description

Stanford Microdevices' SGA-2363 is a high performance cascadeable 50-ohm amplifier designed for operation from a 2.7-volt supply. This RFIC uses the latest Silicon Germanium Heterostructure Bipolar Transistor (SiGe HBT) process featuring 1 micron emitters with  $F_T$  up to 50 GHz.

This circuit uses a darlington pair topology with resistive feedback for broadband performance as well as stability over its entire temperature range. Internally matched to 50 ohm impedance, the SGA-2363 requires only DC blocking and bypass capacitors for external components.



Preliminary

## SGA-2363

### DC-2800 MHz Silicon Germanium HBT Cascadeable Gain Block



### Product Features

- DC-2800 MHz Operation
- 2.7V Single Voltage Supply
- High Output Intercept: +20.0dBm typ. at 850 MHz
- Low Noise Figure: 2.9 dB typ. at 850 MHz

### Applications

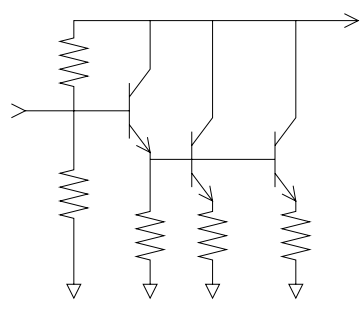
- Broadband Gain Blocks
- Cordless Phones
- IF/ RF Buffer Amplifier
- Drivers for CATV Amplifiers

Symbol	Parameters: Test Conditions: $Z_0 = 50 \text{ Ohms}$ , $I_d = 20 \text{ mA}$ , $T = 25^\circ\text{C}$		Units	Min.	Typ.	Max.
$P_{1dB}$	Output Power at 1dB Compression	$f = 850 \text{ MHz}$ $f = 1950 \text{ MHz}$	dBm dBm		8.2 7.2	
$S_{21}$	Small Signal Gain	$f = \text{DC} - 1000 \text{ MHz}$ $f = 1000 - 2000 \text{ MHz}$ $f = 2000 - 2800 \text{ MHz}$	dB dB dB	15.7	17.5 16.7 15.5	
$S_{12}$	Reverse Isolation	$f = \text{DC} - 1000 \text{ MHz}$ $f = 1000 - 2000 \text{ MHz}$ $f = 2000 - 2800 \text{ MHz}$	dB dB dB		20.9 21.3 21.2	
$S_{11}$	Input VSWR	$f = \text{DC} - 2000 \text{ MHz}$ $f = 2400 - 2800 \text{ MHz}$	-		1.4:1 1.5:1	
$S_{22}$	Output VSWR	$f = \text{DC} - 2000 \text{ MHz}$ $f = 2000 - 2800 \text{ MHz}$	-		1.3:1 1.2:1	
$IP_3$	Third Order Intercept Point Power out per Tone = -10 dBm	$f = 850 \text{ MHz}$ $f = 1950 \text{ MHz}$	dBm dBm		19.4 20.4	
NF	Noise Figure	$f = \text{DC} - 1000 \text{ MHz}$ $f = 1000 - 2400 \text{ MHz}$	dB dB		2.9 3.4	
$T_D$	Group Delay	$f = 1000 \text{ MHz}$	pS		107	
$V_D$	Device Voltage		V	2.4	2.7	3.0

The information provided herein is believed to be reliable at press time. Stanford Microdevices assumes no responsibility for inaccuracies or omissions. Stanford Microdevices assumes no responsibility for the use of this information, and all such information shall be entirely at the user's own risk. Prices and specifications are subject to change without notice. No patent rights or licenses to any of the circuits described herein are implied or granted to any third party. Stanford Microdevices does not authorize or warrant any Stanford Microdevices product for use in life-support devices and/or systems.  
Copyright 1999 Stanford Microdevices, Inc. All worldwide rights reserved.

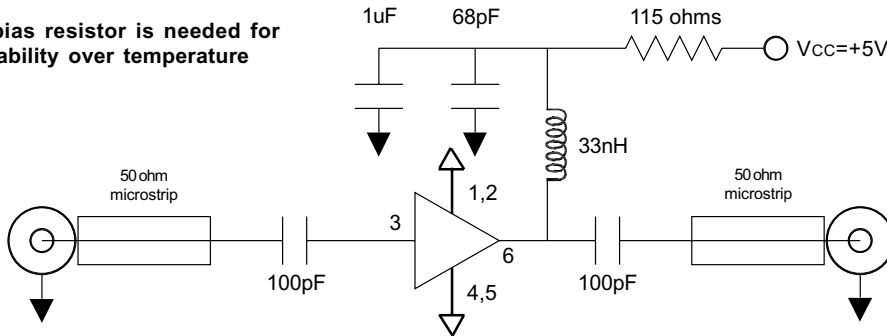
Parameter	Specification			Unit	Test Condition
	Min	Typ.	Max.		
<b>Bandwidth</b> Frequency Range	DC		2800	MHz	T= 25C
<b>Device Bias</b> Operating Voltage Operating Current		2.7 20		V mA	T= 25C
<b>500 MHz</b> Gain Noise Figure Output IP3 Output P1dB Input Return Loss Isolation		17.7 2.9 20.5 8.2 16.4 21.3		dB dB dBm dBm dB dB	T= 25C
<b>850 MHz</b> Gain Noise Figure Output IP3 Output P1dB Input Return Loss Isolation		17.4 2.9 19.4 8.2 15.7 21.3		dB dB dBm dBm dB dB	T= 25C
<b>1950 MHz</b> Gain Noise Figure Output IP3 Output P1dB Input Return Loss Isolation		16.1 3.3 20.4 7.2 13.3 21.6		dB dB dBm dBm dB dB	T= 25C
<b>2400 MHz</b> Gain Noise Figure Output IP3 Output P1dB Input Return Loss Isolation		15.6 3.6 19.2 6.8 12.3 21.6		dB dB dBm dBm dB dB	T= 25C

The information provided herein is believed to be reliable at press time. Stanford Microdevices assumes no responsibility for inaccuracies or omissions. Stanford Microdevices assumes no responsibility for the use of this information, and all such information shall be entirely at the user's own risk. Prices and specifications are subject to change without notice. No patent rights or licenses to any of the circuits described herein are implied or granted to any third party. Stanford Microdevices does not authorize or warrant any Stanford Microdevices product for use in life-support devices and/or systems. Copyright 1999 Stanford Microdevices, Inc. All worldwide rights reserved.

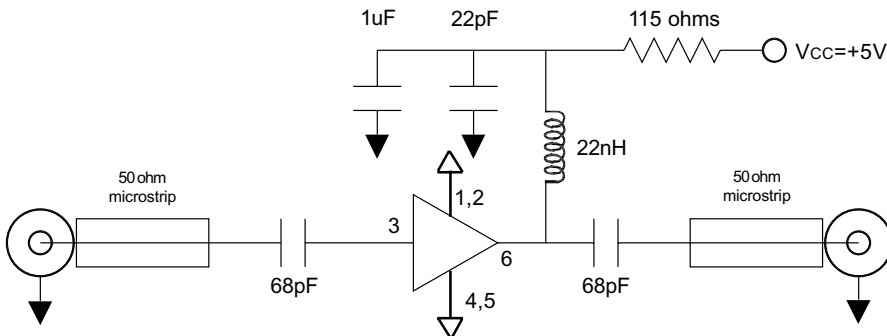
Pin #	Function	Description	Device Schematic
1	GND	Connection to ground. Use via holes for best performance to reduce lead inductance as close to ground leads as possible.	
2	GND	Sames as Pin 1	
3	RF IN	RF input pin. This pin requires the use of an external DC blocking capacitor chosen for the frequency of operation.	
4	GND	Sames as Pin 1	
5	GND	Sames as Pin 1	
6	RF OUT	RF output and bias pin. DC voltage is present on this pin, therefore a DC blocking capacitor is necessary for proper operation.	

**Application Schematic for +5V Operation at 900 MHz**

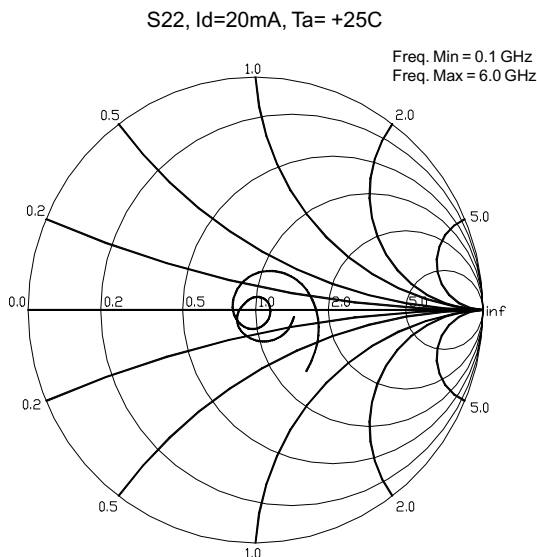
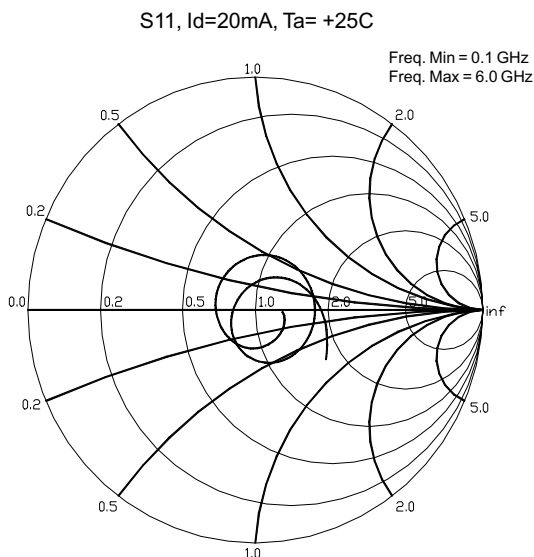
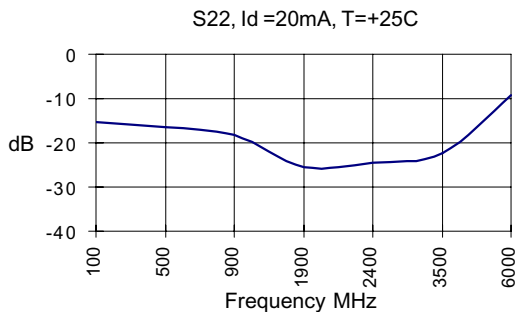
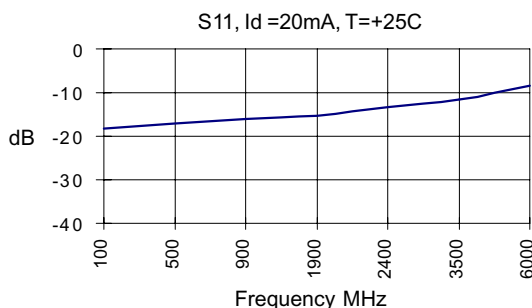
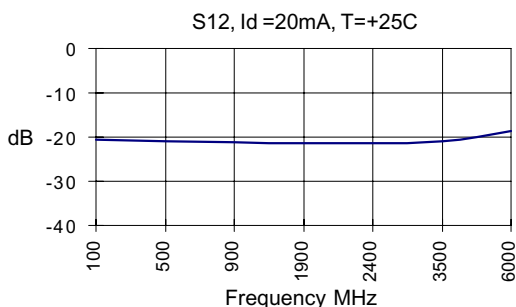
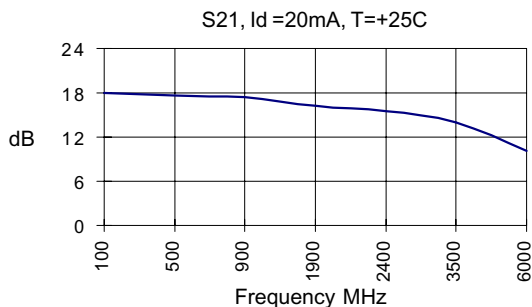
**Note: A bias resistor is needed for stability over temperature**



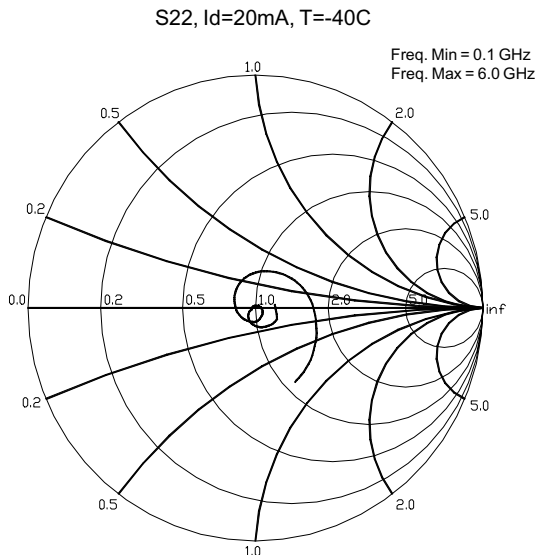
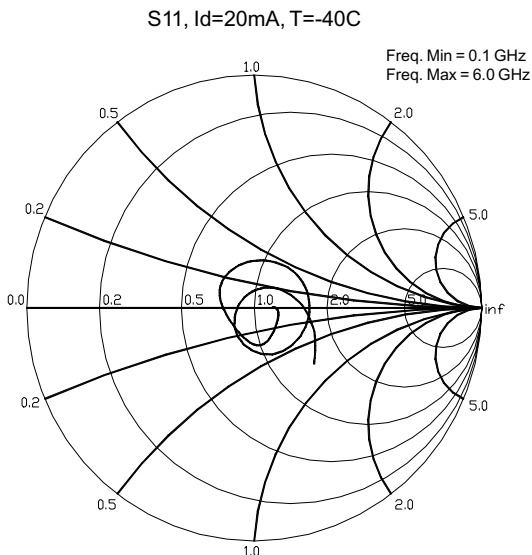
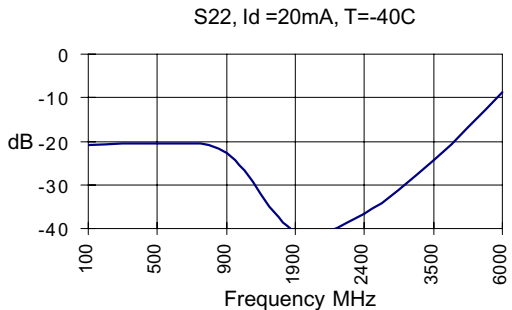
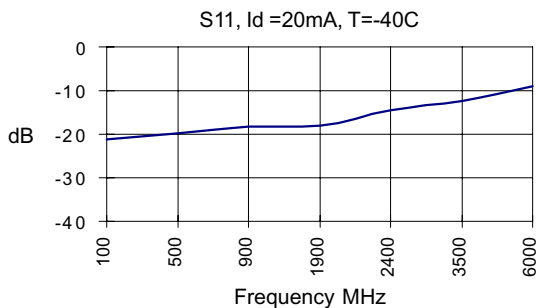
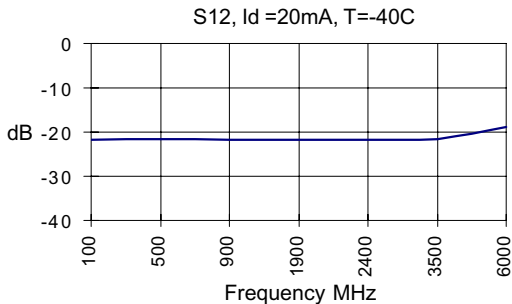
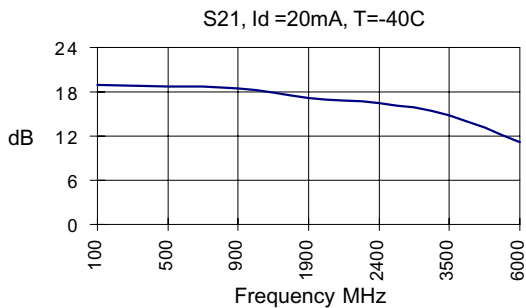
**Application Schematic for +5V Operation at 1900 MHz**



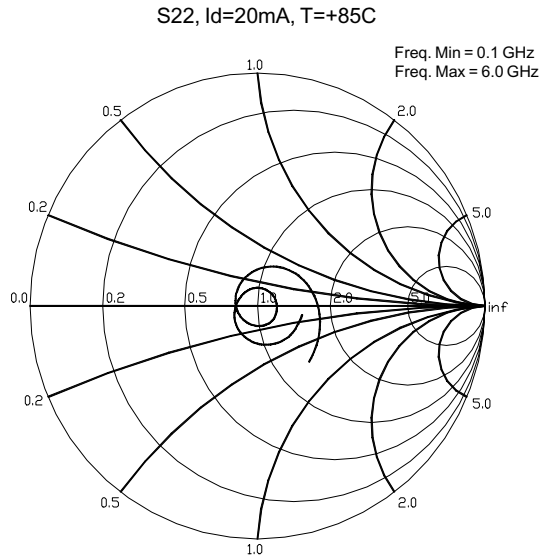
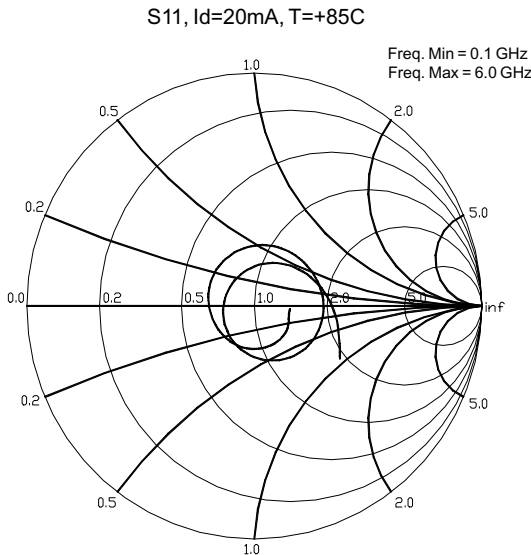
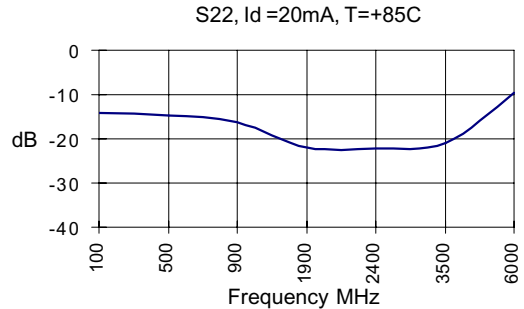
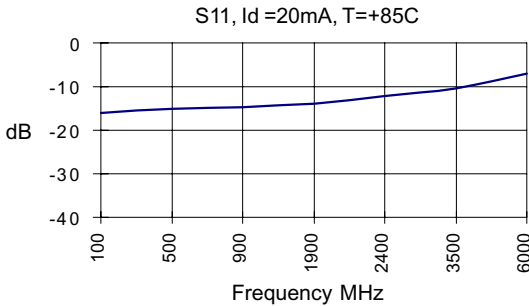
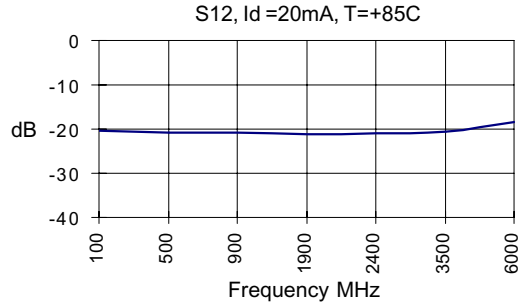
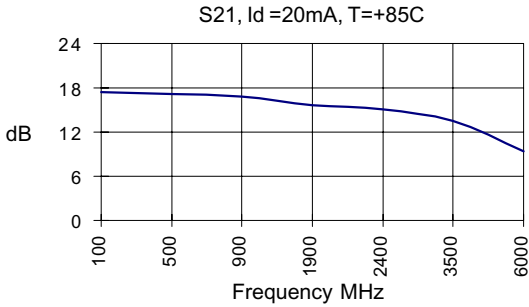
The information provided herein is believed to be reliable at press time. Stanford Microdevices assumes no responsibility for inaccuracies or omissions. Stanford Microdevices assumes no responsibility for the use of this information, and all such information shall be entirely at the user's own risk. Prices and specifications are subject to change without notice. No patent rights or licenses to any of the circuits described herein are implied or granted to any third party. Stanford Microdevices does not authorize or warrant any Stanford Microdevices product for use in life-support devices and/or systems. Copyright 1999 Stanford Microdevices, Inc. All worldwide rights reserved.



The information provided herein is believed to be reliable at press time. Stanford Microdevices assumes no responsibility for inaccuracies or omissions. Stanford Microdevices assumes no responsibility for the use of this information, and all such information shall be entirely at the user's own risk. Prices and specifications are subject to change without notice. No patent rights or licenses to any of the circuits described herein are implied or granted to any third party. Stanford Microdevices does not authorize or warrant any Stanford Microdevices product for use in life-support devices and/or systems. Copyright 1999 Stanford Microdevices, Inc. All worldwide rights reserved.



The information provided herein is believed to be reliable at press time. Stanford Microdevices assumes no responsibility for inaccuracies or omissions. Stanford Microdevices assumes no responsibility for the use of this information, and all such information shall be entirely at the user's own risk. Prices and specifications are subject to change without notice. No patent rights or licenses to any of the circuits described herein are implied or granted to any third party. Stanford Microdevices does not authorize or warrant any Stanford Microdevices product for use in life-support devices and/or systems. Copyright 1999 Stanford Microdevices, Inc. All worldwide rights reserved.



The information provided herein is believed to be reliable at press time. Stanford Microdevices assumes no responsibility for inaccuracies or omissions. Stanford Microdevices assumes no responsibility for the use of this information, and all such information shall be entirely at the user's own risk. Prices and specifications are subject to change without notice. No patent rights or licenses to any of the circuits described herein are implied or granted to any third party. Stanford Microdevices does not authorize or warrant any Stanford Microdevices product for use in life-support devices and/or systems. Copyright 1999 Stanford Microdevices, Inc. All worldwide rights reserved.

**Absolute Maximum Ratings**

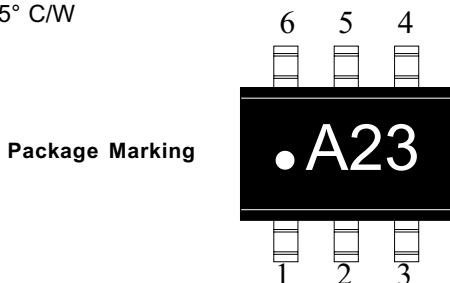
Parameter	Value	Unit
Supply Current	40	mA
Operating Temperature	-40 to +85	C
Maximum Input Power	+3	dBm
Storage Temperature Range	-40 to +85	C
Operating Junction Temperature	+125	C

**Caution:**



Operation of this device above any one of these parameters may cause permanent damage. Appropriate precautions in handling, packaging and testing devices must be observed.

Thermal Resistance (Lead-Junction):  
255° C/W



**Part Number Ordering Information**

Part Number	Reel Size	Devices/Reel
SGA-2363-TR1	7"	3000

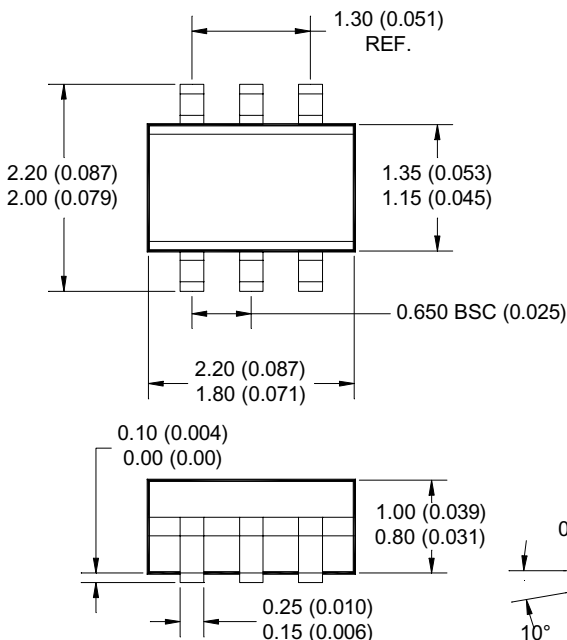
**Recommended Bias Resistor Values**

Supply Voltage(Vs)	3V	5V	7.5V	9V	12V
Rbias (Ohms)	15	115	240	315	465

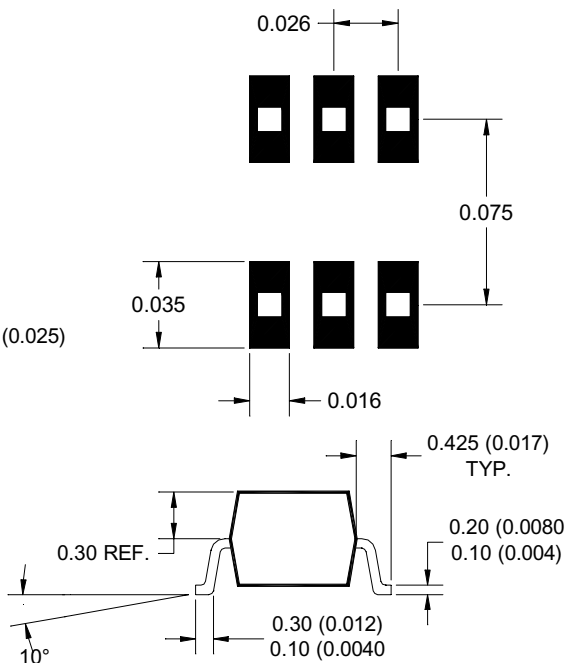
Pin Designation	
1	GND
2	GND
3	RF in
4	GND
5	GND
6	RF out

Note: Pin 1 is on lower left when you can read package marking

**Package Dimensions**



**Pad Layout**



The information provided herein is believed to be reliable at press time. Stanford Microdevices assumes no responsibility for inaccuracies or omissions. Stanford Microdevices assumes no responsibility for the use of this information, and all such information shall be entirely at the user's own risk. Prices and specifications are subject to change without notice. No patent rights or licenses to any of the circuits described herein are implied or granted to any third party. Stanford Microdevices does not authorize or warrant any Stanford Microdevices product for use in life-support devices and/or systems. Copyright 1999 Stanford Microdevices, Inc. All worldwide rights reserved.