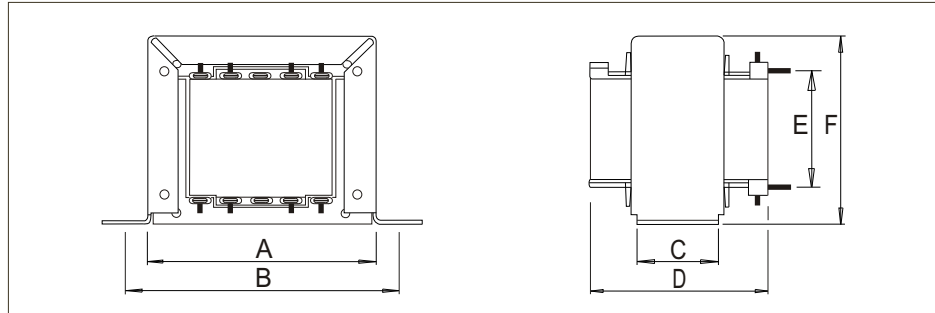


# Chassis Transformers



Power (VA)	Mass (kg)	Regulation (%)	A (mm)	B* (mm)	C (mm)	D (mm)	E (mm)	F (mm)
3	0.17	20	45	54	16	35	23	37
6	0.23	20	50	60	18	38	25	41
12	0.31	20	56	68	20	41	28	47
20	0.53	15	59	73	28	52	31	50
30	0.64	20	70	83	24	51	36	56
40	0.68	15	70	83	34	60	36	56
50	1	10	78	92	27	56	41	65

\*Recommended fixing centres

## Part Numbering System

### Example - L 003 C 15 I

#### Output Power

003 = 3VA  
006 = 6VA  
012 = 12VA  
020 = 20VA  
030 = 30VA  
040 = 40VA  
050 = 50VA

#### Style

C = chassis

#### Voltage Output

06 = 2x6V  
09 = 2x9V  
12 = 2x12V  
15 = 2x15V  
18 = 2x18V  
20 = 2x20V  
24 = 2x24V

#### Finish Options

T = Thermal cutout\*  
L = Flying leads\*  
I = Vacuum impregnation  
E = Additional Enveloping\*  
S = Single 230V Input

**Example L003C15I = Chassis mounted 115V/230V input, 2x15V output, 3VA transformer with vacuum impregnated varnish finish and solder tag termination.**

\* Available for certain sizes - please call for details.

- Input voltages, single 230V or dual 115V/230V 50/60Hz
- Reinforced isolation - tested at 3kVrms
- Transformers dip coated in varnish as standard
- Solder tag terminations
- Operational ambient temperature range -20°C to +50°C



**chassis  
transformers**

**CONTACT US NOW**

**UNITED KINGDOM**

**CRYDOM**

**T** +44 (0) 1202 897969

**F** +44 (0) 1202 891918

**E** [magnetics@crydom.com](mailto:magnetics@crydom.com)

**W** [www.crydom.co.uk](http://www.crydom.co.uk)