

G25 FlexPrint Connector – ZIF 0.5mm Pitch - SMT

Designed to save real estate, this Zero Insertion Force 0.5mm pitch FlexPrint Connector is ideal for 0.3mm flex print and is available from 4 to 50 circuits.

Materials

Housing – 94V-0 Nylon
 Contacts – P/B with 50µ" Ni
 Plating throughout – Tin/lead 100µ"
 Temperature – -20°C to 85°C

Electrical

Current – 0.5A
 Voltage – 50VRMS
 Withstand Voltage – 250VAC (1 min)
 Contact Resistance – 20mΩ max

Part Number System:

G25 XX X X X X X

FlexPrint Connector
0.5mm PITCH SMT ZIF

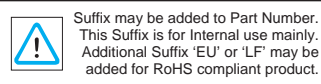
NUMBER OF POSITIONS
 04: 4 Position
 05: 5 Position
 .
 50: 50 Position

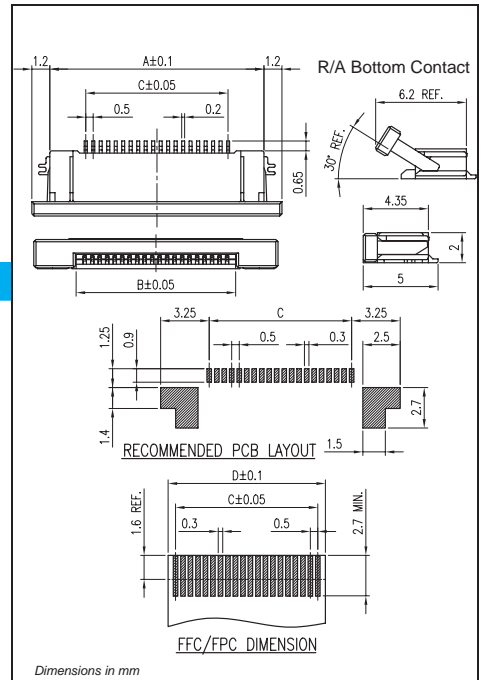
CONNECTOR STYLE
 1: Vertical
 2: Right angle

PACKAGING STYLE
 0: Tube
 1: Tape & Reel

CONTACT FINISH
 1: Tin/Lead over Nickel

FPC MATING
 0: None (Vertical only)
 1: Top Contact
 2: Bottom Contact





		PNS-2501 Rev.B /SLOT-G25XX22X-18 Rev.A																										
Positions		4	5	6	7	8	9	10	11	12	13	14	15	16	17	18	19	20	21	22	23	24	25	26	27			
Dim.	A	6.3	6.8	7.3	7.8	8.3	8.8	9.3	9.8	10.3	10.8	11.3	11.8	12.3	12.8	13.3	13.8	14.3	14.8	15.3	15.8	16.3	16.8	17.3	17.8			
	B	2.6	3.1	3.6	4.1	4.6	5.1	5.6	6.1	6.6	7.1	7.6	8.1	8.6	9.1	9.6	10.1	10.6	11.1	11.6	12.1	12.6	13.1	13.6	14.1			
	C	1.5	2.0	2.5	3.0	3.5	4.0	4.5	5.0	5.5	6.0	6.5	7.0	7.5	8.0	8.5	9.0	9.5	10.0	10.5	11.0	11.5	12.0	12.5	13.0			
	D	2.5	3.0	3.5	4.0	4.5	5.0	5.5	6.0	6.5	7.0	7.5	8.0	8.5	9.0	9.5	10.0	10.5	11.0	11.5	12.0	12.5	13.0	13.5	14.0			
Positions		28	29	30	31	32	33	34	35	36	37	38	39	40	41	42	43	44	45	46	47	48	49	50				
Dim.	A	18.3	18.8	19.3	19.8	20.3	20.8	21.3	21.8	22.3	22.8	23.3	23.8	24.3	24.8	25.3	25.8	26.3	26.8	27.3	27.8	28.3	28.8	29.3				
	B	14.6	15.1	15.6	16.1	16.6	17.1	17.6	18.1	18.6	19.1	19.6	20.1	20.6	21.1	21.6	22.1	22.6	23.1	23.6	24.1	24.6	25.1	25.6				
	C	13.5	14.0	14.5	15.0	15.5	16.0	16.5	17.0	17.5	18.0	18.5	19.0	19.5	20.0	20.5	21.0	21.5	22.0	22.5	23.0	23.5	24.0	24.5				
	D	14.5	15.0	15.5	16.0	16.5	17.0	17.5	18.0	18.5	19.0	19.5	20.0	20.5	21.0	21.5	22.0	22.5	23.0	23.5	24.0	24.5	25.0	25.5				

1mm FPC FlexPrint Connector – ZIF/LIF PCB/SMT

This system is available in both ZIF & LIF, PCB & SMT and Vertical & Right Angle.

Materials

Housing – 94V-0 Nylon
 Contacts – P/B with 50µ" Ni
 Plating throughout – Tin/lead 120µ"
 Temperature – -20°C to 85°C

Electrical

Current – 1A
 Voltage – 125VRMS
 Withstand Voltage – 500VAC (1 min)
 Contact Resistance – 20mΩ max

Part Number System:

XXXX XX X X X X X

1mm FlexPrint Connector

CONNECTOR TYPE
 G28: SMT ZIF Type
 G30C: PCB LIF Type

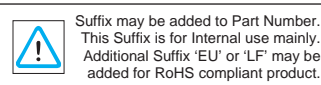
NUMBER OF POSITIONS
 03: 3 Position
 04: 4 Position
 .
 30: 30 Position
 31: 31 Position (G28 only)
 32: 32 Position (G28 only)

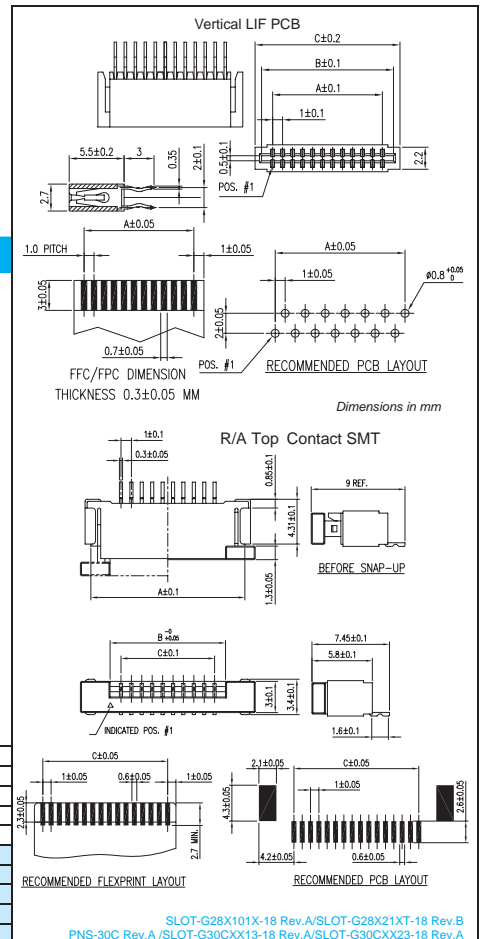
CONNECTOR STYLE
 1: Vertical
 2: Right angle

PACKAGING STYLE
 Blank: for G30C only
 1: Tape & Reel (G28 only)

FPC MATING
 0: None (Vertical only)
 1: Top Contact
 2: Bottom Contact

CONTACT FINISH
 1: Tin/Lead





Pos		3	4	5	6	7	8	9	10	11	12	13	14	15	16	17	18
Dim.	A	2.0	3.0	4.0	5.0	6.0	7.0	8.0	9.0	10.0	11.0	12.0	13.0	14.0	15.0	16.0	17.0
	B	4.2	5.2	6.2	7.2	8.2	9.2	10.2	11.2	12.2	13.2	14.2	15.2	16.2	17.2	18.2	19.2
	C	7.8	8.8	9.8	10.8	11.8	12.8	13.8	14.8	15.8	16.8	17.8	18.8	19.8	20.8	21.8	22.8
	D	5.5	6.5	7.5	8.5	9.5	10.5	11.5	12.5	13.5	14.5	15.5	16.5	17.5	18.5	19.5	20.5
Pos		19	20	21	22	23	24	25	26	27	28	29	30	31	32		
Dim.	A	18.0	19.0	20.0	21.0	22.0	23.0	24.0	25.0	26.0	27.0	28.0	29.0	30.0	31.0		
	B	20.2	21.2	22.2	23.2	24.2	25.2	26.2	27.2	28.2	29.2	30.2	31.2	32.2	33.2		
	C	23.8	24.8	25.8	26.8	27.8	28.8	29.8	30.8	31.8	32.8	33.8	34.8	35.8	36.8		
	D	21.5	22.5	23.5	24.5	25.5	26.5	27.5	28.5	29.5	30.5	31.5	32.5	33.5	34.5		

SLOT-G28X101X-18 Rev.A /SLOT-G28X21XT-18 Rev.B
 PNS-30C Rev.A /SLOT-G30CXX13-18 Rev.A /SLOT-G30CXX23-18 Rev.A