

| REV. | DESCRIPTION | DATE |
|------|-------------|------|
| | | |
| | | |

NOTE:

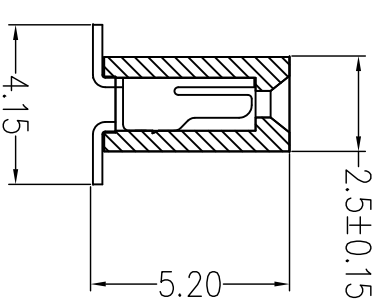
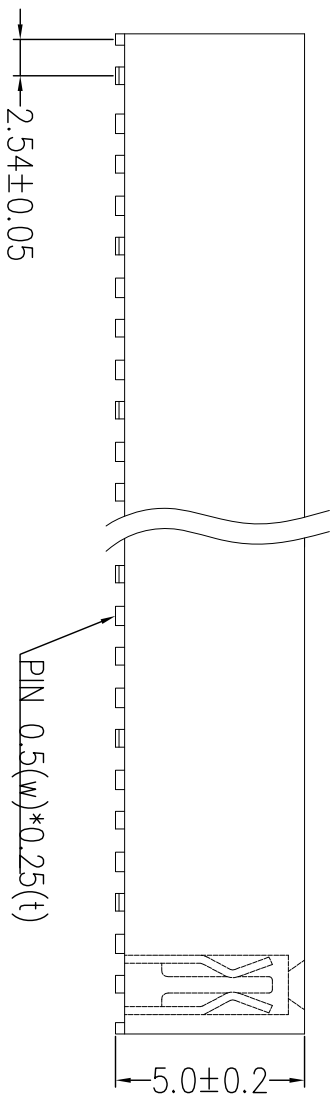
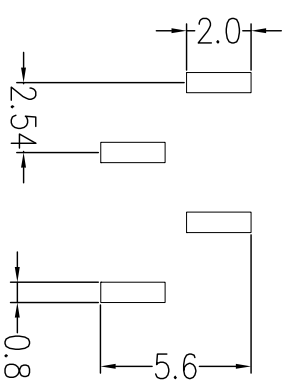
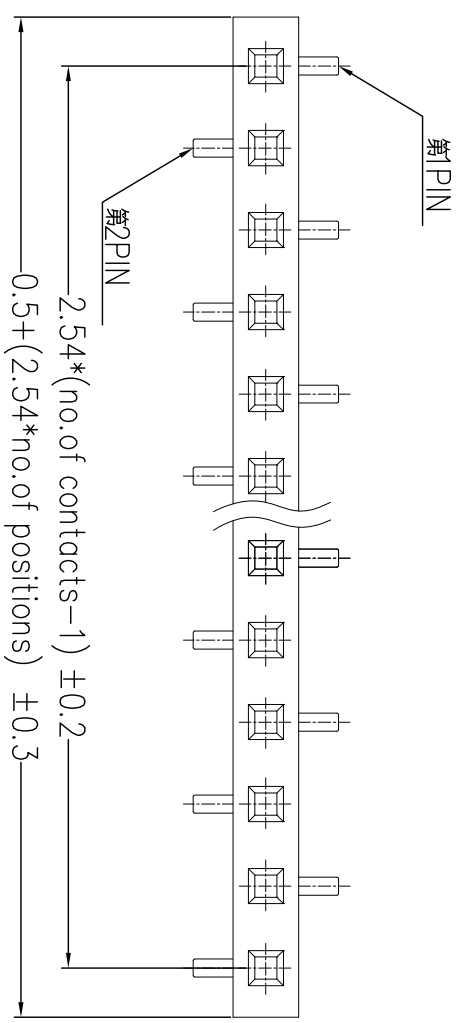
Material:

- 1.Housing: Polyester, UL94V-0.
- 2.Terminal: Copper alloy, Gold-plated.

Electrical:

- 1.Current rating: 3 Amp.
- 2.Contact resistance: 30mΩ Max.
- 3.Insulator resistance: 5000MΩ Min.
- 4.Dielectric withstand: AC 500 V.
- 5.Temperature: -40°C ~ +105°C

Available pins: 03~40 contacts



| | | |
|-----------------------------------|---|-------------------------------|
| DRAWER <i>Chiu Chuan Siu</i> | TOLERANCE | DRAWN NO. F2540-H50-SSMT |
| | CHECK <i>Shi Jung Siu</i> | |
| DESIGNED <i>Chiu Chuan Siu</i> | DATE 12 / 10 / 2010 | PART NO. F2540-H50-SSMT-XX |
| APPROVAL <i>Shiu Teng Siu</i> | NAME 2.54mm Female Header H:5.0 W:2.5 SMT type | |
| SCALE FREE | UNITS : mm | DRAWING NO. F2540-H50-SSMT |
| SIZE A4 | SHEET 1 OF 1 | REV. A |



日亮電子科技有限公司
Sun-light Electronic Technologies Inc