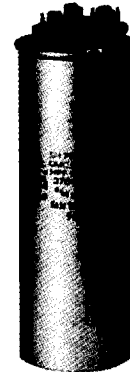


QMC/AMC Series are metallized polypropylene film capacitors these are designed primarily for use in motor run applications although they are also used in AC power supplies. The low dielectric losses, the inherent "selfhealing" property, and the greatly increased microfarad per unit volume make these designs ideal where reliability and small size are essential.

SPECIFICATIONS

- Capacitance : See table(on the pages of 60~62)
- Capacitance tolerance : ±5%
- Rated frequency : 50Hz and/or 60Hz
- Rated voltage : See table(on the pages of 60~62)
- Permissible temperature : -25°C ~ +85°C



Withstanding voltage

Items	Test voltage(RMS) VAC	Applying time Sec
Between terminals	Rated voltage × 1.75	60
Between terminals(tied together) and case	Rated voltage × 2 + 1000 (Minimum 1500)	60

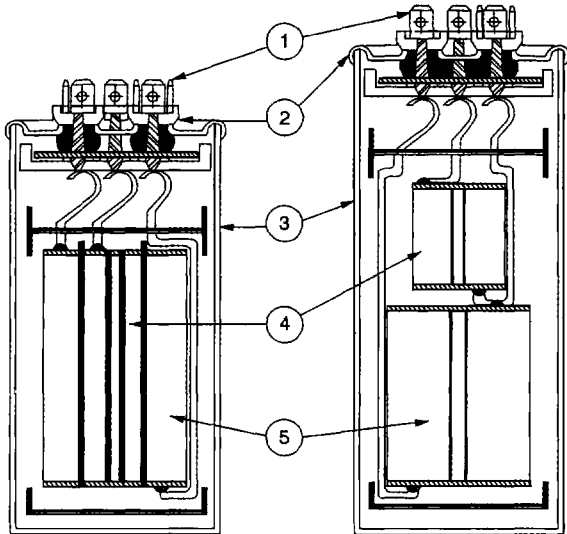
- Insulation resistance : Between the collected terminals and the case, 2000MΩ or greater (at 500VDC)
- Dissipation factor : 0.1% Max. at 60Hz, 20°C
- Seal ability : There shall be no oil leaks even if left 1 hour under a constant temperature of 85°C
- Internal protection : Pressure sensitive interrupter
- Fault current : 10000AFC

Dimensions of case style

Case style	D (mm)	E (mm)	F (mm)
N	40	43	16.0
O	45	48	16.0
M	50	53	20.6
Y	63	66	20.6

* AMC Series

* QMC Series



AMC capacitors are developed with the unique concentric winding technique and are most suitable for the place which needs space efficiency for mounting.

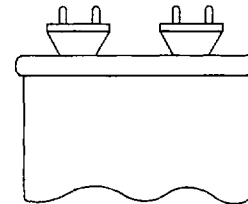
NO	PARTS
1	TERMINAL
2	COVER
3	CASE
4	SMALL CAPACITANCE
5	LARGE CAPACITANCE

MOUNTING CONSIDERATIONS FOR THE PRESSURE SENSITIVE INTERRUPTER

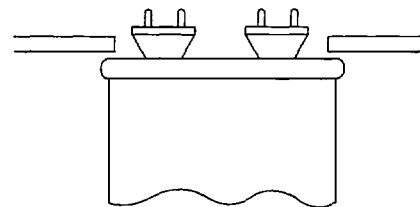
The proper operation of the pressure sensitive interrupter requires that the cover be allowed to bulge without restraint. If this expansion is restricted it may interfere with the pressure sensitive interrupter mechanism. The following should be considered when mounting capacitors containing the pressure sensitive interrupter.

There must be a clearance of at least 0.5 inches (12.7mm) between the tops of the terminals and/or the assembled wire connector and a plane perpendicular to the capacitor terminals. In addition, care should be taken to ensure that there still is adequate electrical clearance between the terminals and the overhead surface after pressure sensitive interrupter operation.

(a) Vertical Clearance

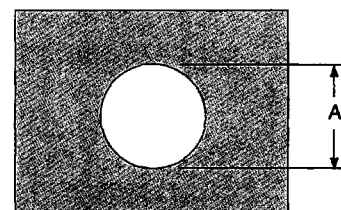


(b) Cut - Out Clearance



In certain cases capacitors are mounted with the top of the capacitor case resting on the chassis and the terminals protruding through the chassis. Care must be taken to see that the cut-out in the chassis is large enough. The following dimensions are recommended.

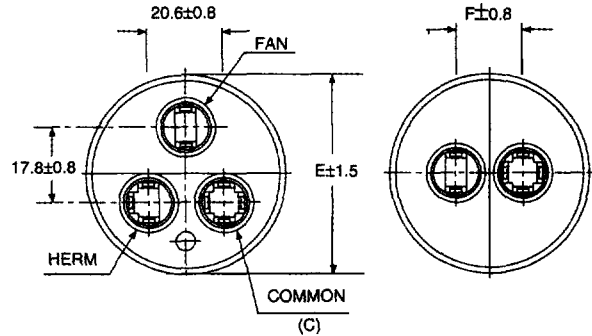
Case Style	A	
	INCH	mm
N	1.45	36.8
O	1.64	41.8
M	1.84	46.8
V	2.35	59.8



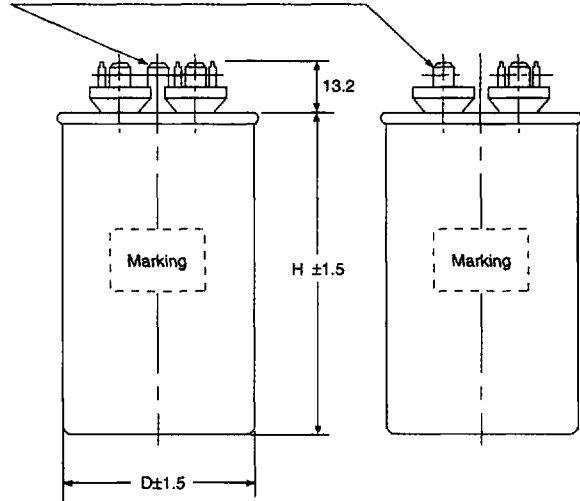
QMC/AMC SERIES

QMC 37H, 45H, 50H

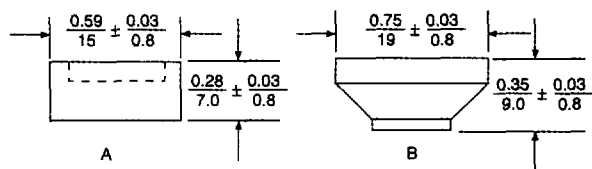
QMC-37H					QMC-45H				
370VAC					450VAC				
Rating (A/F)	Parts No.	Case	Height H		Rating (A/F)	Parts No.	Case	Height H	
			INCH	mm				INCH	mm
1.5/10	37H01100[B]	M	3.55	90	1.5/10	45H01070[B]	M	3.55	90
5/10	37H05100[B]	M	3.55	90	3/10	45H03080[B]	M	3.55	90
5/15	37H05150[B]	M	3.55	90	4/10	45H04100[B]	M	3.94	90
5/15	37H06150[B]	M	3.55	90	5/17.5	45H05175[B]	M	4.34	110
10/15	37H10150[B]	M	3.55	90	5/20	45H05200[B]	M	4.34	110
15/15	37H07200[B]	M	3.55	90	6/20	45H06200[B]	M	4.34	110
5/17.5	37H04250[B]	M	3.55	90	7.5/20	45H07520[B]	M	4.34	110
4/20	37H05250[B]	M	3.55	90	5/30	45H05300[B]	Y	4.34	110
5/20	37H06250[B]	M	3.55	90	6/30	45H06300[B]	Y	4.34	110
5/20	37H07250[B]	M	3.55	90	7.5/30	45H07300[B]	Y	4.34	110
7.5/20	37H07200[B]	M	3.55	90	5/35	45H05350[B]	Y	4.74	120
4/25	37H04250[B]	M	3.94	100	5/40	45H05400[B]	Y	4.74	120
5/25	37H05250[B]	M	3.94	100	5/45	45H05450[B]	Y	5.12	130
5/25	37H06250[B]	M	3.94	100	6/45	45H06450[B]	Y	5.12	130
7.5/25	37H07250[B]	M	3.94	100	15/45	45H05450[B]	Y	5.12	130
10/25	37H10250[B]	M	3.94	100	10/50	45H10500[B]	Y	5.12	130
15/25	37H15250[B]	M	3.94	100	5/55	45H05250[B]	Y	3.94	100
4/30	37H04300[B]	M	4.34	110	QMC-50H				
5/30	37H05300[B]	M	4.34	110	500VAC				
5/30	37H06300[B]	M	4.34	110	Rating (A/F)	Parts No.	Case	Height H	
7.5/30	37H07530[B]	M	4.34	110				INCH	mm
10/30	37H10300[B]	M	4.34	110	3/7	50H03070[B]	M	3.55	90
15/30	37H15300[B]	M	4.34	110	3/8	50H03080[B]	M	3.55	90
5/35	37H05350[B]	M	4.34	110	4/10	50H04100[B]	M	3.94	110
5/35	37H06350[B]	M	4.34	110	5/17.5	50H05175[B]	M	4.34	110
7.5/35	37H07350[B]	M	4.34	110	5/20	50H05200[B]	M	4.74	120
15/35	37H15350[B]	M	4.34	110	6/20	50H06200[B]	M	4.74	120
5/40	37H05400[B]	Y	4.74	120	7.5/20	50H07200[B]	M	4.74	120
5/45	37H05450[B]	Y	4.74	120	5/25	45H05250[B]	Y	4.74	120
6/45	37H06450[B]	Y	4.74	120	5/30	50H05300[B]	Y	4.74	120
7.5/45	37H07450[B]	Y	4.74	120	6/30	50H06300[B]	Y	4.74	120
15/45	37H15450[B]	Y	4.74	120	7.5/30	50H07300[B]	Y	4.74	120
10/50	37H10500[B]	Y	5.12	130	5/35	50H05350[B]	Y	5.12	130
15/50	37H15500[B]	Y	5.12	130	6/40	50H05400[B]	Y	4.74	135
					5/45	50H05450[B]	Y	6.34	160
					6/45	50H06450[B]	Y	6.34	160
					15/45	50H15450[B]	Y	6.34	160
					10/50	50H20500[B]	Y	6.34	160



AMP #250 Quick-Connector 2 or 3 or 4 Pin



Terminal Cover Style



NOTE : Terminal cover style

QMC/AMC SERIES

QMC 25H, 33H, 37H, 45H, 50H

Rating (μ F)	QMC-25H				QMC-33H				QMC-37H				QMC-45H				QMC-50H			
	220/250VAC				300/330VAC				350/370VAC				400/450VAC				500VAC			
	Parts No.	Case			Parts No.	Case			Parts No.	Case			Parts No.	Case			Parts No.	Case		
		Style	Height "H"			Style	Height "H"			Style	Height "H"			Style	Height "H"			Style	Height "H"	
QMC-	INCH	mm		QMC-	INCH	mm		QMC-	INCH	mm		QMC-	INCH	mm		QMC-	INCH	mm		
4	25H00040[A]	N	2.17	55	33H00040[A]	N	2.17	55	37H00040[A]	N	2.17	55	45H00040[A]	N	2.17	55	50H00040[A]	N	2.17	55
5	25H00050[A]	N	2.17	55	33H00050[A]	N	2.17	55	37H00050[A]	N	2.17	55	45H00050[A]	N	2.17	55	50H00050[A]	N	2.17	55
6	25H00060[A]	N	2.17	55	33H00060[A]	N	2.17	55	37H00060[A]	N	2.17	55	45H00060[A]	N	2.17	55	50H00060[A]	N	2.56	65
7	25H00070[A]	N	2.17	55	33H00070[A]	N	2.17	55	37H00070[A]	N	2.17	55	45H00070[A]	N	2.56	65	50H00070[A]	N	2.56	65
7.5	25H00075[A]	N	2.17	55	33H00075[A]	N	2.17	55	37H00075[A]	N	2.17	55	45H00075[A]	N	2.96	75	50H00075[A]	N	2.56	65
8	25H00080[A]	N	2.17	55	33H00080[A]	N	2.17	55	37H00080[A]	N	2.17	55	45H00080[A]	N	2.96	75	50H00080[A]	N	2.96	75
9	25H00090[A]	N	2.17	55	33H00090[A]	N	2.17	55	37H00090[A]	N	2.17	55	45H00090[A]	N	2.56	65	50H00090[A]	N	2.96	75
10	25H00100[A]	N	2.17	55	33H00100[A]	N	2.17	55	37H00100[A]	N	2.17	55	45H00100[A]	N	2.96	75	50H00100[A]	N	2.96	75
12.0	25H00120[A]	N	2.17	55	33H00120[A]	N	2.17	55	37H00120[A]	N	2.17	55	45H00120[A]	N	2.96	75	50H00120[A]	O	2.96	75
12.5	25H00125[A]	N	2.17	55	33H00125[A]	N	2.95	75	37H00125[A]	N	2.56	65	45H00125[A]	O	2.56	65	50H00125[A]	O	2.96	75
14.0	25H00140[A]	N	2.17	55	33H00140[A]	N	2.95	75	37H00140[A]	N	2.56	65	45H00140[A]	O	2.96	75	50H00140[A]	O	3.35	85
15.0	25H00150[A]	N	2.17	55	33H00150[A]	N	2.95	75	37H00150[A]	N	2.56	65	45H00150[A]	O	2.96	75	50H00150[A]	O	3.35	85
16.0	25H00160[A]	N	2.17	55	33H00160[A]	N	2.95	75	37H00160[A]	N	2.56	65	45H00160[A]	O	2.96	75	50H00160[A]	O	3.35	85
17.5	25H00175[A]	N	2.56	65	33H00175[A]	N	2.95	75	37H00175[A]	N	2.96	75	45H00175[A]	O	3.35	85	50H00175[B]	M	3.35	85
18.0	25H00180[A]	N	2.56	65	33H00180[A]	N	2.95	75	37H00180[A]	N	2.96	75	45H00180[A]	O	3.35	85	50H00180[B]	M	3.35	85
20.0	25H00200[A]	N	2.56	65	33H00200[A]	N	2.95	75	37H00200[A]	N	2.96	75	45H00200[A]	O	3.35	85	50H00200[B]	M	3.94	85
22.0	25H00220[A]	N	2.56	65	33H00220[A]	N	2.95	75	37H00220[A]	O	2.96	65	45H00220[B]	M	3.35	85	50H00220[B]	M	3.75	95
25.0	25H00250[A]	N	3.35	85	33H00250[A]	N	3.75	95	37H00250[A]	O	2.96	75	45H00250[B]	M	3.35	85	50H00250[B]	M	3.94	100
27.0	25H00100[A]	N	3.35	85	33H00100[A]	N	3.75	95	37H00100[A]	O	2.96	75	45H00270[B]	M	3.75	95	50H00270[B]	Y	2.96	75
30.0	25H00300[A]	N	3.35	85	33H00300[A]	N	3.75	95	37H00300[A]	O	3.35	85	45H00300[B]	M	3.75	95	50H00300[B]	Y	3.35	85
35.0	25H00350[A]	N	3.35	85	33H00350[A]	O	3.94	100	37H00350[A]	O	3.35	85	45H00350[B]	Y	3.35	85	50H00350[B]	Y	3.35	95
40.0	25H00400[A]	O	3.35	85	33H00400[A]	O	3.94	100	37H00400[B]	M	3.35	85	45H00400[B]	Y	3.35	85	50H00400[B]	Y	3.94	100
45.0	25H00450[A]	O	3.94	100	33H00450[B]	M	3.94	100	37H00450[B]	M	3.35	85	45H00450[B]	Y	3.75	95	50H00450[B]	Y	4.92	125
50.0	25H00500[A]	O	3.94	100	33H00500[B]	M	3.94	100	37H00500[B]	M	3.75	95	45H00500[B]	Y	3.94	100				
55.0	25H00550[A]	O	3.94	100	33H00550[B]	Y	3.94	100	37H00550[B]	Y	3.35	85	45H00550[B]	Y	3.94	100				
60.0	25H00600[A]	O	3.94	100	33H00600[B]	Y	3.94	100	37H00600[B]	Y	2.96	75								
65.0	25H00650[B]	M	3.94	100	33H00650[B]	Y	3.94	100	37H00650[B]	Y	3.35	85								
70.0	25H00700[B]	M	3.94	100	33H00700[B]	Y	3.94	100	37H00700[B]	Y	3.35	85								
75.0	25H00750[B]	M	3.94	100	33H00750[B]	Y	3.94	100												
80.0	25H00800[B]	M	3.94	100	33H00800[B]	Y	3.94	100												



NOTE : Terminal cover style

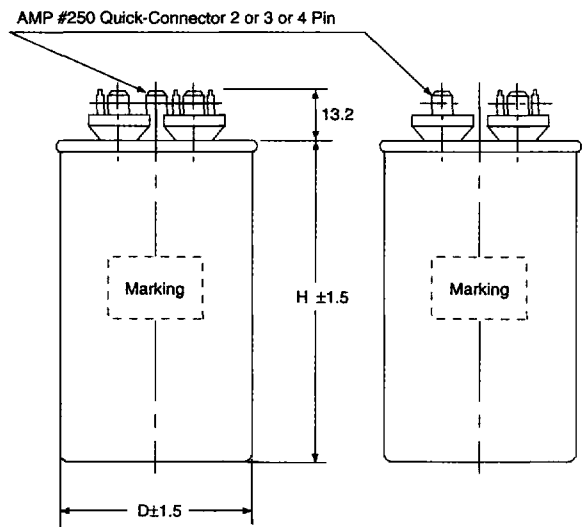
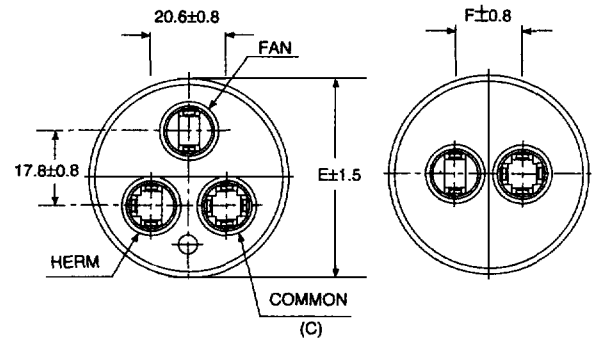
• These Specifications subject to change without notice for improvement

QMC/AMC SERIES

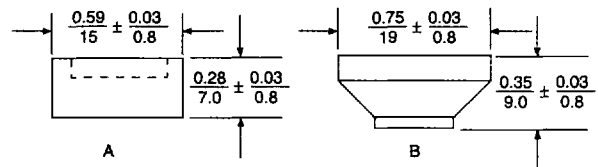
AMC 40F

AMC-40F							
370/400VAC							
Rating (μ F)	Parts No.	Case		Rating (μ F)	Parts No.	Case	
		Style	Height "H" INCH mm			Style	Height "H" INCH mm
15/1.5	40F0115Q[B]	M	2.56 65	30/5	40F0530Q[B]	M	3.75 95
20/1.5	40F0120Q[B]	M	2.56 65	35/5	40F0535Q[B]	M	3.94 100
25/1.5	40F0125Q[B]	M	2.56 65	40/5	40F0540Q[B]	M	3.94 100
30/1.5	40F0130Q[B]	M	2.96 75	25/6	40F0250Q[B]	M	3.75 95
35/1.5	40F0135Q[B]	M	2.96 85	30/6	40F0630Q[B]	M	3.75 95
30/2	40F0230Q[B]	M	2.96 75	35/6	40F0635Q[B]	M	3.94 100
20/3	40F0320Q[B]	M	2.56 65	40/6	40F0640Q[B]	M	3.94 100
25/3	40F0325Q[B]	M	2.56 85	20/7.5	40F0752Q[B]	M	3.35 85
30/3	40F0330Q[B]	M	2.96 75	25/7.5	40F07525[B]	M	2.96 75
35/3	40F0335Q[B]	M	3.35 85	30/7.5	40F0753Q[B]	M	3.75 95
15/4	40F0415Q[B]	M	2.56 65	35/7.5	40F07535[B]	M	3.94 100
20/4	40F0420Q[B]	M	2.96 75	40/7.5	40F0754Q[B]	M	3.94 100
25/4	40F0425Q[B]	M	3.35 85	45/7.5	40F07545[B]	M	3.94 100
30/4	40F0430Q[B]	M	2.96 75	25/10	40F1025Q[B]	M	3.35 100
35/4	40F0435Q[B]	M	3.75 95	30/10	40F1030Q[B]	M	3.94 85
20/5	40F0520Q[B]	M	2.96 75	35/10	40F1035Q[B]	M	3.94 100
25/5	40F0525Q[B]	M	3.35 85	40/10	40F1040Q[B]	M	3.94 100

AMC-45F							
450/450VAC							
Rating (μ F)	Parts No.	Case		Rating (μ F)	Parts No.	Case	
		Style	Height "H" INCH mm			Style	Height "H" INCH mm
15/2	45F0215Q[B]	M	3.35 86	40/7	45F0740Q[B]	Y	3.75 95
20/3	45F0320Q[B]	M	3.35 85	40/10	45F1040Q[B]	Y	3.75 95
25/4	45F0425Q[B]	M	3.75 95	45/15	45F1545Q[B]	Y	4.93 125
30/5	45F0530Q[B]	Y	3.35 85	50/15	45F1550Q[B]	Y	4.93 125
35/6	45F0635Q[B]	Y	3.75 95	55/15	45F1555Q[B]	Y	4.93 125



Terminal Cover Style



NOTE : Terminal cover style

• These Specifications subject to change without notice for improvement