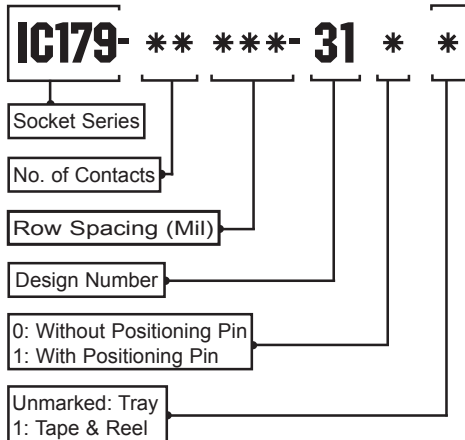
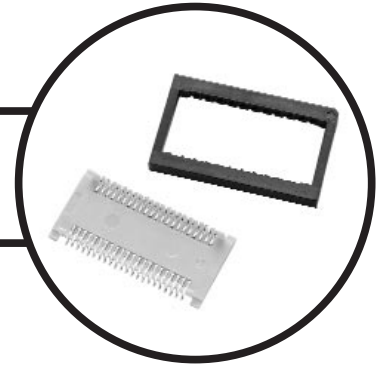


IC179 Series

Ordering Information



Characteristics

Current Rating:	1A
Insulation Resistance:	500MΩ Minimum at 500 VDC
Withstanding Voltage:	250 VAC for 1 minute
Contact Resistance:	30mΩ Max. at 10mA/20mV
Operating Temperature:	-55°C ~ +85°C
Mating Cycles:	10 Insertions

Materials and Finish

Insulator:	High Temp Thermoplastic-UL94V-0
Contact:	Copper Alloy
Plating:	Contacts: SnPb over Ni Terminals: SnPb over Ni
Accessories:	Lids (see page 39) Lid Placement Jigs (see page 39)

Features

1. Zero Insertion / Extraction force.
2. Low profile.
3. Matches IC Footprint.
4. Houses JEDEC standard packages.

Socket Dimensions (Reference Only)

Part Number	Contacts	Pitch	A	B	C	D	E	F	G
IC179-28375-310*	28	1.27mm	13.20	12.20	22.70	16.51	11.10	7.60	3.9
IC179-28450-31**	28	1.27mm	14.80	13.80	22.70	16.51	12.70	9.20	3.9
IC179-32525-31**	32	1.27mm	17.10	16.10	25.50	19.05	15.00	11.50	3.9

IC Dimensions (Reference Only)

Contacts	Pitch	A	B	C	D	E	Part Number
28	1.27mm	9.90 ~ 10.70	7.30 ~ 7.90	18.70	0.60 ~ 1.20	2.70	IC179-28375-31**
28	1.27mm	11.50 ~ 12.25	8.00 ~ 9.00	18.70	0.60 ~ 1.20	2.70	IC179-28450-31**
32	1.27mm	13.80 ~ 14.60	10.50 ~ 11.50	21.60	0.60 ~ 1.20	3.10	IC179-32525-31**

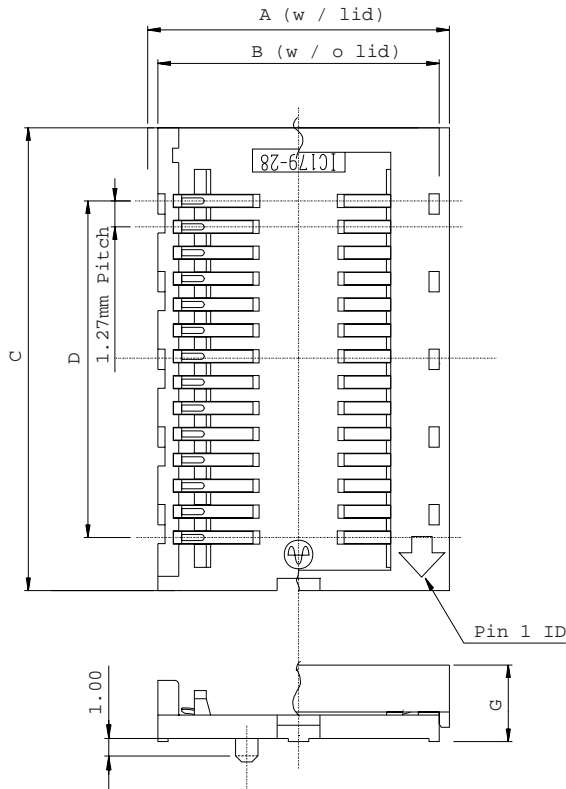
APPLICABLE DIMENSIONS

(Reference Only)

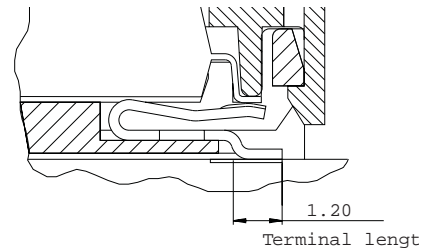
SOP Narrow Footprint SMT

IC179 Series

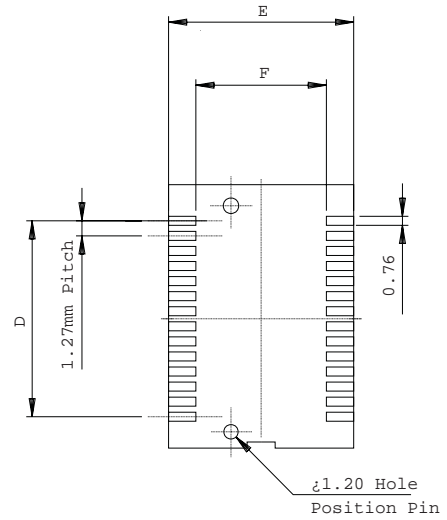
Socket Outline Dimensions



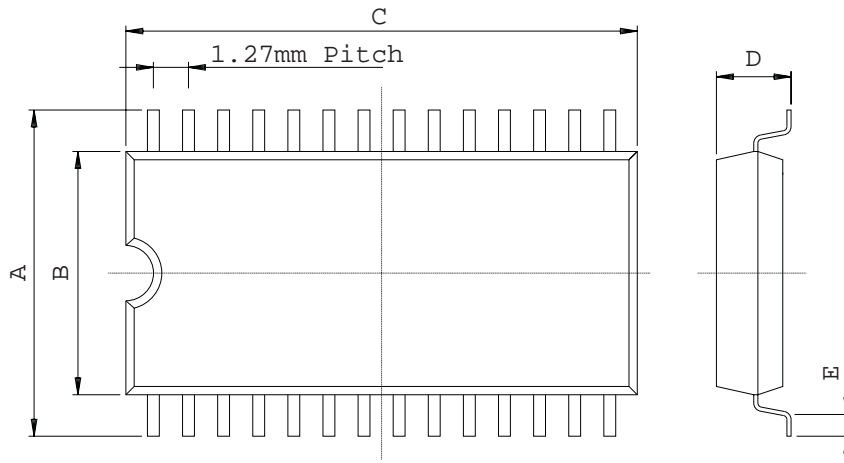
Contact Detail



PCB Layout



IC Outline Dimensions



Sockets