

# Band Switching Diodes

In DO-34 or ultra-mini package. Ultra-mini package is most suitable for small set. Low high frequency resistance and low capacitance between terminals.

## ●Glass-sealed Types

Part No.	Absolute maximum ratings (Ta=25°C)					Electrical characteristics (Ta=25°C)										Package
	Pd (mW)	VR (V)	Io (mA)	Tj (°C)	Tstg (°C)	VF (V) Max.		IR (nA) Max.		CT (pF) Max.		rF (Ω) Max.				
						IF (mA)	VR (V)	VR (V)	f (MHz)	IF (mA)	f (MHz)					
1S135	150	35	100	150	-55~+150	1.0	10	100	20	1.3	6	1	0.6	10	100	DO-34
1S265	150	35	100	150	-55~+150	1.0	10	100	20	1.5	10	1	0.6	10	100	USD

# Rectifier Diodes

Two packages : DO-41 glass and round molded, for 5mm pitch. For reverse surge absorption application, use rectifier diodes having high reverse surge resistance.

## ●General purpose rectifier diodes

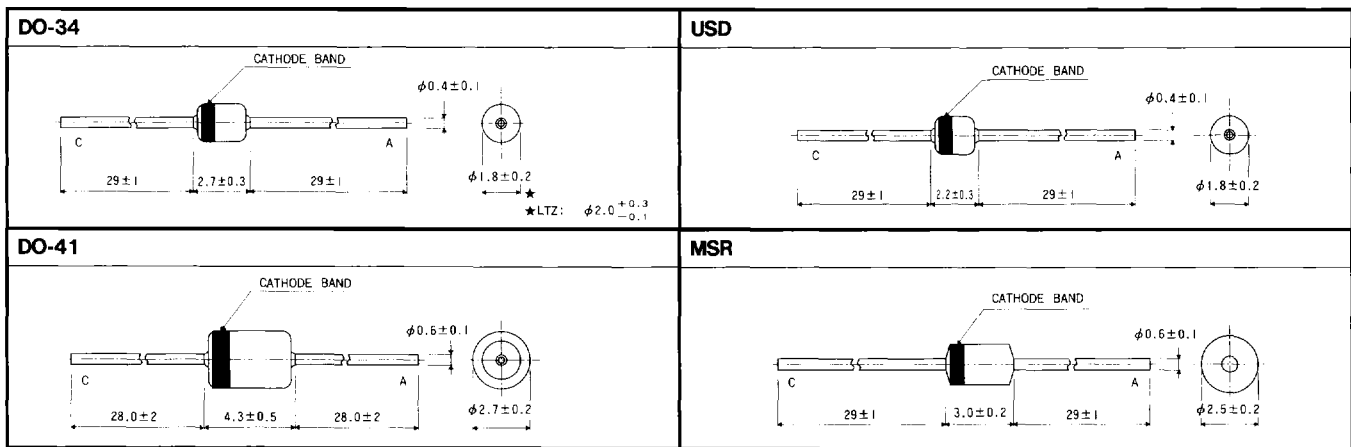
Part No.	Absolute maximum ratings (Ta=25°C)					Electrical characteristics (Ta=25°C)						Package
	VRSM (V)	VRM (V)	Io (A) *Ta=50°C	IFSM (A) 60Hz 1~	Tj (°C)	Tstg (°C)	VF (V) Max.		IR (μA) Max.			
							IF (A)	VR (V)	VR (V)	f (MHz)		
1SR35-100A	150	100	1*	30	175	-65~+175	1.1	1	10	100	DO-41	
1SR35-200A	300	200	1*	30	175	-65~+175	1.1	1	10	200	DO-41	
1SR35-400A	500	400	1*	30	175	-65~+175	1.1	1	10	400	DO-41	
1SR139-100	150	100	1	40	150	-40~+150	1.1	1	10	100	MSR	
1SR139-200	250	200	1	40	150	-40~+150	1.1	1	10	200	MSR	
1SR139-400	500	400	1	40	150	-40~+150	1.1	1	10	400	MSR	
1SR139-600	750	600	1	40	150	-40~+150	1.1	1	10	600	MSR	
1N4001A	75	50	1*	30	175	-65~+175	1.1	1	10	50	DO-41	
1N4002A	150	100	1*	30	175	-65~+175	1.1	1	10	100	DO-41	
1N4003A	300	200	1*	30	175	-65~+175	1.1	1	10	200	DO-41	
1N4004A	500	400	1*	30	175	-65~+175	1.1	1	10	400	DO-41	

## ●High-speed rectifier diodes

Part No.	Absolute maximum ratings (Ta=25°C)					Electrical characteristics (Ta=25°C)							Package	
	VRSM (V)	VRM (V)	Io (A)	IFSM (A) 60Hz 1~	Tj (°C)	Tstg (°C)	VF (V) Max.		IR (μA) Max.		trr (μs) Max.			
							IFM (A)	VRM (V)	VRM (V)	f (MHz)	IF (mA)	IR (mA)		
1SR124-100A	150	100	1	30	150	-65~+175	1.3	1	10	100	0.4	10	10	DO-41
1SR124-200A	300	200	1	30	150	-65~+175	1.3	1	10	200	0.4	10	10	DO-41
1SR124-400A	500	400	1	30	150	-65~+175	1.3	1	10	400	0.4	10	10	DO-41
New 1SR153-100	150	100	0.8	30	150	-40~+150	1.3	0.8	10	100	0.4	10	10	MSR
New 1SR153-200	300	200	0.8	30	150	-40~+150	1.3	0.8	10	200	0.4	10	10	MSR
New 1SR153-400	500	400	0.8	30	150	-40~+150	1.3	0.8	10	400	0.4	10	10	MSR

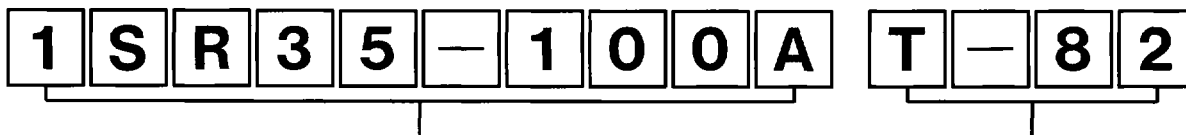
## ●Ultra High-speed rectifier diodes

Part No.	Absolute maximum ratings (Ta=25°C)					Electrical characteristics (Ta=25°C)							Package	
	VRSM (V)	VRM (V)	Io (A)	IFSM (A) 60Hz 1~	Tj (°C)	Tstg (°C)	VF (V) Max.		IR (μA) Max.		trr (μs) Max.			
							IFM (A)	VRM (V)	VRM (V)	f (MHz)	IF (mA)	IR (mA)		
R0503C-02	200	200	5	50	150	-40~+150	0.98	5	100	200	35	100	100	TO-220FF
New R0503D-02	200	200	5	50	150	-40~+150	0.98	2.5	100	200	35	100	100	TO-220FF



## ●Packaging (Ex.)

When ordering, specify the part No. and packaging specifications.



Part No.

Packaging

Bulk : Blank(TO-220FD : Bulk only)

Package	Packaging specifications
DO-34	Radial taping
USD	Axial taping
	Forming
DO-41	Radial taping
MSR	Axial taping
	Forming